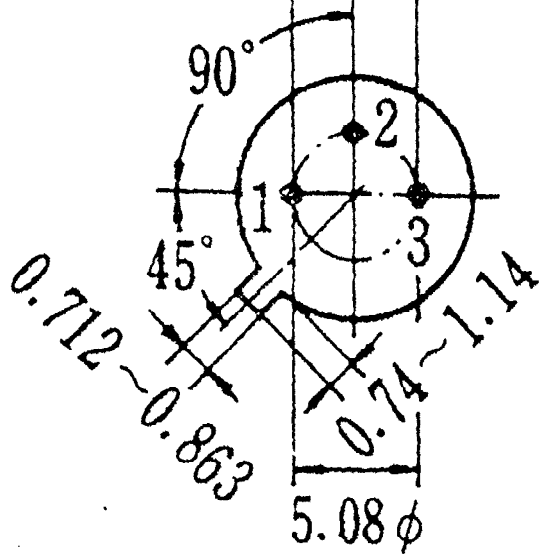
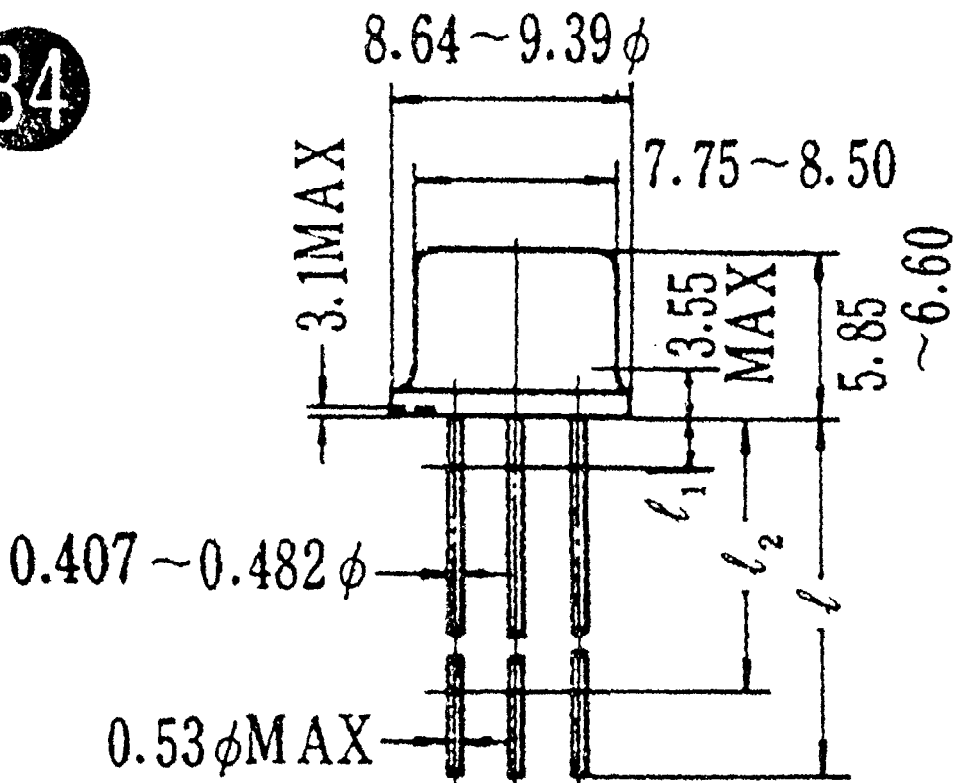


型名	公司名稱	用途	構造	最大額定 (T _a = 25°C)					電氣特性的 (T _a = 25°C)										外觀						
				V _{CEO} (V)	V _{CE0} (V)	I _C (mA)	P _C (mW)	T _J (°C)	I _{CEO} (μA)	V _{CEB} (V)	直流或脈衝 I _C (mA)	V _{CE} (V)	I _C (mA)	V _{CEB} (V)	I _{EB} (mA)	h _{FE}	h _{FE}	h _{FE} (Ω)		h _{FE} (×10 ⁻⁴)	h _{FE} (μS)	f _T * (MHz)	C _{ob} (pF)	T _{AB} (ns)	
" 98	松下	RF SW	Si.EP	20	15X	100	300	175	0.1	20	45	0.35	10	2	-10										49C
" 99	"	"	"	20	15X	100	300	175	0.1	20	80	0.35	10	2	-10										49C
" 100	日電	RF.SW	Si.E	40	15	200	150	200	0.025	20	60	1	10	10	-10										23
" 101	東芝	RF	Si.Me	60	60R	2 A	60W (T _e =25°C)	150	10mA	20				10	-0.5A										101
" 102	"	"	"	50	40R	7 A	100W (T _e =25°C)	150	45mA	50				10	-0.5A										109
" 103	"	SW	Si.P	25	20R	50	250	175	1	15	35	1	10												49C
" 103A	"	"	"	30	30R	80	250	175	0.2	15	100	1	10												49C
" 104	"	RF	"	25		50	250	175	1	15				10	-10										49C
" 104A	"	"	"	30	30R	80	250	175	0.2	15	60	1	10												49C
" 105	"	"	"	30	30R	80	250	175	0.005	15	35	1	0.1	10	-10										49C
" 106	"	SW.PA	Si.E	60	60R	1.5A (T _e =25°C)	15W (T _e =25°C)	150	3mA	30	20	5	0.5A	12	-200										83
" 107	"	"	"	60	60R	1 A (T _e =25°C)	15W (T _e =25°C)	150	3mA	30	20	5	0.5A	12	-200										83
" 108	"	RF.SW	Si.EMe	90	45	600	600	150	1	30	35	2	150	10	-10										84A
" 109	"	SW	"	50	25	600	600	150	1	30	35	2	150												84A
" 110	日立	RF.PA	Si.Me	40	40S	200	750	175	1	20				6	-10										84A
" 111	"	"	"	50	50S	200	750	175	1	20				6	-10										84A
" 112	"	SW	"	40	40S	200	750	175	1	20	50	2	200												84A
" 113	"	"	"	50	50S	200	750	175	1	20	50	2	200												84A
" 114	"	"	"	50	50S	200	750	175	1	20	50	2	200												84A
" 115	ソニー	RF	Si.EMe	30	25	50	750	175	3	30	50	5	3	20	-10										84B
" 116	日立	RF.PA	"	50	25	200	750	175	1	20	40	2	200	6	-10										84A
" 117	"	SW.PA	Si.TP	75	50	600	13W (T _e =25°C)	175	5	40	40	15	30	15	-30										83
" 118	"	PA	"	80	60	600	13W (T _e =25°C)	175	5	40				15	-30										83
" 119	"	"	"	75	50	600	13W (T _e =25°C)	175	5	40				15	-30										83
" 120	日電	RF	Si.E	40	25	25	250	150	0.1	10	40	10	0.05	10	-1										84B
" 121	"	RF.Conv.Mix	"	40	25	25	250	175	1	30				10	-1										84B
" 122	"	"	"	40	25	25	250	175	1	30				10	-1										84B
" 123	"	"	"	40	25	25	250	175	1	30				10	-1										84B
" 124	"	"	"	40	25	25	250	175	0.2	30	40	10	0.05	10	-1										84B
" 125	"	RF.SW	Si.EMe	100	100	50	750	175	3	30	50	5	3	20	-10										84C

www.Datasheet4U.com

www.Datasheet4U.com

84



EIAJ標準外形
 TC-5
 TB-5A }
 TB-5B }
 TB-5C }

對照文字	A	B	C
l	38.1 MIN	19.0 MIN	12.5 MIN
l_1	1.27 MAX	1.27 MAX	1.27 MAX
l_2	25.4 MIN	12.7 MIN	6.35 MIN