

Silicon NPN Power Transistors

BU208A

DESCRIPTION

- With TO-3 package
- High voltage ,high speed

APPLICATIONS

- For use in horizontal deflection output stages for color TV receives.

PINNING(see fig.2)

PIN	DESCRIPTION
1	Base
2	Emitter
3	Collector

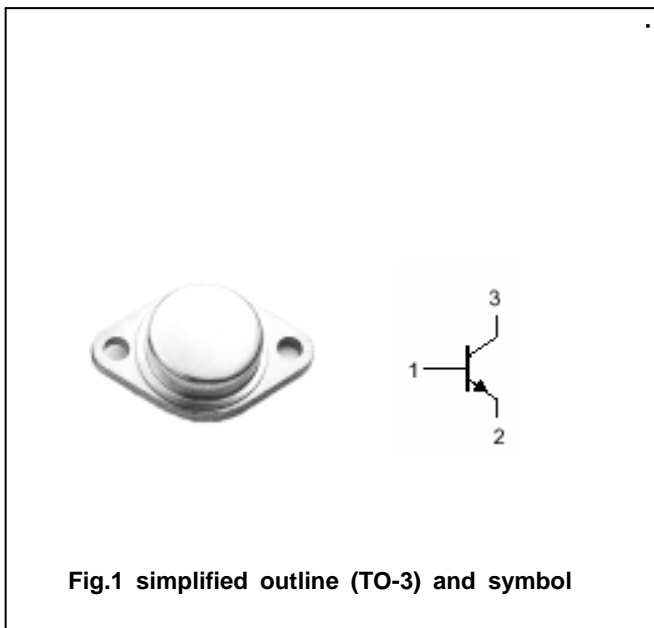


Fig.1 simplified outline (TO-3) and symbol

Absolute maximum ratings(Ta= )

SYMBOL	PARAMETER	CONDITIONS	VALUE	UNIT
$V_{CBO}$	Collector-base voltage	Open emitter	1500	V
$V_{CEO}$	Collector-emitter voltage	Open base	700	V
$V_{EBO}$	Emitter-base voltage	Open collector	5	V
$I_C$	Collector current		5	A
$I_{CM}$	Collector current-peak		7.5	A
$I_B$	Base current		0.1	A
$I_{BM}$	Base current-peak		2.5	A
$P_T$	Total power dissipation	$T_C=25$	150	W
$T_j$	Junction temperature		115	
$T_{stg}$	Storage temperature		-65~150	

THERMAL CHARACTERISTICS

SYMBOL	PARAMETER	MAX	UNIT
$R_{th\ j-c}$	Thermal resistance junction to case	1.0	/W

## Silicon NPN Power Transistors

## BU208A

## CHARACTERISTICS

T<sub>j</sub>=25 unless otherwise specified

SYMBOL	PARAMETER	CONDITIONS	MIN	TYP.	MAX	UNIT
V <sub>CE0(SUS)</sub>	Collector-emitter sustaining voltage	I <sub>C</sub> =0.1A; I <sub>B</sub> =0; L=25mH	700			V
V <sub>(BR)EBO</sub>	Emitter-base breakdown voltage	I <sub>E</sub> =10mA; I <sub>C</sub> =0	5			V
V <sub>CEsat</sub>	Collector-emitter saturation voltage	I <sub>C</sub> =4.5 A; I <sub>B</sub> =2 A			1.0	V
V <sub>BEsat</sub>	Base-emitter saturation voltage	I <sub>C</sub> =4.5 A; I <sub>B</sub> =2 A			1.5	V
I <sub>CES</sub>	Collector cut-off current	V <sub>CE</sub> =1500V; V <sub>BE</sub> =0			1.0	mA
I <sub>EBO</sub>	Emitter cut-off current	V <sub>EB</sub> =5V; I <sub>C</sub> =0			0.1	mA
h <sub>FE-1</sub>	DC current gain	I <sub>C</sub> =1A ; V <sub>CE</sub> =5V	8			
h <sub>FE-2</sub>	DC current gain	I <sub>C</sub> =4.5A ; V <sub>CE</sub> =5V	2.25			
C <sub>OB</sub>	Output capacitance	I <sub>E</sub> =0; V <sub>CB</sub> =10V; f=1MHz		125		pF
f <sub>T</sub>	Transition frequency	I <sub>C</sub> =0.1A ; V <sub>CE</sub> =15V		7		MHz
t <sub>s</sub>	Storage time	I <sub>C</sub> =4.5A ; I <sub>B</sub> =1.8A L <sub>B</sub> =10 μ H			10	μ s
t <sub>f</sub>	Fall time				0.7	μ s

PACKAGE OUTLINE

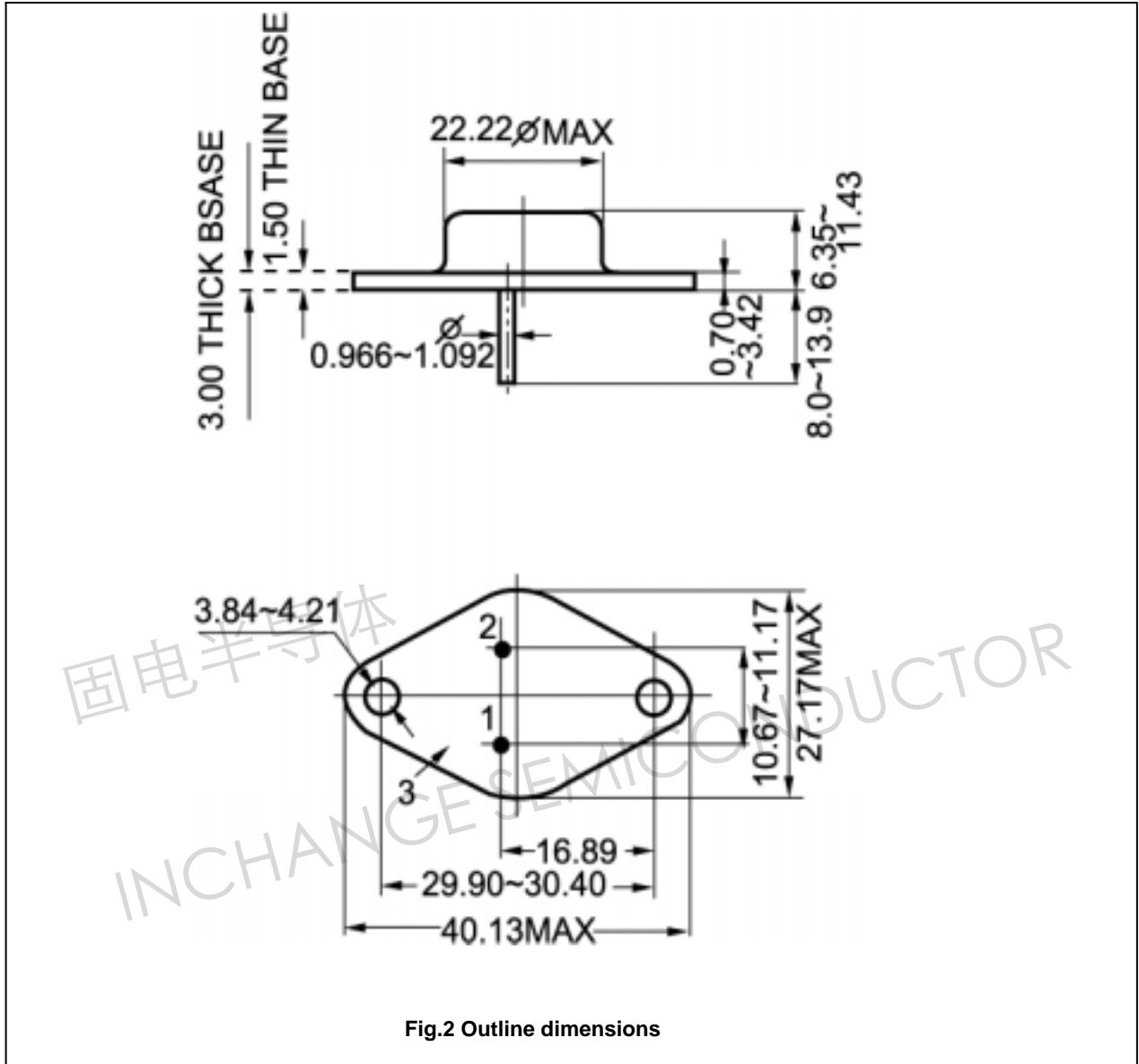


Fig.2 Outline dimensions