

## REPETITIVE AVALANCHE AND $dv/dt$ RATED HEXFET® TRANSISTOR

## IRHF7310SE

### N-CHANNEL SINGLE EVENT EFFECT (SEE) RAD HARD

#### 400 Volt, 4.5Ω, (SEE) RAD HARD HEXFET

International Rectifier's (SEE) RAD HARD technology HEXFETs demonstrate virtual immunity to SEE failure. Additionally, under **identical** pre- and post-radiation test conditions, International Rectifier's RAD HARD HEXFETs retain **identical** electrical specifications up to  $1 \times 10^5$  Rads (Si) total dose. No compensation in gate drive circuitry is required. These devices are also capable of surviving transient ionization pulses as high as  $1 \times 10^{12}$  Rads (Si)/Sec, and return to normal operation within a few microseconds. Since the SEE process utilizes International Rectifier's patented HEXFET technology, the user can expect the highest quality and reliability in the industry.

RAD HARD HEXFET transistors also feature all of the well-established advantages of MOSFETs, such as voltage control, very fast switching, ease of paralleling and temperature stability of the electrical parameters.

They are well-suited for applications such as switching power supplies, motor controls, inverters, choppers, audio amplifiers and high-energy pulse circuits in space and weapons environments.

#### Product Summary

Part Number	BV <sub>DSS</sub>	R <sub>DS(on)</sub>	I <sub>D</sub>
IRHF7310SE	400V	4.5Ω	1.15A

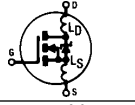
#### Features:

- Radiation Hardened up to  $1 \times 10^5$  Rads (Si)
- Single Event Burnout (SEB) Hardened
- Single Event Gate Rupture (SEGR) Hardened
- Gamma Dot (Flash X-Ray) Hardened
- Neutron Tolerant
- Identical Pre- and Post-Electrical Test Conditions
- Repetitive Avalanche Rating
- Dynamic  $dv/dt$  Rating
- Simple Drive Requirements
- Ease of Paralleling
- Hermetically Sealed

#### Absolute Maximum Ratings

	Parameter	IRHF7310SE	Units
I <sub>D</sub> @ V <sub>GS</sub> = 12V, T <sub>C</sub> = 25°C	Continuous Drain Current	1.15	A
I <sub>D</sub> @ V <sub>GS</sub> = 12V, T <sub>C</sub> = 100°C	Continuous Drain Current	0.70	
I <sub>DM</sub>	Pulsed Drain Current ①	4.6	
P <sub>D</sub> @ T <sub>C</sub> = 25°C	Max. Power Dissipation	15	W
	Linear Derating Factor	2.0	W/K ⑤
V <sub>GS</sub>	Gate-to-Source Voltage	±20	V
EAS	Single Pulse Avalanche Energy ②	75	mJ
$dv/dt$	Peak Diode Recovery $dv/dt$ ③	4.0	V/ns
T <sub>J</sub>	Operating Junction	-55 to 150	
T <sub>STG</sub>	Storage Temperature Range		
	Lead Temperature	300 (0.063 in. (1.6mm) from case for 10 sec.)	°C
	Weight	0.98 (typical)	g

Electrical Characteristics @ T<sub>j</sub> = 25°C (Unless Otherwise Specified)

	Parameter	Min.	Typ.	Max.	Units	Test Conditions
BV <sub>DSS</sub>	Drain-to-Source Breakdown Voltage	400	—	—	V	V <sub>GS</sub> = 0V, I <sub>D</sub> = 1.0 mA
ΔBV <sub>DSS</sub> /ΔT <sub>J</sub>	Temperature Coefficient of Breakdown Voltage	—	0.37	—	V/°C	Reference to 25°C, I <sub>D</sub> = 1.0 mA
R <sub>DS(on)</sub>	Static Drain-to-Source	—	—	4.5	Ω	V <sub>GS</sub> = 12V, I <sub>D</sub> = 0.7A V <sub>GS</sub> = 12V, I <sub>D</sub> = 1.15A ④
	On-State Resistance	—	—	5.2		
V <sub>GS(th)</sub>	Gate Threshold Voltage	2.5	—	4.5	V	V <sub>DS</sub> = V <sub>GS</sub> , I <sub>D</sub> = 1.0 mA
g <sub>fs</sub>	Forward Transconductance	0.2	—	—	S (r)	V <sub>DS</sub> > 15V, I <sub>DS</sub> = 0.7A ④
I <sub>DSS</sub>	Zero Gate Voltage Drain Current	—	—	50	μA	V <sub>DS</sub> = 0.8 x Max Rating, V <sub>GS</sub> = 0V V <sub>DS</sub> = 0.8 x Max Rating V <sub>GS</sub> = 0V, T <sub>J</sub> = 125°C
		—	—	250		
I <sub>GSS</sub>	Gate-to-Source Leakage Forward	—	—	100	nA	V <sub>GS</sub> = 20V
I <sub>GSS</sub>	Gate-to-Source Leakage Reverse	—	—	-100	nA	V <sub>GS</sub> = -20V
Q <sub>g</sub>	Total Gate Charge	—	—	10	nC	V <sub>GS</sub> = 12V, I <sub>D</sub> = 1.15A V <sub>DS</sub> = Max. Rating x 0.5
Q <sub>gs</sub>	Gate-to-Source Charge	—	—	3		
Q <sub>gd</sub>	Gate-to-Drain ("Miller") Charge	—	—	6		
t <sub>d(on)</sub>	Turn-On Delay Time	—	—	15	ns	V <sub>DD</sub> = 200V, I <sub>D</sub> = 1.15A, R <sub>G</sub> = 7.5Ω
t <sub>r</sub>	Rise Time	—	—	20		
t <sub>d(off)</sub>	Turn-Off Delay Time	—	—	35		
t <sub>f</sub>	Fall Time	—	—	30		
L <sub>D</sub>	Internal Drain Inductance	—	5.0	—	nH	<p>Measured from the drain lead, 6mm (0.25 in.) from package to center of die.</p> <p>Modified MOSFET symbol showing the internal inductances.</p> 
L <sub>S</sub>	Internal Source Inductance	—	15	—		
C <sub>iss</sub>	Input Capacitance	—	215	—	pF	V <sub>GS</sub> = 0V, V <sub>DS</sub> = 25V f = 1.0 MHz
C <sub>oss</sub>	Output Capacitance	—	65	—		
C <sub>rss</sub>	Reverse Transfer Capacitance	—	—	—		

## Source-Drain Diode Ratings and Characteristics

	Parameter	Min.	Typ.	Max.	Units	Test Conditions
I <sub>S</sub>	Continuous Source Current (Body Diode)	—	—	1.15	A	Modified MOSFET symbol showing the integral reverse p-n junction rectifier.
I <sub>SM</sub>	Pulse Source Current (Body Diode) ①	—	—	4.6		
V <sub>SD</sub>	Diode Forward Voltage	—	—	1.4	V	T <sub>j</sub> = 25°C, I <sub>S</sub> = 1.15A, V <sub>GS</sub> = 0V ④
t <sub>rr</sub>	Reverse Recovery Time	—	—	540	ns	T <sub>j</sub> = 25°C, I <sub>F</sub> = 1.15A, di/dt ≤ 100A/μs V <sub>DD</sub> ≤ 50V ④
Q <sub>RR</sub>	Reverse Recovery Charge	—	—	4.5	μC	
t <sub>on</sub>	Forward Turn-On Time	Intrinsic turn-on time is negligible. Turn-on speed is substantially controlled by L <sub>S</sub> + L <sub>D</sub> .				

## Thermal Resistance

	Parameter	Min.	Typ.	Max.	Units	Test Conditions
R <sub>thJC</sub>	Junction-to-Case	—	—	8.3	K/W <sup>⑤</sup>	
R <sub>thJA</sub>	Junction-to-Ambient	—	—	175		

### Radiation Performance of Rad Hard HEXFETs

International Rectifier Radiation Hardened HEXFETs are tested to verify their hardness capability. The hardness assurance program at International Rectifier uses two radiation environments.

Every manufacturing lot is tested in a low dose rate (total dose) environment per MIL-STD-750, test method 1019. International Rectifier has imposed a standard gate voltage of 12 volts per note 6 and a  $V_{DSS}$  bias condition equal to 80% of the device rated voltage per note 7. Pre- and post-radiation limits of the devices irradiated to  $1 \times 10^5$  Rads (Si) are identical and are presented in Table 1. The values in Table 1 will be met for either of the two low dose rate test circuits that are used.

Both pre- and post-radiation performance are tested and specified using the same drive circuitry and test conditions in order to provide a direct comparison. It should be noted that at a radiation level of  $1 \times 10^5$  Rads (Si), no change in limits are specified in DC parameters.

High dose rate testing may be done on a special request basis, using a dose rate up to  $1 \times 10^{12}$  Rads (Si)/Sec.

International Rectifier radiation hardened HEXFETs have been characterized in neutron and heavy ion Single Event Effects (SEE) environments. Single Event Effects characterization is shown in Table 3.

**Table 1. Low Dose Rate** ⑥ ⑦

		IRHF7310SE		Units	Test Conditions ⑩
Parameter		100K Rads (Si)			
		min.	max.		
$BV_{DSS}$	Drain-to-Source Breakdown Voltage	400	—	V	$V_{GS} = 0V, I_D = 1.0 \text{ mA}$
$V_{GS(th)}$	Gate Threshold Voltage ④	2.0	4.5		$V_{GS} = V_{DS}, I_D = 1.0 \text{ mA}$
$I_{GSS}$	Gate-to-Source Leakage Forward	—	100	nA	$V_{GS} = 20V$
$I_{GSS}$	Gate-to-Source Leakage Reverse	—	-100		$V_{GS} = -20V$
$I_{DSS}$	Zero Gate Voltage Drain Current	—	50	$\mu A$	$V_{DS} = 0.8 \times \text{Max Rating}, V_{GS} = 0V$
$R_{DS(on)1}$	Static Drain-to-Source ④ On-State Resistance One	—	6.5	$\Omega$	$V_{GS} = 12V, I_D = 0.6A$
$V_{SD}$	Diode Forward Voltage ④	—	1.4	V	$T_C = 25^\circ C, I_S = 1.0A, V_{GS} = 0V$

**Table 2. High Dose Rate** ⑧

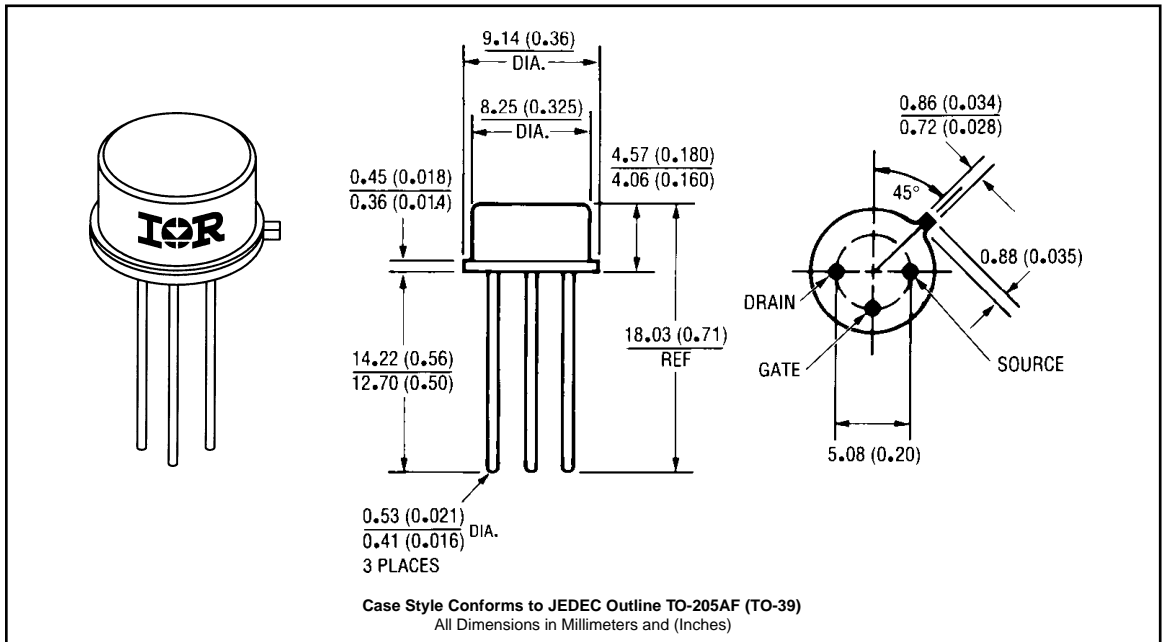
Parameter	Parameter	10 <sup>11</sup> Rads (Si)/sec		10 <sup>12</sup> Rads (Si)/sec		Units	Test Conditions		
		Min.	Typ	Max.	Min.			Typ.	Max.
$V_{DSS}$	Drain-to-Source Voltage	—	—	320	—	—	320	V	Applied drain-to-source voltage during gamma-dot
$I_{PP}$		—	—	—	—	—	—	A	Peak radiation induced photo-current
di/dt		—	—	—	—	—	—	A/ $\mu$ sec	Rate of rise of photo-current
$L_1$		20	—	—	137	—	—	$\mu H$	Circuit inductance required to limit di/dt

**Table 3. Single Event Effects** ⑨

Parameter	Typ.	Units	Ion	LET (Si) (MeV/mg/cm <sup>2</sup> )	Fluence (ions/cm <sup>2</sup> )	Range ( $\mu m$ )	$V_{DS}$ Bias (V)	$V_{GS}$ Bias (V)
$BV_{DSS}$	400	V	Ni	28	$1 \times 10^6$	~35	320	-5

- ① Repetitive Rating; Pulse width limited by maximum junction temperature.  
Refer to current HEXFET reliability report.
- ② @  $V_{DD} = 50V$ , Starting  $T_J = 25^\circ C$ ,  
 $E_{AS} = [0.5 * L * (I_L^2) * [BV_{DSS}/(BV_{DSS}-V_{DD})]]$   
Peak  $I_L = 1.15A$ ,  $V_{GS} = 12V$ ,  $25 \leq R_G \leq 200\Omega$
- ③  $I_{SD} \leq 1.15A$ ,  $di/dt \leq 40 A/\mu s$ ,  
 $V_{DD} \leq BV_{DSS}$ ,  $T_J \leq 150^\circ C$   
Suggested  $R_G = 2.35\Omega$
- ④ Pulse width  $\leq 300 \mu s$ ; Duty Cycle  $\leq 2\%$
- ⑤  $K/W = ^\circ C/W$   
 $W/K = W/^\circ C$
- ⑥ **Total Dose Irradiation with  $V_{GS}$  Bias.**  
12 volt  $V_{GS}$  applied and  $V_{DS} = 0$  during irradiation per MIL-STD-750, method 1019.
- ⑦ **Total Dose Irradiation with  $V_{DS}$  Bias.**  
 $V_{DS} = 0.8$  rated  $BV_{DSS}$  (pre-radiation) applied and  $V_{GS} = 0$  during irradiation per MIL-STD-750, method 1019.
- ⑧ This test is performed using a flash x-ray source operated in the e-beam mode (energy ~2.5 MeV), 30 nsec pulse.
- ⑨ Process characterized by independent laboratory.
- ⑩ All Pre-Radiation and Post-Radiation test conditions are **identical** to facilitate direct comparison for circuit applications.

**Case Outline and Dimensions — TO-204AF (TO-39)**



International  
**IR** Rectifier

**WORLD HEADQUARTERS:** 233 Kansas St., El Segundo, California 90245, Tel: (310) 322 3331  
**EUROPEAN HEADQUARTERS:** Hurst Green, Oxted, Surrey RH8 9BB, UK Tel: ++ 44 1883 732020

**IR CANADA:** 7321 Victoria Park Ave., Suite 201, Markham, Ontario L3R 2Z8, Tel: (905) 475 1897

**IR GERMANY:** Saalburgstrasse 157, 61350 Bad Homburg Tel: ++ 49 6172 96590

**IR ITALY:** Via Liguria 49, 10071 Borgaro, Torino Tel: ++ 39 11 451 0111

**IR FAR EAST:** K&H Bldg., 2F, 3-30-4 Nishi-Ikeburo 3-Chome, Toshima-Ki, Tokyo Japan 171 Tel: 81 3 3983 0086

**IR SOUTHEAST ASIA:** 315 Outram Road, #10-02 Tan Boon Liat Building, Singapore 0316 Tel: 65 221 8371