

Small kVA 3 Phase Isolation Transformer

TT2133 and TT2134

VA:	6000, 9000	Phase:	Three Phase
Input Voltage:	415 Delta	Frequency:	50 Hz
Output Voltage:	575 Delta	BIL:	10 kV
Taps:	See wiring diagram	Coils:	Copper
Insulation Class:	185° C	Temp Rise:	115° C
Impedance:	6.5-7.5%		

NEMA 3R Enclosure

10 Full 10 Year Warranty

Feature Highlights

10 Year Warranty
UL Listed
CSA Approved

- Copper windings
- 1.5 to 2 week build time
- Solidly fixed terminals with standard combination slotted Robertson head screw connections facilitate wiring.
- Built with heat-proof insulation for compact size and long life.
- Unique bobbin-wound coils for greater efficiency, superior heat evacuation, and compact structure.

Optional Features

- NEMA 4/4x
- Encapsulation
- Other voltages/multiple tap
- Electrostatic shield

Please call us for additional options.

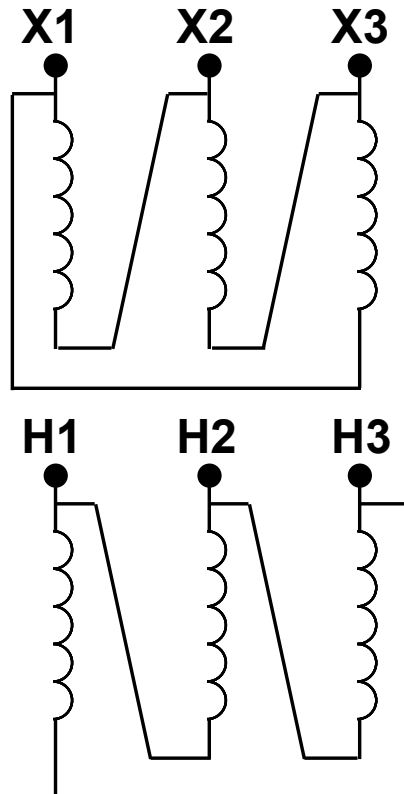
Small kVA 3 Phase Isolation Transformer

TT2133 and TT2134

60 Hz

TT2133	6000 VA
TT2134	9000 VA

Wiring Connection	
Primary	
Voltage	
415	X1-X2-X3
Secondary	
Voltage	Connect loads to:
575	H1, H2, H3



Small kVA 3 Phase Isolation Transformer

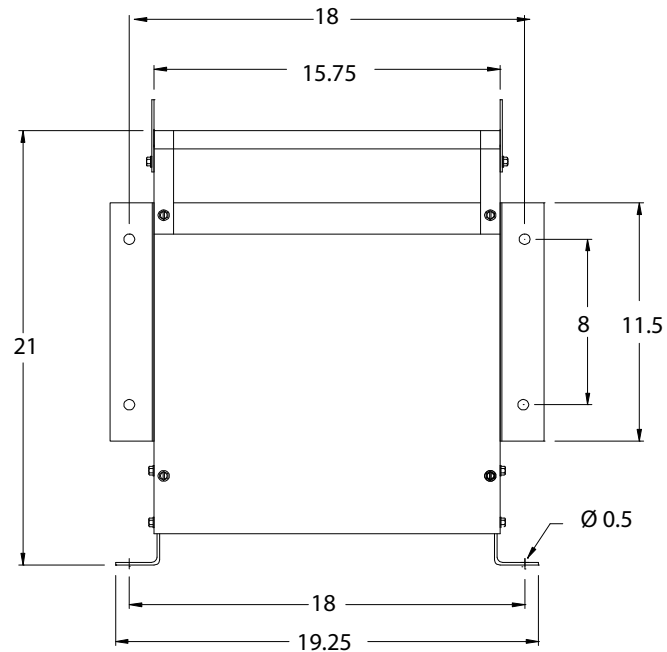
TT2133 and TT2134

Weight:

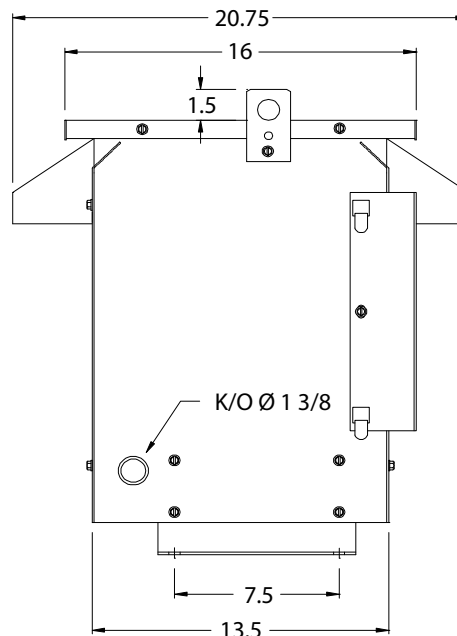
135 lbs (6000 VA) - TT2133

148 lbs (9000 VA) - TT2134

Approximate dimensions given
in inches.



Front View



Side View