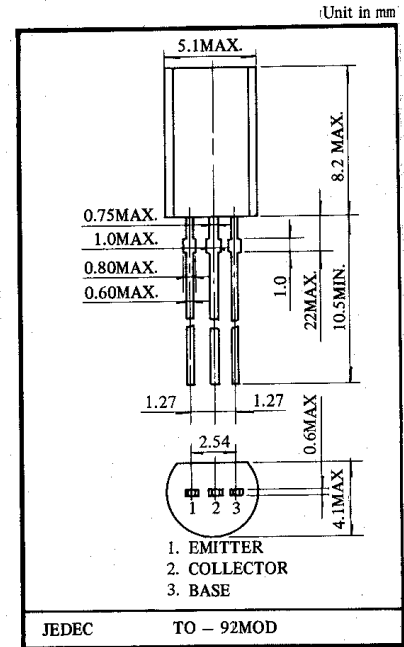


### APPLICATIONS

- Black and White TV Video Output Applications.
- High Voltage Switching Applications.
- Driver Stage Audio Amplifier Applications.

### FEATURES

- High  $V_{CE0}$  :  $V_{CE0} = 150$  V
- High  $f_T$  :  $f_T = 120$  MHz (Typ)
- Low  $C_{ob}$  :  $C_{ob} = 5.0$  pF (Max)



### MAXIMUM RATINGS (Ta=25 °C)

CHARACTERISTIC	SYMBOL	RATING	UNIT	CHARACTERISTIC	SYMBOL	RATING	UNIT
Collector-Base Voltage	$V_{CBO}$	200	V	Emitter Current	$I_E$	-50	mA
Collector-Emitter Voltage	$V_{CEO}$	150	V	Collector Dissipation	$P_c$	800	mW
Emitter-Base Voltage	$V_{EBO}$	5	V	Junction Temperature	$T_j$	150	°C
Collector Current	$I_c$	50	mA	Storage Temperature	$T_{stg}$	-55~150	°C

### ELECTRICAL CHARACTERISTICS (Ta=25 °C)

CHARACTERISTIC	SYMBOL	TEST CONDITION	MIN.	TYP.	MAX.	UNIT
Collector Cutoff Current	$I_{CBO}$	$V_{CB} = 200$ V, $I_E = 0$	-	-	0.1	$\mu$ A
Emitter Cutoff Current	$I_{EBO}$	$V_{EB} = 5$ V, $I_C = 0$	-	-	0.1	$\mu$ A
DC Current Gain	$h_{FE}$	$V_{CE} = 5$ V, $I_C = 10$ mA	70	-	240	
Collector-Emitter Saturation Voltage	$V_{CE(sat)}$	$I_C = 10$ mA, $I_B = 1$ mA	-	-	0.5	V
Base-Emitter Saturation Voltage	$V_{BE(sat)}$	$I_C = 10$ mA, $I_B = 1$ mA	-	-	1	V
Transition Frequency	$f_T$	$V_{CE} = 30$ V, $I_C = 10$ mA	-	120	-	MHz
Collector Output Capacitance	$C_{ob}$	$V_{CB} = 10$ V, $I_E = 0$ , $f = 1$ MHz	-	3.5	5	pF

NOTE: According to  $h_{FE}$ , Classified as follows.

0	70-140	Y	120-240
---	--------	---	---------