

5-CHANNEL MOTOR DRIVER FOR DVD PLAYER**AM5668****General Description**

The AM5668 is a five-channel BTL driver IC, in which four channels are voltage-type BTL drivers for tracking and focus actuators, sled and spindle motors, the other one channel is DC motor driver for tray which supports forward/reverse control. This IC also contains two general-purpose independent precise voltage comparators.

The AM5668 is available in standard HSOP-28 package.

Features

- 4-Channel DC Motor BTL Driver
- 1-Channel Forward/Reverse Control DC Motor BTL Driver
- Two Built-in Comparators
- Built-in Level Shift Circuit
- Built-in Mute Mode
- Built-in Thermal Shutdown Circuit
- Operating Voltage: 4.3V to 13.2V

Application

- DVD Player



Figure 1. Package Type of AM5668

5-CHANNEL MOTOR DRIVER FOR DVD PLAYER

AM5668

Pin Configuration

M28 Package
(HSOP-28)

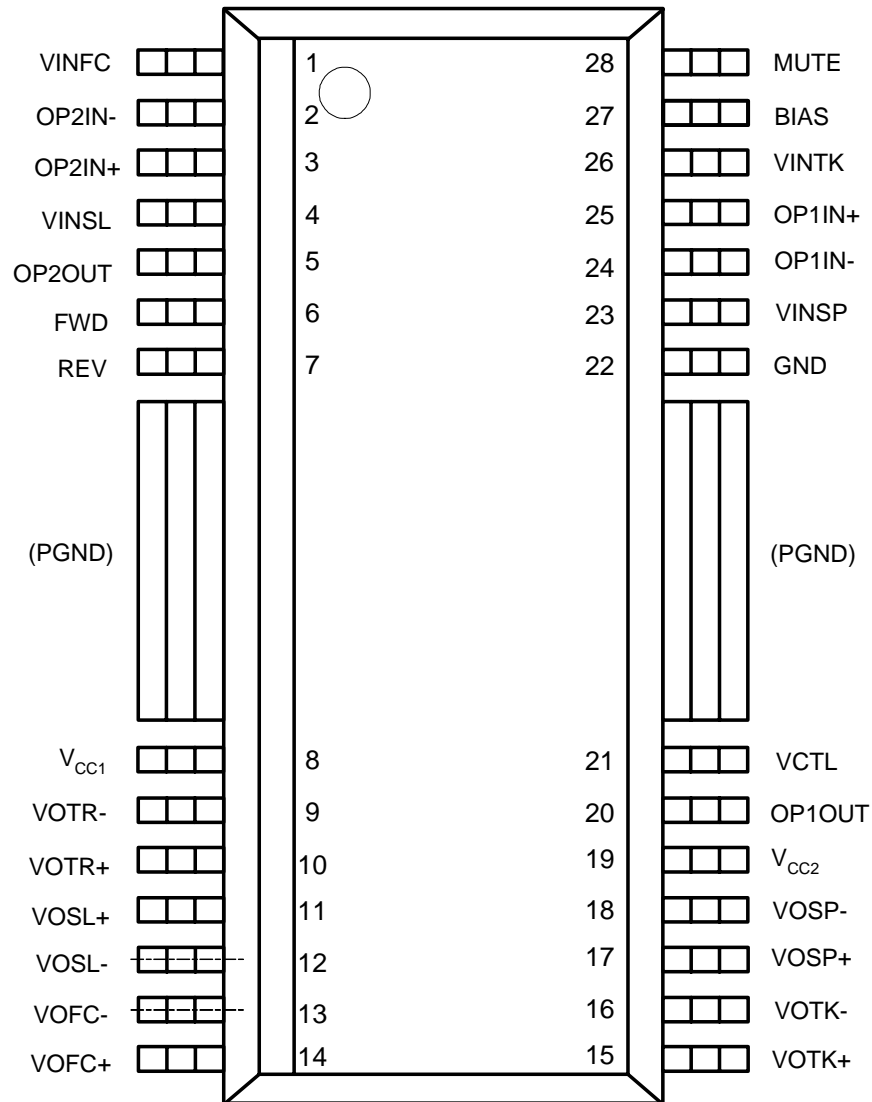


Figure 2. Pin Configuration of AM5668 (Top View)

**5-CHANNEL MOTOR DRIVER FOR DVD PLAYER****AM5668****Pin Description (Note 1)**

Pin Number	Pin Name	Function
1	VINFC	Input for focus driver
2	OP2IN-	Comparator 2 input (-)
3	OP2IN+	Comparator 2 input (+)
4	VINSL	Input for the sled driver
5	OP2OUT	Comparator 2 output
6	FWD	Tray driver forward input
7	REV	Tray driver reverse input
8	V _{CC1}	V _{CC} for pre-driver block and power block of sled and tray
9	VOTR-	Tray driver output (-)
10	VOTR+	Tray driver output (+)
11	VOSL+	Sled driver output (+)
12	VOSL-	Sled driver output (-)
13	VOFC-	Focus driver output (-)
14	VOFC+	Focus driver output (+)
15	VOTK+	Tracking driver output (+)
16	VOTK-	Tracking driver output (-)
17	VOSP+	Spindle driver output (+)
18	VOSP-	Spindle driver output (-)
19	V _{CC2}	V _{CC} for power block of spindle, tracking and focus
20	OP1OUT	Comparator 1 output
21	VCTL	Speed control input of tray driver
22	GND	Ground
23	VINSP	Input for spindle driver
24	OP1IN-	Comparator 1 input (-)
25	OP1IN+	Comparator 1 input (+)
26	VINTK	Input for tracking driver
27	BIAS	Input for reference voltage
28	MUTE	Input for mute control

Note 1: Symbols of + and - (output of drivers) mean polarity with respect to input pin.
(For example, if voltage of pin 1 is high, pin 14 is high and pin 13 is low.)



5-CHANNEL MOTOR DRIVER FOR DVD PLAYER

AM5668

Functional Block Diagram

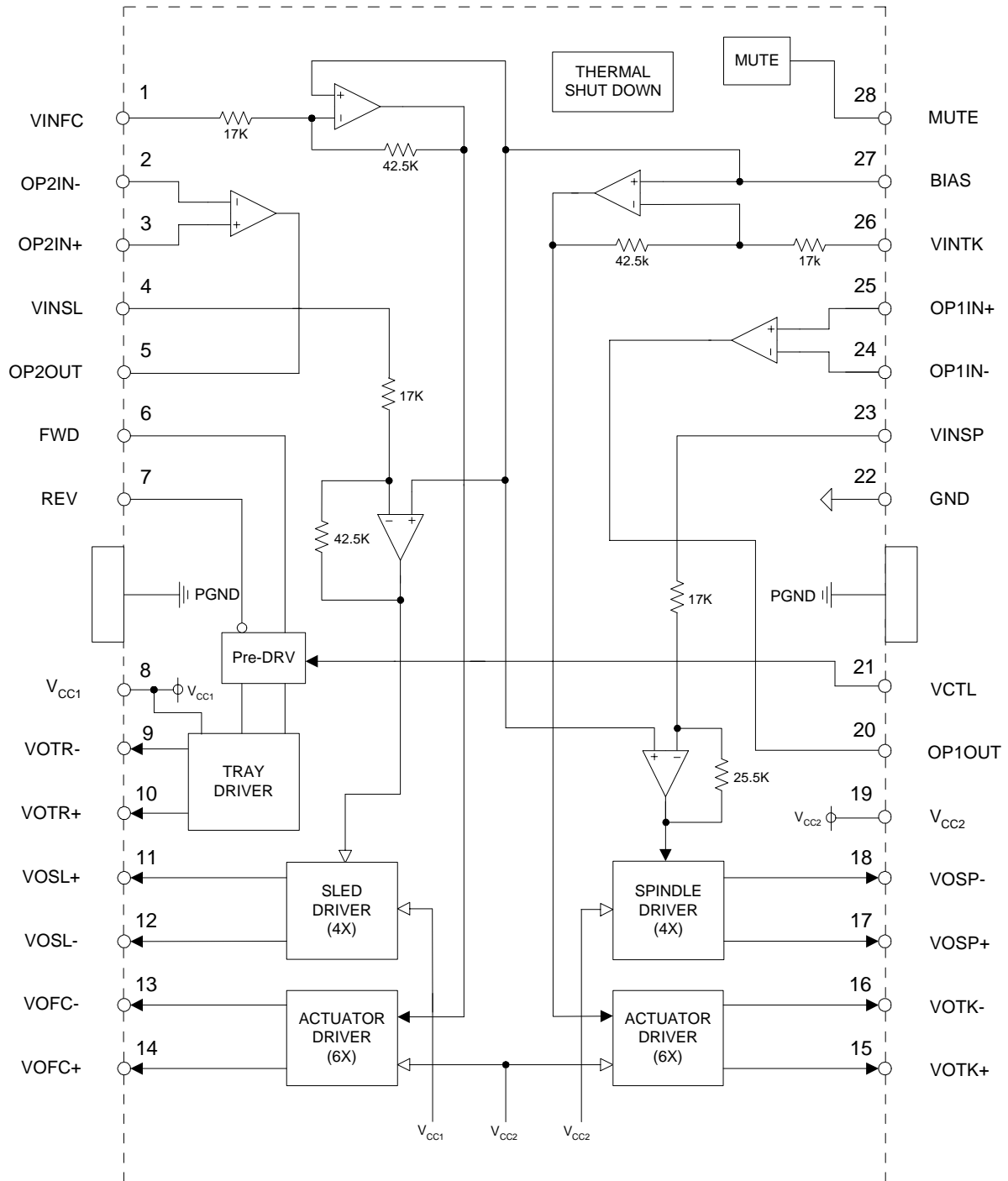
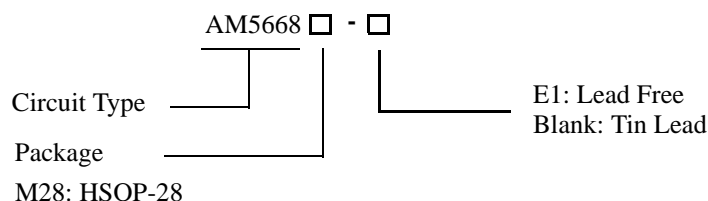


Figure 3. Functional Block Diagram of AM5668

**5-CHANNEL MOTOR DRIVER FOR DVD PLAYER****AM5668****Ordering Information**

Package	Temperature Range	Part Number		Marking ID		Packing Type
		Tin Lead	Lead Free	Tin Lead	Lead Free	
HSOP-28	0 to 70 °C	AM5668M28	AM5668M28-E1	AM5668M28	AM5668M28-E1	Tube

BCD Semiconductor's Pb-free products, as designated with "E1" suffix in the part number, are RoHS compliant.

Absolute Maximum Ratings (T_A=25°C) (Note 2)

Parameter	Symbol	Value	Unit
Supply Voltage	V _{CC1,2}	13.5	V
Power Dissipation	P _D	1.7 (Note 3, 4)	W
Operating Junction Temperature	T _J	150	°C
Storage Temperature	T _{STG}	-55 to 150	°C
ESD (Human Body Model)	ESD	2000	V
ESD (Machine Model)	ESD	200	V

Note 2: Stresses greater than those listed under "Absolute Maximum Ratings" may cause permanent damage to the device. These are stress ratings only, and functional operation of the device at these or any other conditions beyond those indicated under "Recommended Operating Conditions" is not implied. Exposure to "Absolute Maximum Ratings" for extended periods may affect device reliability.

Note 3:

- a. When mounted on a 70mm×70mm×1.6mm glass epoxy board.
- b. Reduced by 13.6mW for each increase in T_A of 1°C over 25°C.

Note 4: Do not exceed P_D and SOA and T_J=150°C values.

Recommended Operating Conditions (T_A=25°C)

Parameter	Symbol	Min	Max	Unit
Supply Voltage	V _{CC1}	4.3	13.2	V
	V _{CC2}	4.3 to V _{CC1}		V
Operating Temperature	T _A	0	70	°C



5-CHANNEL MOTOR DRIVER FOR DVD PLAYER

AM5668

Electrical Characteristics

($T_A=25^\circ\text{C}$, $V_{CC1}=V_{CC2}=5\text{V}$, $V_{BIAS}=2.5\text{V}$, $C_{VCC1}=C_{VCC2}=0.1\mu\text{F}$, unless otherwise specified.)

Parameter	Symbol	Conditions	Min	Typ	Max	Unit
Quiescent Current	I_{QC}	No load		20		mA
Mute ON Voltage	V_{STON}		0		0.5	V
Mute OFF Voltage	V_{STOFF}		2.0		V_{CC1}	V
Focus Driver						
Output Offset Voltage	V_{OOFFC}		-50		50	mV
Maximum Output Voltage	V_{OMFC}	at 10Ω load	3.1	3.4		V
Closed-Loop Voltage Gain	G_{VFC}	$V_{IN}=V_{BIAS} \pm 0.2\text{V}$		23.5		dB
Tracking Driver						
Output Offset Voltage	V_{OOFTK}		-50		50	mV
Maximum Output Voltage	V_{OMTK}	at 10Ω load	3.1	3.4		V
Closed-Loop Voltage Gain	G_{VTK}	$V_{IN}=V_{BIAS} \pm 0.2\text{V}$		23.5		dB
Spindle Motor Driver						
Output Offset Voltage	V_{OOFSP}		-50		50	mV
Maximum Output Voltage	V_{OMSP}	at 8Ω load	3.1	3.3		V
Closed-Loop Voltage Gain	G_{VSP}	$V_{IN}=V_{BIAS} \pm 0.2\text{V}$	13.3	15.5	17.5	dB
Gain Error by Polarity	ΔG_{VSP}	$V_{IN}=V_{BIAS} \pm 0.2\text{V}$	0	1	2	dB
Sled Motor Driver						
Output Offset Voltage	V_{OOFSL}		-100		100	mV
Maximum Output Voltage	V_{OMSL}	at 8Ω load	3.1	3.3		V
Closed-Loop Voltage Gain	G_{VSL}	$V_{IN}=V_{BIAS} \pm 0.2\text{V}$	18.0	20.0	22.0	dB
Tray Motor Driver						
Output Saturation Voltage 1	V_{SAT1TR}	Upper + Lower saturation, $I_L=200\text{mA}$		1.4	1.6	V



5-CHANNEL MOTOR DRIVER FOR DVD PLAYER

AM5668

Electrical Characteristics (Continued)

Parameter	Symbol	Conditions	Min	Typ	Max	Unit
Output Saturation Voltage between FWD and REV	ΔV_{SAT1TR}	Output Saturation Voltage 1 between FWD and REV			0.1	V
Output Saturation Voltage 2	V_{SAT2TR}	Upper + Lower saturation, $I_L=500mA$		2.3	2.5	V
Output Adjustable Gain on "H" Side Voltage	G_{VTRH}	"H" side output for input ($V_{CTL}=1V$)	7.4	9.2	11	dB
Tray Motor Driver Input Logic						
High Level Input Voltage	V_{IH}		2.0		V_{CC1}	V
Low Level Input Voltage	V_{IL}		0		0.8	V
High Level Input Current	I_{IH}	$V_{FWD}=V_{REV}=5V$		180	270	μA
Comparator						
Input Offset Voltage	V_{IO}			3		mV
Input Common-Mode Voltage Range	V_{CM}		0		V_{CC1} -1.5	V
Voltage Gain	G_V	$R_L \geq 15k\Omega$	80			dB
Output Sink Current	I_{SINK}	$V_{OUT} < 1.5V$		6.0		mA
Saturation Voltage	V_{SAT}	$I_{SINK} \leq 2mA$		250	500	mV

5-CHANNEL MOTOR DRIVER FOR DVD PLAYER

AM5668

Test Circuit

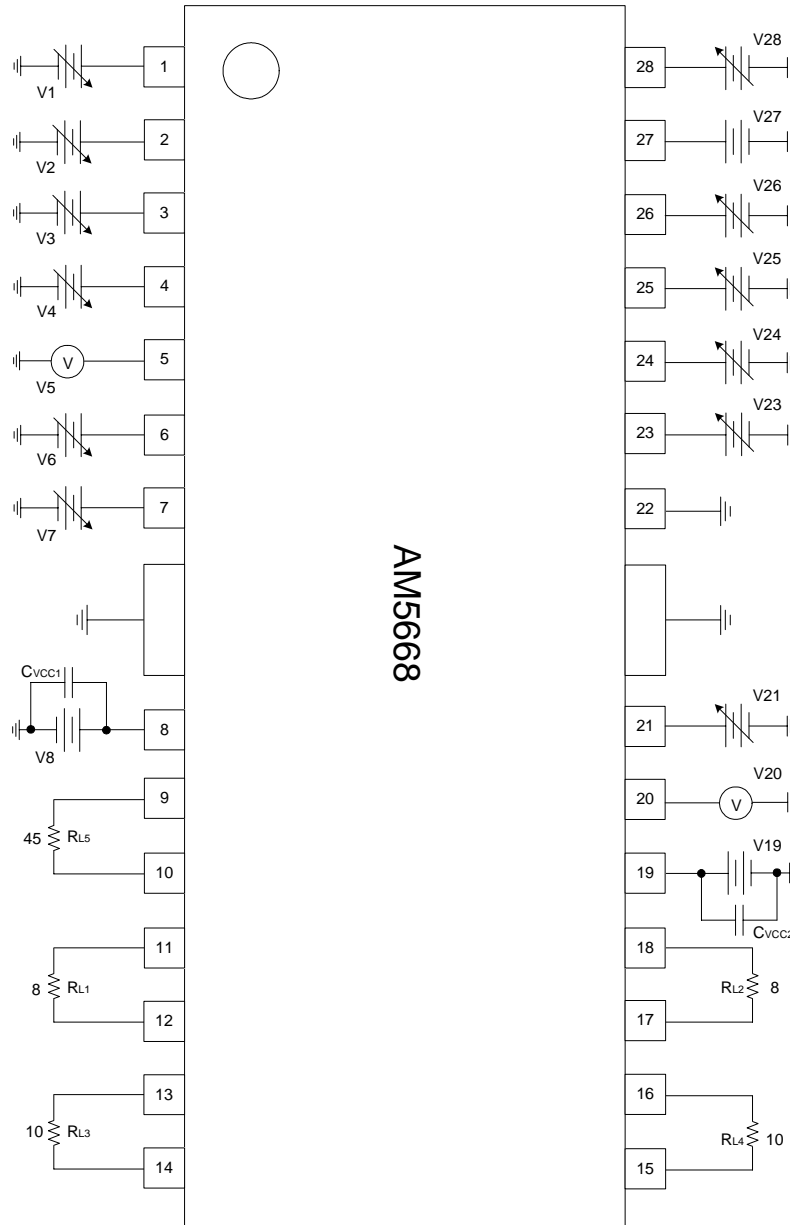


Figure 4. Test Circuit of AM5668



Typical Performance Characteristics

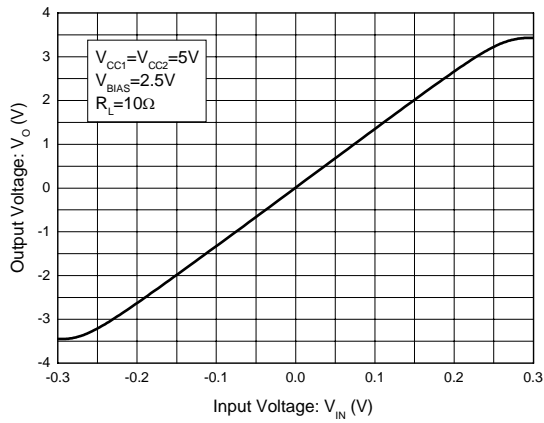


Figure 5. Focus Driver Characteristics (Note 5)

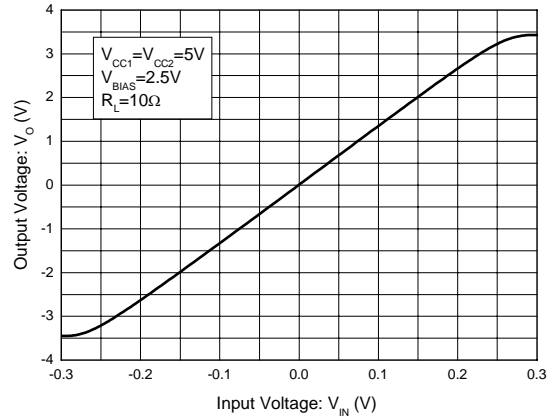


Figure 6. Tracking Driver Characteristics (Note 5)

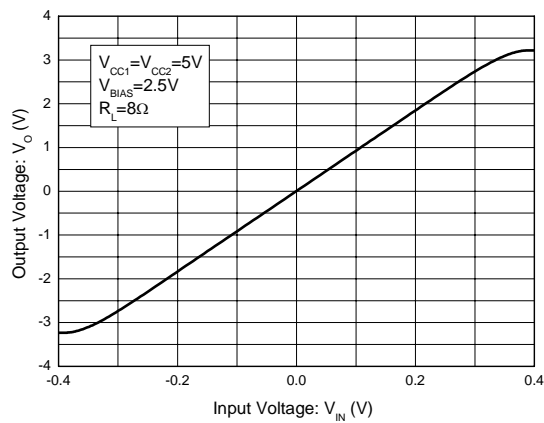


Figure 7. Sled Driver Characteristics (Note 5)

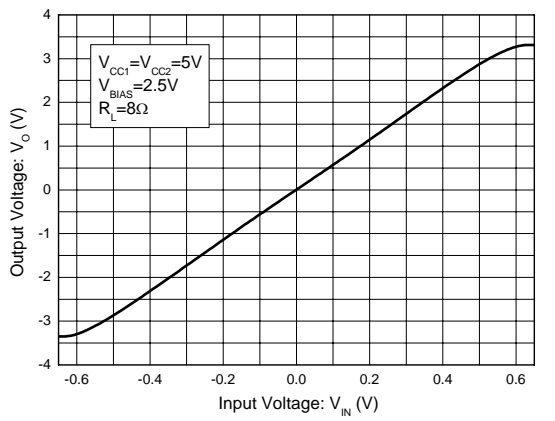


Figure 8. Spindle Driver Characteristics (Note 5)

Note 5: Input voltage herein is referenced to Bias pin voltage.



Typical Performance Characteristics (Continued)

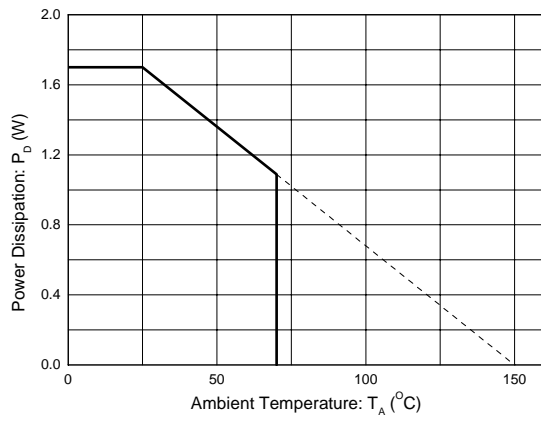


Figure 9. Power Dissipation Curve (Note 3)

5-CHANNEL MOTOR DRIVER FOR DVD PLAYER

AM5668

Typical Application

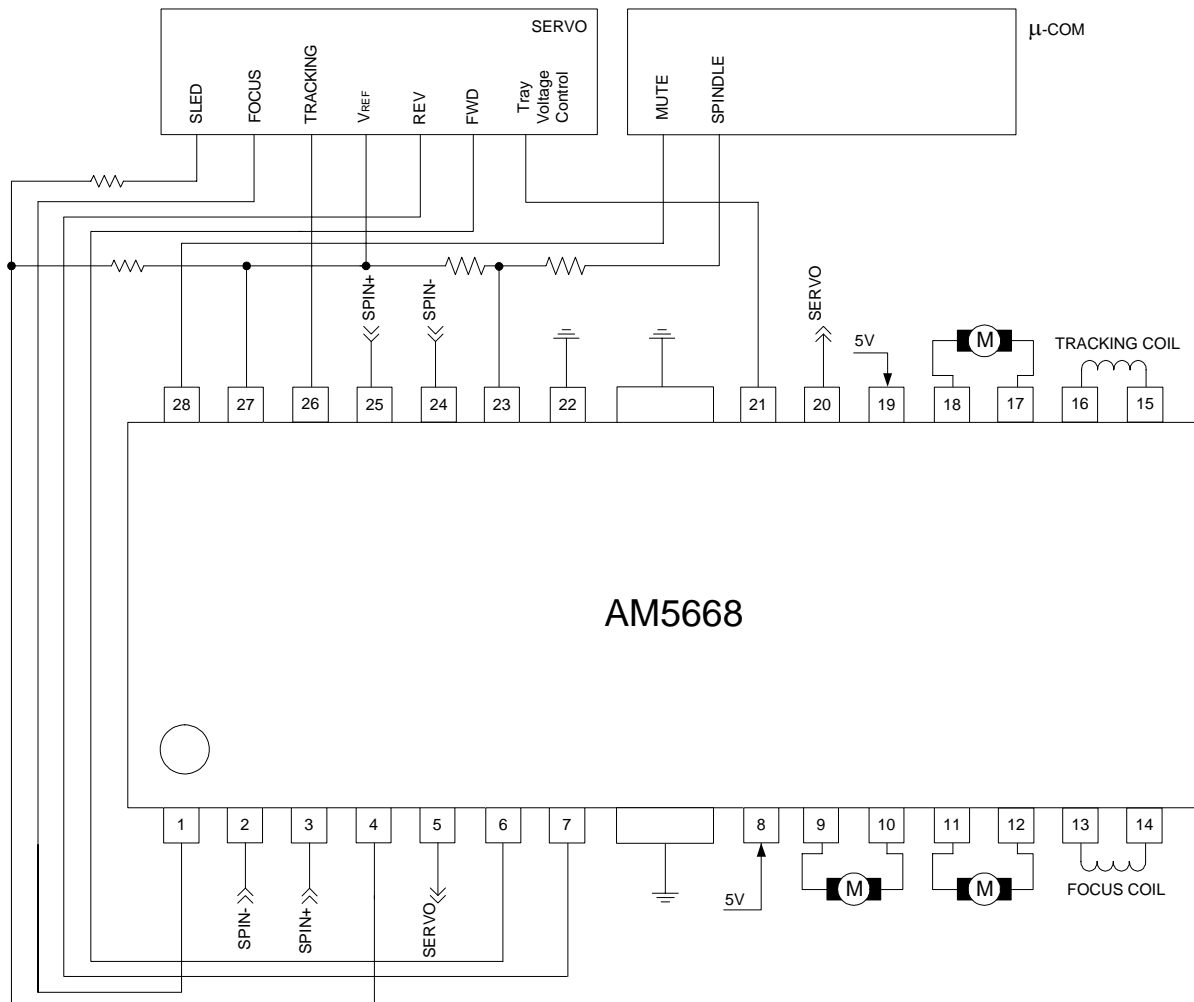


Figure 10. Typical Application of AM5668 in DVD Player

**5-CHANNEL MOTOR DRIVER FOR DVD PLAYER****AM5668****Application Information**

1. The built-in thermal shutdown circuit mutes the output current when the chip temperature reaches 175°C (Typ). The hysteresis is set to 25°C (Typ), so the circuit will start up again when the chip temperature falls to 150°C (Typ).

2. In case mute pin voltage is under 0.5V or this pin is not connected, output current is muted (except for tray motor driver). Mute pin voltage should be more than 2.0V for normal application.

3. Bias pin (pin 27) should be pulled up to more than 1.2V. In case the bias pin voltage is pulled down below 0.9V (Typ), the output current is muted.

4. Insert the bypass capacitor (about 0.1μF) between V_{CC} pin and GND pin as close as possible to this chip.

5. Heat dissipation fins are attached to the GND on the inside of the package. Make sure to connect them to the external GND.

6. Tray driver logic input:

FWD (pin6)	REV (pin7)	VOTR+ (pin10)	VOTR- (pin9)	Function
L	L	OPEN	OPEN	Open mode
L	H	L	H	Reverse mode
H	L	H	L	Forward mode
H	H	L	L	Brake mode

Input circuit of pins 6 and 7 is designed to avoid simultaneous activation of upper and lower output tray; however, in order to improve reliability, apply motor forward/reverse input once through open mode. We recommend time period for open longer than 10msec.

"H" side output voltage on output pins (VOTR+ or VOTR-) varies depending on output control terminal for tray (pin 21). "H" side output voltage is set to three times (9.2dB Typ) the voltage of VCTL (pin 21). And, "L" side output voltage is equal to output saturation voltage.



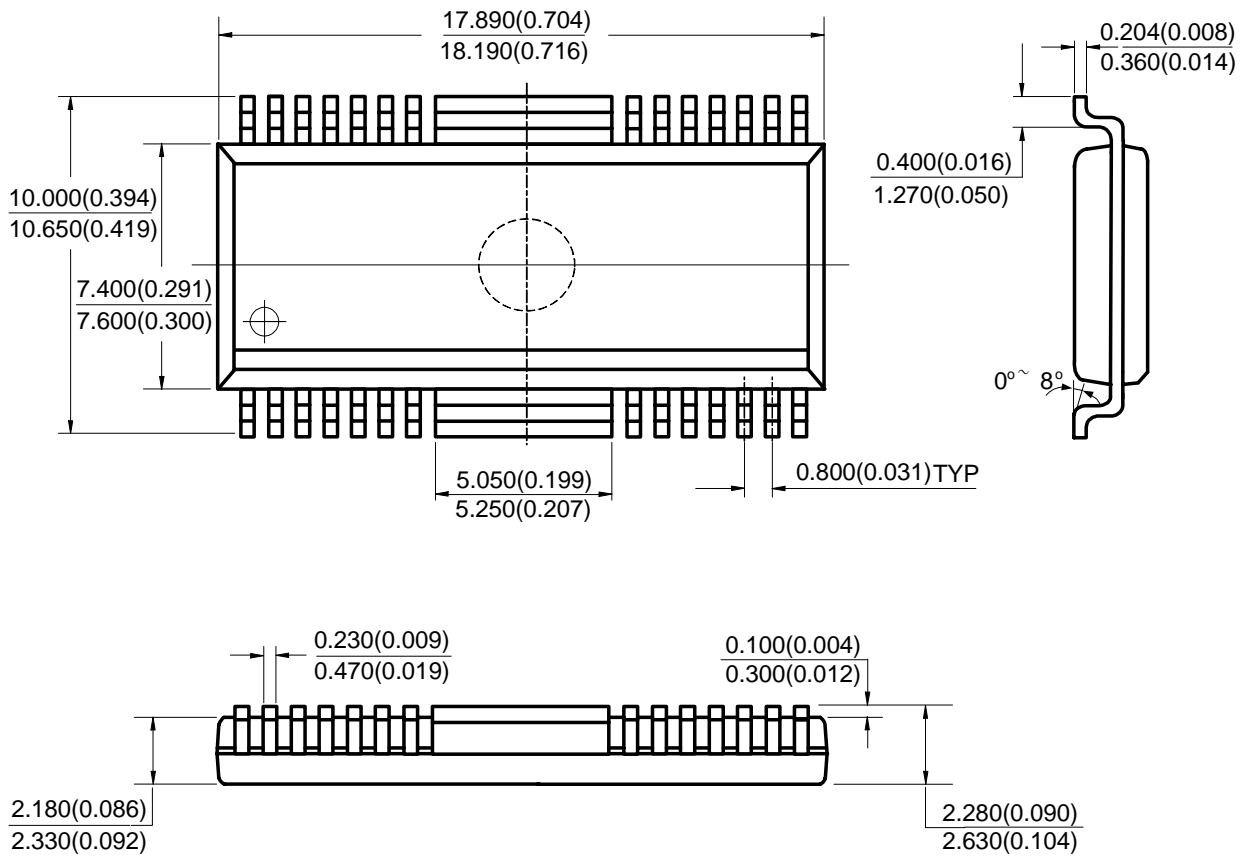
5-CHANNEL MOTOR DRIVER FOR DVD PLAYER

AM5668

Mechanical Dimensions

HSOP-28

Unit: mm(inch)





BCD Semiconductor Manufacturing Limited

<http://www.bcdsemi.com>

IMPORTANT NOTICE

BCD Semiconductor Manufacturing Limited reserves the right to make changes without further notice to any products or specifications herein. BCD Semiconductor Manufacturing Limited does not assume any responsibility for use of any its products for any particular purpose, nor does BCD Semiconductor Manufacturing Limited assume any liability arising out of the application or use of any its products or circuits. BCD Semiconductor Manufacturing Limited does not convey any license under its patent rights or other rights nor the rights of others.

MAIN SITE

- Headquarters

BCD Semiconductor Manufacturing Limited

No. 1600, Zi Xing Road, Shanghai Zizhu Science-based Industrial Park, 200241, China
Tel: +86-21-24162266, Fax: +86-21-24162277

- Wafer Fab

Shanghai SIM-BCD Semiconductor Manufacturing Co., Ltd.

800 Yi Shan Road, Shanghai 200233, China
Tel: +86-21-6485 1491, Fax: +86-21-5450 0008

REGIONAL SALES OFFICE

Shenzhen Office

Shanghai SIM-BCD Semiconductor Manufacturing Co., Ltd., Shenzhen Office
Room E, 5F, Noble Center, No.1006, 3rd Fuzhong Road, Futian District, Shenzhen,
518026, China
Tel: +86-755-8826 7951
Fax: +86-755-8826 7865

Taiwan Office

BCD Semiconductor (Taiwan) Company Limited
4F, 298-1, Rui Guang Road, Nei-Hu District, Taipei,
Taiwan
Tel: +886-2-2656 2808
Fax: +886-2-2656 2806

USA Office

BCD Semiconductor Corp.
30920 Huntwood Ave. Hayward,
CA 94544, USA
Tel : +1-510-324-2988
Fax: +1-510-324-2788