

# AN5515

## TV Vertical Deflection Output Circuit

### ■ Description

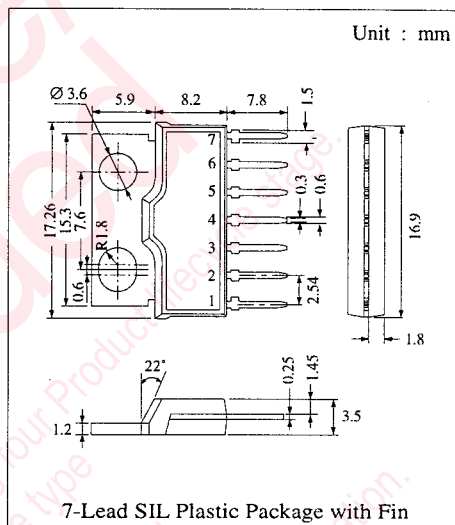
The AN5515 is an integrated circuit designed for TV vertical deflection output circuit. Combining with the deflection signal processing IC can facilitate the vertical output circuit design.

### ■ Features

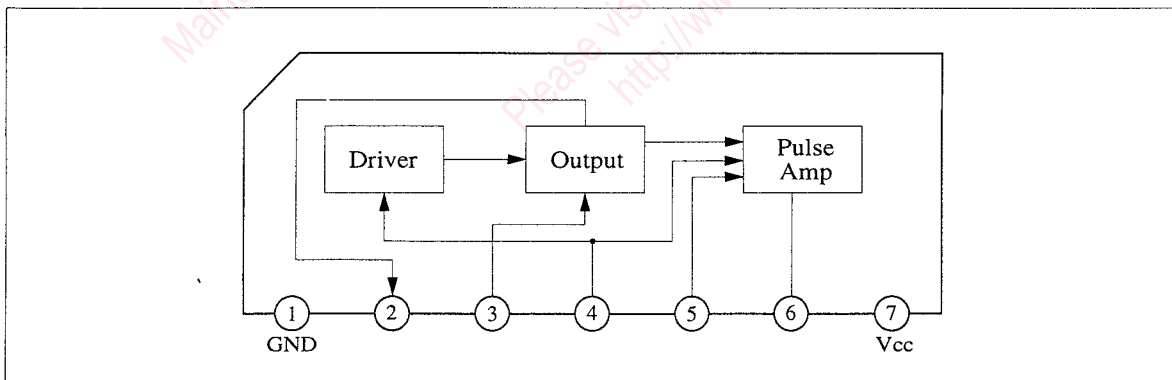
- Low power consumption
- Direct deflection coil driving capability (Flyback voltage two times as high as supply voltage is supplied during flyback period only)
- High breakdown voltage: 60V

### ■ Pin Descriptions

Pin No.	Pin Name
1	GND
2	Output
3	Supply Voltage for Output
4	Input
5	Trigger Pulse Input
6	Pulse Amp. Output
7	Vcc



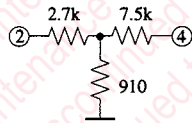
### ■ Block Diagram



### ■ Absolute Maximum Ratings (Ta=25°C)

Item		Symbol	Rating		Unit
Voltage	Supply Voltage	VCC	30		V
	Circuit Voltage	V2-1	0	60	V
		V3-1	0	60	V
		V4-1	-1	6	V
		V5-1	-1	3	V
Current	Supply Current	ICC	300		mA
Current	Circuit Current	I <sub>2</sub>	-1300	1300	mA <sub>O-P</sub>
		I <sub>6</sub>	-1300	1300	mA <sub>O-P</sub>
Power Dissipation		PD	6		W
Operating Ambient Temperature		Topr	-20 ~ +70		°C
Storage Temperature		Tstg	-55 ~ +150		°C

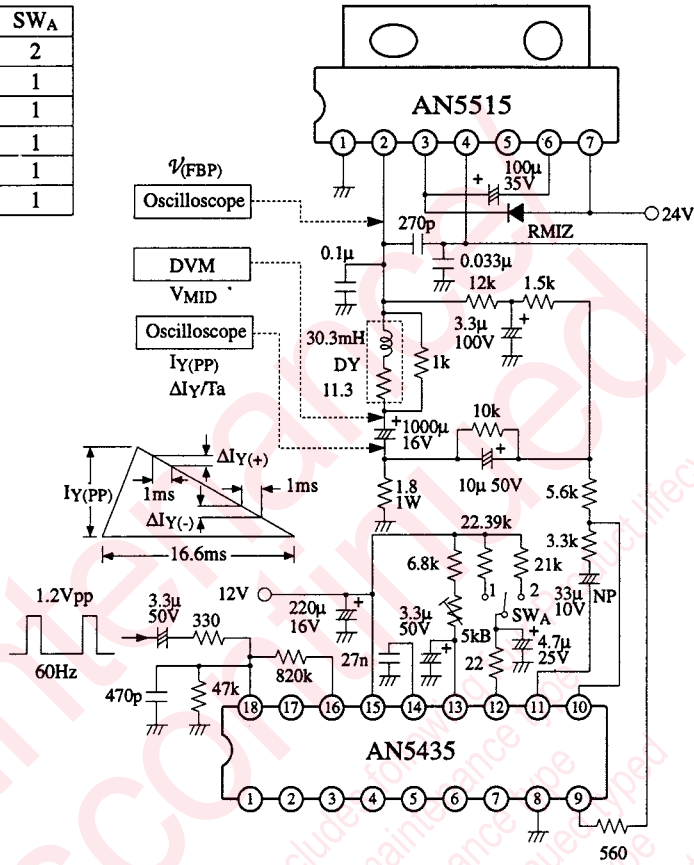
### ■ Electrical Characteristics (Ta=25°C)

Item	Symbol	Test Circuit	Condition	min.	typ.	max.	Unit
Deflection Current (Peak Value)	I <sub>Y(PP)</sub>	1		1280	1380	1480	mApp
Deflection Current Linearity	ΔI <sub>Y(+)</sub>	1		46		140	mApp
	ΔI <sub>Y(-)</sub>	1		42		126	mApp
Deflection Current Change with Ambient Temp.*	ΔI <sub>Y/Ta</sub>	1	Ta = -20 ~ +70°C	-1.5		1.5	%
Center Voltage	V <sub>MID</sub>	1		13.2	13.8	14.4	V
Flyback Pulse Amplitude	V <sub>(FBP)</sub>	1		47			V
Static Circuit Current	I <sub>CQ</sub>		V <sub>3-1</sub> = 24V V <sub>7-1</sub> = 24V V <sub>5-1</sub> = 0 	8	14	24	mA
Output Tr Saturation Voltage	V <sub>3-2</sub>		V <sub>3-1</sub> = V <sub>7-1</sub> = 24V, Pin 2 - Pin 1 = 56Ω V <sub>4-1</sub> = 0.3V, V <sub>5-1</sub> = 0		2.7	3.7	V
Output Tr Saturation Voltage	V <sub>2-1</sub>		V <sub>3-1</sub> = V <sub>7-1</sub> = 24V, Pin 2 - Pin 3 = 56Ω V <sub>4-1</sub> = 3V, V <sub>5-1</sub> = 0		0.6	1	V
Q21 Saturation Voltage	V <sub>6-1</sub>		V <sub>7-1</sub> = 24V, Pin 7 - Pin 6 = 1.2kΩ V <sub>5-1</sub> = 2V, V <sub>5-1</sub> = 0			0.5	V
Thermal Resistance	R <sub>th(j-c)</sub>					4	°C/W

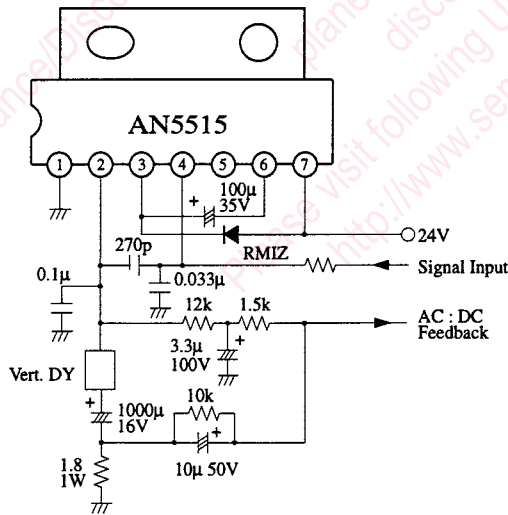
\* Design reference value

Test Circuit 1 ( $I_Y(PP)$ ,  $\Delta I_Y(+)$ ,  $\Delta I_Y(-)$ ,  $\Delta I_Y/Ta$ ,  $V_{MID}$ ,  $V_{(FBP)}$ )

Item	SW <sub>A</sub>
$I_Y(PP)$	2
$\Delta I_Y(+)$	1
$\Delta I_Y(-)$	1
$\Delta I_Y/Ta$	1
$V_{MID}$	1
$V_{(FBP)}$	1



■ Application Circuit



## Request for your special attention and precautions in using the technical information and semiconductors described in this book

- (1) If any of the products or technical information described in this book is to be exported or provided to non-residents, the laws and regulations of the exporting country, especially, those with regard to security export control, must be observed.
- (2) The technical information described in this book is intended only to show the main characteristics and application circuit examples of the products. No license is granted in and to any intellectual property right or other right owned by Panasonic Corporation or any other company. Therefore, no responsibility is assumed by our company as to the infringement upon any such right owned by any other company which may arise as a result of the use of technical information described in this book.
- (3) The products described in this book are intended to be used for standard applications or general electronic equipment (such as office equipment, communications equipment, measuring instruments and household appliances).  
Consult our sales staff in advance for information on the following applications:
  - Special applications (such as for airplanes, aerospace, automobiles, traffic control equipment, combustion equipment, life support systems and safety devices) in which exceptional quality and reliability are required, or if the failure or malfunction of the products may directly jeopardize life or harm the human body.
  - Any applications other than the standard applications intended.
- (4) The products and product specifications described in this book are subject to change without notice for modification and/or improvement. At the final stage of your design, purchasing, or use of the products, therefore, ask for the most up-to-date Product Standards in advance to make sure that the latest specifications satisfy your requirements.
- (5) When designing your equipment, comply with the range of absolute maximum rating and the guaranteed operating conditions (operating power supply voltage and operating environment etc.). Especially, please be careful not to exceed the range of absolute maximum rating on the transient state, such as power-on, power-off and mode-switching. Otherwise, we will not be liable for any defect which may arise later in your equipment.
  - Even when the products are used within the guaranteed values, take into the consideration of incidence of break down and failure mode, possible to occur to semiconductor products. Measures on the systems such as redundant design, arresting the spread of fire or preventing glitch are recommended in order to prevent physical injury, fire, social damages, for example, by using the products.
- (6) Comply with the instructions for use in order to prevent breakdown and characteristics change due to external factors (ESD, EOS, thermal stress and mechanical stress) at the time of handling, mounting or at customer's process. When using products for which damp-proof packing is required, satisfy the conditions, such as shelf life and the elapsed time since first opening the packages.
- (7) This book may be not reprinted or reproduced whether wholly or partially, without the prior written permission of our company.