

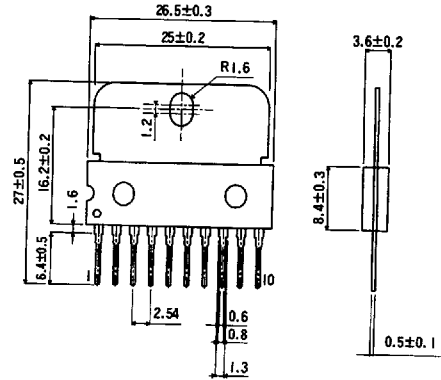
# BA5410

## 12 V-5.2 W dual channel power amplifier

The BA5410 is a dual channel, power amplifier designed for stereo radio cassette players.

### Dimensions (Units : mm)

#### BA5410 (HSIP10)



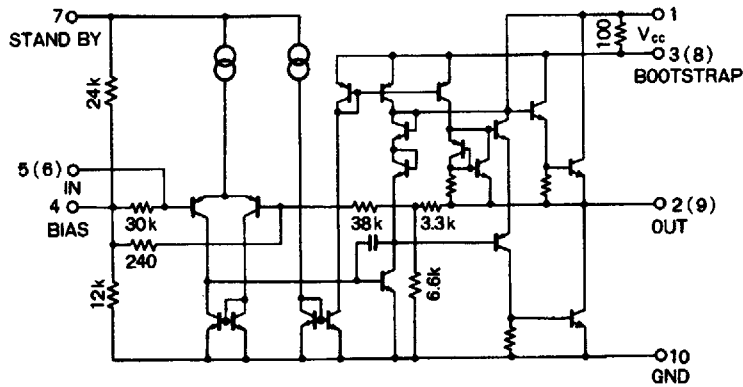
### Features

- available in HSIP10 package
- wide operating voltage range, typically 6 ~ 14 V)
- power amplifier has high output ( $2.9 \text{ W} \times 2$  at  $R_L = 3 \Omega$ ,  $V_{CC} = 9 \text{ V}$ , THD = 10%), low noise ( $0.3 \text{ mV}_{\text{rms}}$ ) and low distortion (0.3%)
- power output increases to  $5.2 \text{ W} \times 2$  at  $R_L = 3 \Omega$ ,  $V_{CC} = 12 \text{ V}$ , THD = 10%
- good channel balance
- good distortion factor (THD = 0.3% at  $P_O = 0.5 \text{ W}$ )
- built-in power switching and thermal shutdown circuit

### Applications

- stereo radio-cassette tape player

Figure 1 Equivalent circuit diagram

Absolute maximum ratings ( $T_a = 25^\circ\text{C}$ )

| Parameter             | Symbol    | Limits          | Unit             | Conditions  |
|-----------------------|-----------|-----------------|------------------|---|
| Power supply voltage  | $V_{CC}$  | 20              | V                |   |
| Power dissipation     | $P_d$     | 12.5            | W                | With a heat sink operating temperature less than $75^\circ\text{C}$ . See Figure 13 |
| Operating temperature | $T_{opr}$ | $-25 \sim +75$  | $^\circ\text{C}$ |   |
| Storage temperature   | $T_{stg}$ | $-55 \sim +125$ | $^\circ\text{C}$ |   |

Recommended operating conditions ( $T_a = 25^\circ\text{C}$ )

| Parameter            | Symbol   | Min | Typical | Max | Unit |
|----------------------|----------|-----|---------|-----|------|
| Power supply voltage | $V_{CC}$ | 6   |         | 14  | V    |

Electrical characteristics (Unless otherwise noted  $T_a = 25^\circ\text{C}$ ,  $V_{CC} = 9\text{ V}$ ,  $f = 1\text{ kHz}$ ,  $R_L = 3\ \Omega$ ,  $f = \text{kHz}$ )

| Parameter                    | Symbol     | Min  | Typical | Max  | Unit                     | Conditions  |
|------------------------------|------------|------|---------|------|--------------------------|---|
| Quiescent current            | $I_Q$      | 17   | 25      | 41   | mA                       |   |
| Voltage gain (close circuit) | $G_{VC}$   | 45.5 | 47.5    | 49.5 | dB                       | $P_O = 0.5\text{ W}$  |
| Rated output 1               | $P_{OUT1}$ | 2.5  | 2.9     |      | W                        | THD = 10%   |
| Rated output 2               | $P_{OUT2}$ |      | 5.2     |      | W                        | THD = 10%, $V_{CC} = 12\text{ V}$                                   |
| Total harmonic distortion    | THD        |      | 0.3     | 1    | %                        | $P_O = 0.5\text{ W}$  |
| Output noise voltage         | $V_{NO}$   |      | 0.3     | 1    | $\text{mV}_{\text{rms}}$ | $R_g = 0\ \Omega$ , BPF = 20 Hz ~ 20 kHz                            |
| Input resistance             | $R_{IN}$   | 25   | 33      | 41   | $\text{k}\Omega$         | $P_O = 0.5\text{ W}$  |
| Crosstalk                    | CT         | 40   | 50      |      | dB                       | $R_g = 10\ \text{k}\Omega$ , $P_O = 0.5\text{ W}$                   |
| Ripple rejection             | RR         | 40   | 45      |      | dB                       | $V_{RR} = -20\text{ dBV}$ , $f = 100\text{ Hz}$ , $R_g = 0\ \Omega$ |

Figure 2 Test circuit

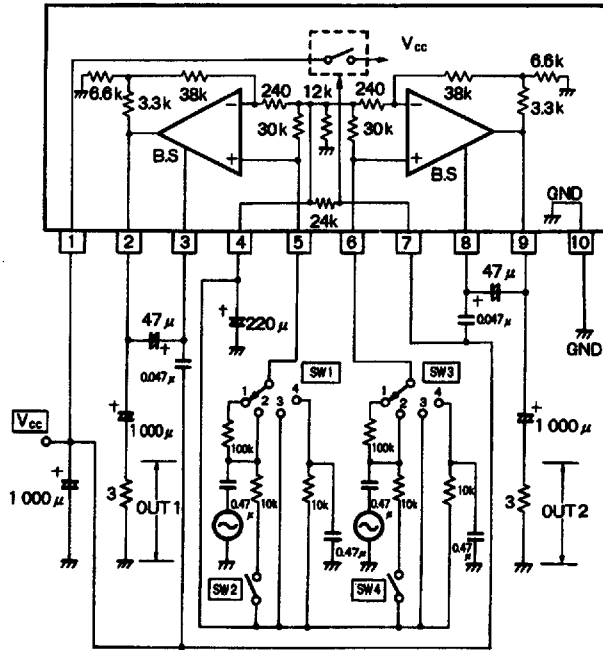
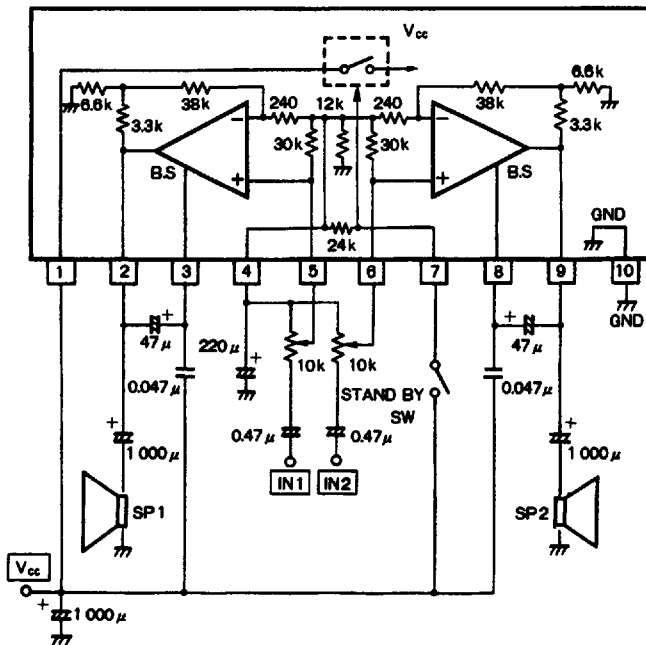


Figure 3 Application example



## Precautions for use

### Start up mute time

The start up mute time is determined by the capacitor on pin 4. Set a mute time that matches the preamplifier and the power supply voltage used.

### Polarity of the input capacitor

Ensure that the polarity of the input capacitor is matched to the dc output voltage of the preamplifier that you are using. The dc voltage of the input pin is set to approximately  $V_{CC}/3$ . This ratio will change on power up and power down.

### Input volume

Connect the input volume control between the input and the bias as in the application circuit diagram. The potentiometer should have a maximum resistance of 10 k $\Omega$  or less. Since this is a dc amplifier, this prevents the output operating point from shifting due to the input offset current.

### Bootstrap

Stability of the amplifier is maintained by connecting the bootstrap capacitor (0.47  $\tau$ F) and the anti-oscillation capacitor (0.047  $\mu$ F). If the dc resistance of the bootstrap capacitor is too small, the amplifier may become unstable. In this case, connect a 3  $\Omega$  resistor in series with the 0.047  $\tau$ F capacitor.

### Standby state

When the power supply is OFF, if a large noise is present on the standby pin (pin 7), it may leak to the output. Prevent this by connecting a capacitor in parallel to the noise generation source.

## Electrical characteristic curves

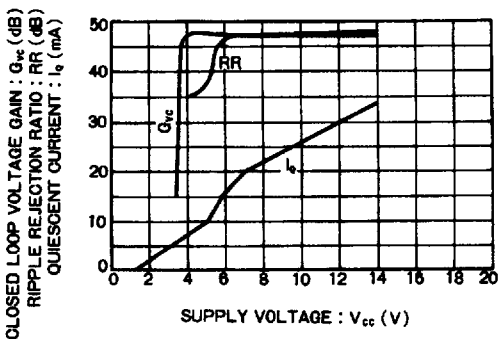


Figure 4

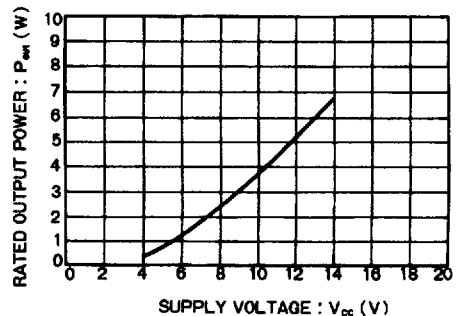


Figure 5

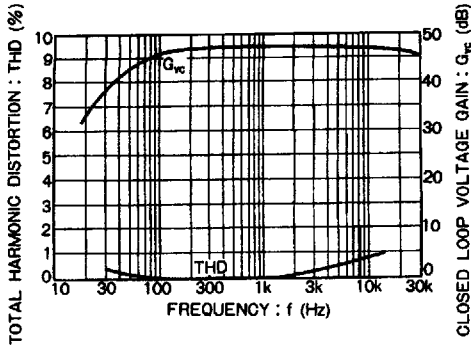


Figure 6

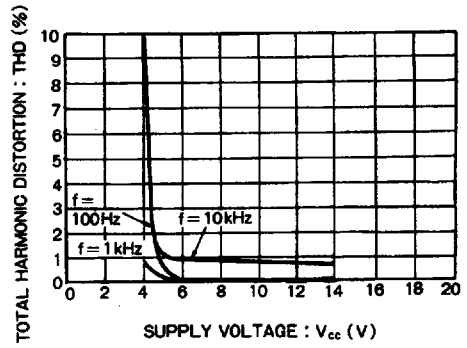


Figure 7

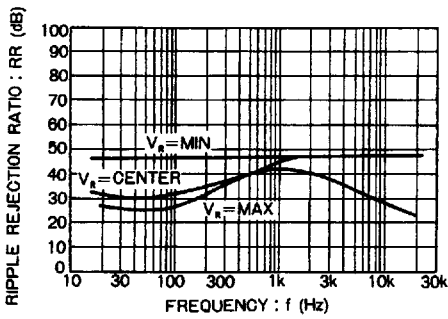


Figure 8

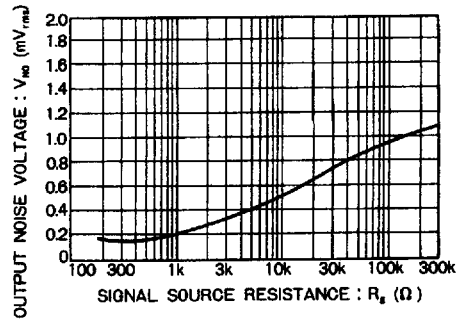


Figure 9

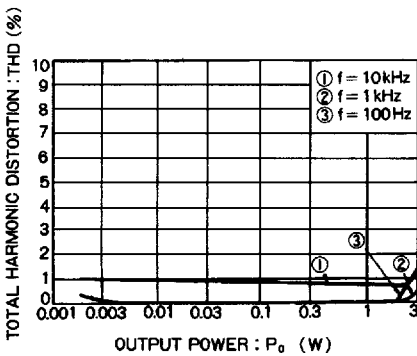


Figure 10

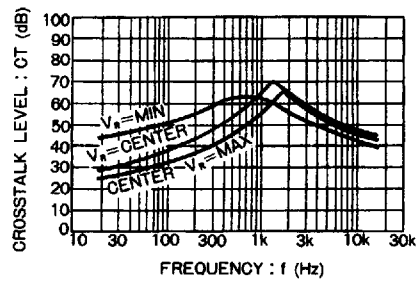


Figure 11

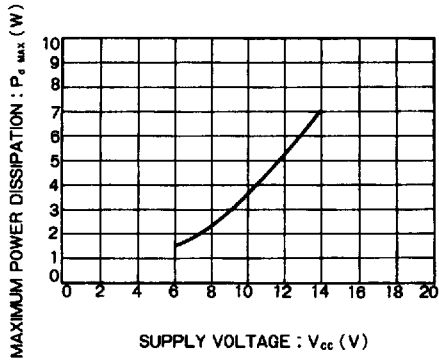


Figure 12

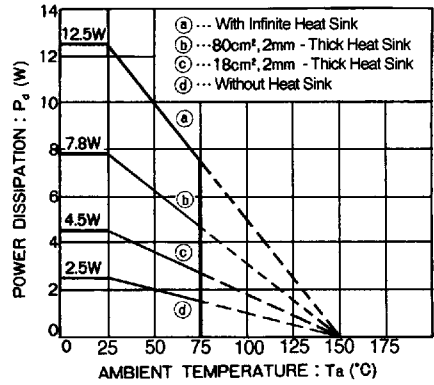


Figure 13

This datasheet has been downloaded from:

[www.DatasheetCatalog.com](http://www.DatasheetCatalog.com)

Datasheets for electronic components.