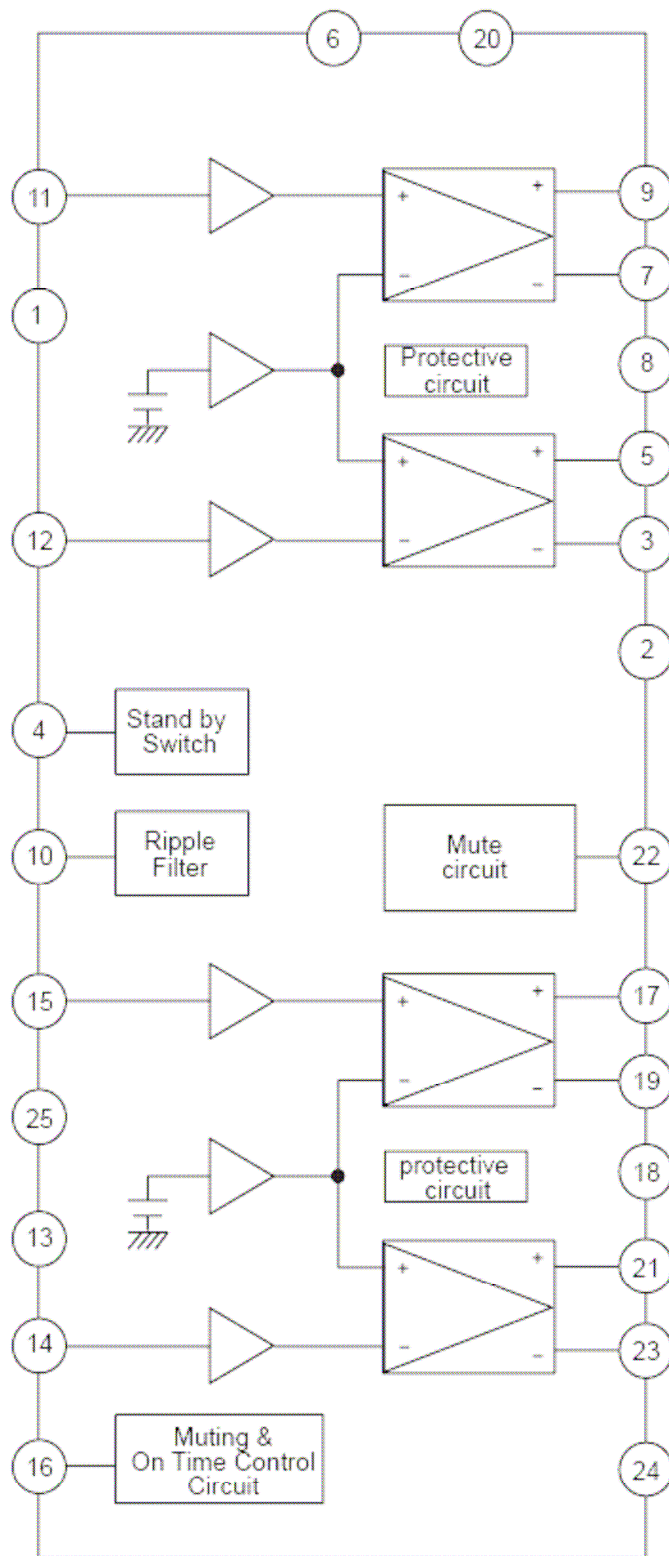
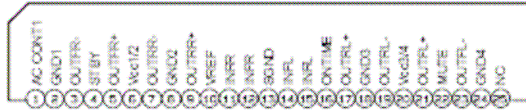


4.9 LA47505 (IC301) : Power amp.

- Pin layout



• Pin layout



• Pin function

Pin No.	Symbol	Function
1	AC CONT1	Header of IC
2	GND1	Power GND
3	OUTFR-	Output(-) for front Rch
4	STBY	Stand by input
5	OUTFR+	Output (+) for front Rch
6	Vcc1/2	Power input
7	OUTRR-	Output (-) for rear Rch
8	GND2	Power GND
9	OUTRR+	Output (+) for rear Rch
10	VREF	Ripple filter
11	INRR	Rear Rch input
12	INFR	Front Rch input
13	SGND	Signal GND
14	INFL	Front Lch input
15	INRL	Rear Lch input
16	ONTIME	Power on time control
17	OUTRL+	Output (+) for rear Lch
18	GND3	Power GND
19	OUTRL-	Output (-) for rear Lch
20	Vcc3/4	Power input
21	OUTFL+	Output (+) for front
22	MUTE	Muting control input
23	OUTFL-	Output (-) for front
24	GND4	Power GND
25	NC	No connection