



LA7555

IF Signal Processing (VIF+SIF) Circuit for TV / VCR Use

Overview

The LA7555 is a full sync detection method VIF + SIF monolithic linear IC using a PLL. It has excellent 920kHz beat and buzz beat characteristics, making it ideal for use in audio multiplexing and high-quality AV equipment.

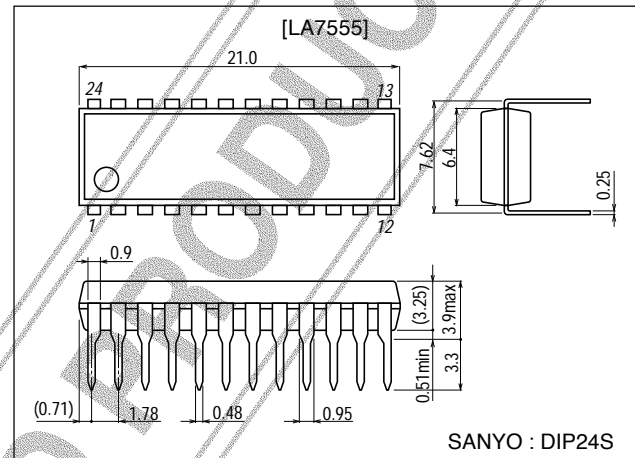
Functions

- VIF section
 - VIF amplifier
 - B/W NC
 - VCO
- Video sync detector
- RG AGC
- APC DET
- IF AGC
- AFT
- Lock DET
- SIF section
 - SIF limiter amplifier
- FM quadrature detection
- Audio section
 - DC attenuator
- AF driver
- Muting
 - Audio muting (pin 2)
 - AFT defeat (pin 14)
 - Audio-Video simultaneous muting (pin 10, 13)

Package Dimensions

unit:mm

3067A-DIP24S



Features

- 24-pin DIP shrink package being the smallest one used for PLL ICs.
- Excellent 920kHz beat characteristics.
- Excellent buzz beat characteristics.
- High-gain VIF amplifier.
- High-speed AGC possible.
- Excellent power supply ripple characteristics.

Specifications

Maximum Ratings at $T_a = 25^\circ\text{C}$

Parameter	Symbol	Conditions	Ratings	Unit
Maximum supply voltage	$V_{CC \text{ max}}$		13.8	V
Allowable power dissipation	$P_d \text{ max}$	$T_a \leq 50^\circ\text{C}$	1200	mW
Operating temperature	T_{opr}		-20 to +70	$^\circ\text{C}$
Storage temperature	T_{stg}		-55 to +150	$^\circ\text{C}$

Continued on next page.

■ Any and all SANYO products described or contained herein do not have specifications that can handle applications that require extremely high levels of reliability, such as life-support systems, aircraft's control systems, or other applications whose failure can be reasonably expected to result in serious physical and/or material damage. Consult with your SANYO representative nearest you before using any SANYO products described or contained herein in such applications.

■ SANYO assumes no responsibility for equipment failures that result from using products at values that exceed, even momentarily, rated values (such as maximum ratings, operating condition ranges, or other parameters) listed in products specifications of any and all SANYO products described or contained herein.

SANYO Electric Co., Ltd. Semiconductor Company

TOKYO OFFICE Tokyo Bldg., 1-10, 1 Chome, Ueno, Taito-ku, TOKYO, 110-8534 JAPAN

LA7555

Continued from preceding page.

Parameter	Symbol	Conditions	Ratings	Unit
Circuit voltage	V ₁₂ , V ₁₃		V _{CC}	V
	V ₁₆		V _{CC}	V
	V ₂₂		V _{CC}	V
	V ₂₃		V _{CC}	V
Circuit current	I ₅		-3	mA
	I ₂₁		-5	mA
	I ₂₂		2	mA

Note : Assumes that the current flowing into the IC is positive (no sign) and current flowing out of the IC is negative.

Operating Conditions at Ta = 25°C

Parameter	Symbol	Conditions	Ratings	Unit
Recommended supply voltage	V _{CC}		12	V
Operating voltage range	V _{CC} op		10 to 13.2	V

Operating Characteristics at Ta = 25°C

Parameter	Symbol	Conditions	Test Point	Ratings			Unit
				min	typ	max	
[VIF section]							
Circuit current	I _{6+I17}	V ₁₃ =11V	Pins6, 17	45	57	71	mA
Quiescent video output voltage	V ₂₁	V ₁₃ =11V	Pin21	5.9	6.3	6.7	V
Maximum RF AGC voltage	V _{11H}	V ₁₃ =11V	Pin11	10.6	11	11.4	V
Minimum RF AGC voltage	V _{11L}	V ₁₃ =11V	Pin11		0	0.5	V
Quiescent AFT output voltage	V ₁₆	V ₁₃ =11V	(B)	3.5	6.5	7.5	V
Input sensitivity	V _i	f _m =400Hz, 40%AM	(A)	33	39	45	dB/μV
AGC range	GR		(A)	60	65		dB
Maximum allowable input	V _i max		(A)	100	200		mVrms
Video output amplitude	V _o (video)	f _m =15kHz, 78%AM	(A)	1.9	2.2	2.5	Vp-p
Output S/N	S/N	V _i =10mV, CW	(A)	49	53		dB
Sync signal tip voltage	V ₂₁ tip	V _i =10mV, CW	(A)	3.45	3.7	3.95	V
920kHz beat level	I ₉₂₀	P=0, C=-4dB, S=-14dB (2Vp-p)	(A)	38	46		dB
Frequency characteristic	f _c	P=0, S=-14dB	(A)	6	7		MHz
SIF output signal voltage	V _o (SIF)	P=0, S=-20dB	(A)	110	180	260	mVrms
Differential gain	DG	f _p =58.75MHz, V _i =10mV, mod 87.5%, video signal	(A)		3	8	%
Differential phase	DP	f _p =58.75MHz, V _i =10mV, mod 87.5%, video signal	(A)		3	8	deg
White noise threshold voltage	V _{WTH}		(A)	6.4	6.8	7.2	V
White noise clamp voltage	V _{WCL}		(A)	4.2	4.6	5.0	V
Black noise threshold voltage	V _{BTH}		(A)	2.3	2.6	2.9	V
Black noise clamp voltage	V _{BCL}		(A)	4.1	4.5	4.9	V
Maximum AFT voltage	V _{16H}	V _i =10mVrms, SWEEP	(B)	11.0	11.5	12.0	V
Minimum AFT voltage	V _{16L}	V _i =10mVrms, SWEEP	(B)	0	0.5	1.0	V
AFT detection sensitivity	S _f		(B)	37	50	70	mV/kHz
Input resistance	r _i	f=58.75MHz		0.8	1.3	1.75	kΩ
Input capacitance	c _i	f=58.75MHz			3.0	6.0	pF
APC pull-in range (U) 1	f _{PU-1}		(A)		0.8		MHz
APC pull-in range (L) 1	f _{PL-1}		(A)		-0.8		MHz
APC pull-in range (U) 2	f _{PU-2}		(A)		2		MHz
APC pull-in range (L) 2	f _{PL-2}		(A)		-2		MHz
Lock detection threshold voltage	V _{13TH}		Pin22	11	11.5		V
VCO maximum variable range	Δf _U	V ₂₀ =3V	(A)		2.1		MHz
VCO maximum variable range	Δf _L	V ₂₀ =7V	(A)		-2.1		MHz
VCO control sensitivity	β	V ₂₀ =5V to 4.6V	(A)	1.4	2.8	5.6	kHz/mV

Continued on next page.

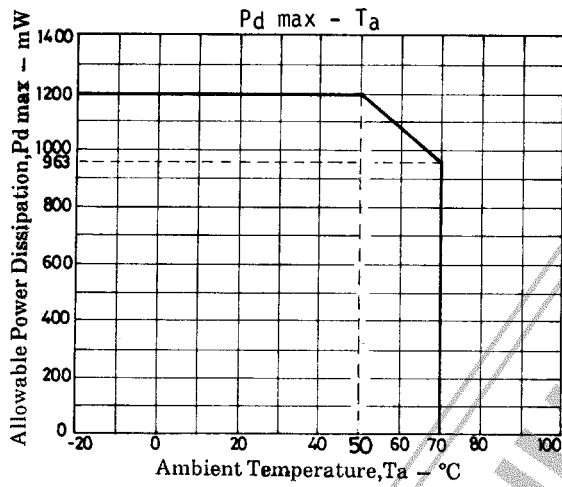
LA7555

Continued from preceding page.

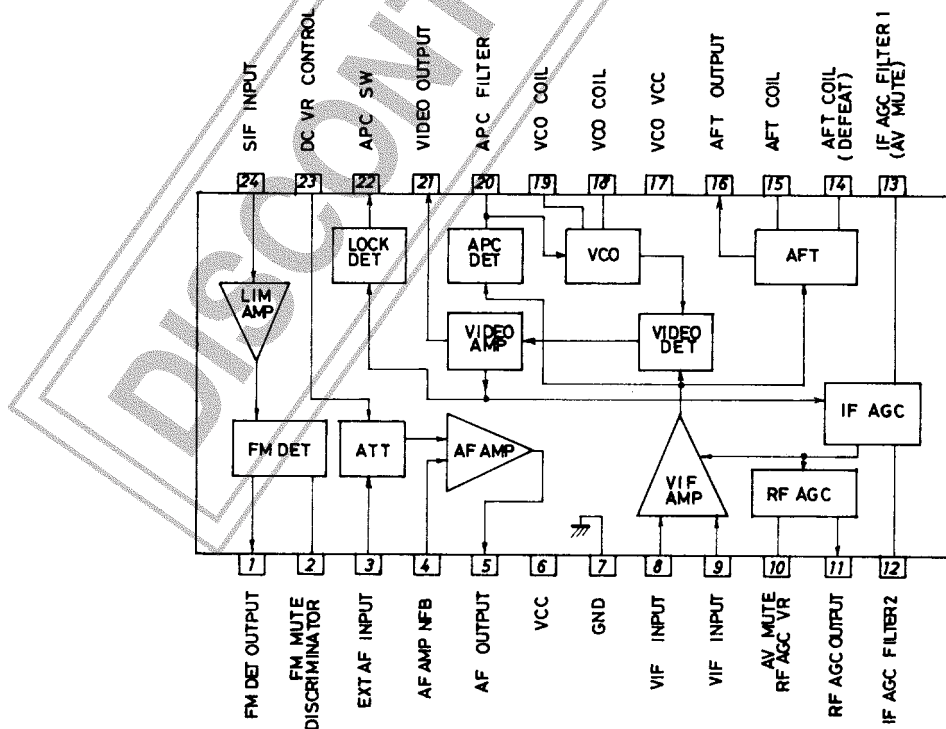
Parameter	Symbol	Conditions	Test Point	Ratings			Unit
				min	typ	max	
[SIF section]							
SIF limiting voltage	$V_i(\text{lim})$	$V_{13}=5\text{V}$	(C)		160	320	μVrms
FM detection output voltage	V_o	$V_{13}=5\text{V}$	(C)	-5.3	-1.8	+0.4	dBs^*
AM rejection	AMR	$V_{13}=5\text{V}$	(C)	40	55		dB
Distortion	THD(Det)	$V_{13}=5\text{V}$	(C)		0.5	1	%
[Audio section]							
DC VR maximum attenuation	A_{TT}	$V_{23}=8\text{V} \rightarrow 0\text{V}, V_{13}=5\text{V}$	(D)	70	75		dB
AF amplifier voltage gain	G_{AF}	$V_{23}=8\text{V}, V_{13}=5\text{V}$	(D)	18	20	22	dB
AF amplifier distortion	THD (AF)	$V_{23}=8\text{V}, V_{13}=5\text{V}, f=400\text{Hz}$	(D)		0.5	1	%
AF amplifier maximum output voltage	$V_o \text{ max (AF)}$	$V_{23}=8\text{V}, V_{13}=5\text{V}$	(D)	3	4		Vrms

* : $0\text{dBs}=0.7745\text{Vrms}$

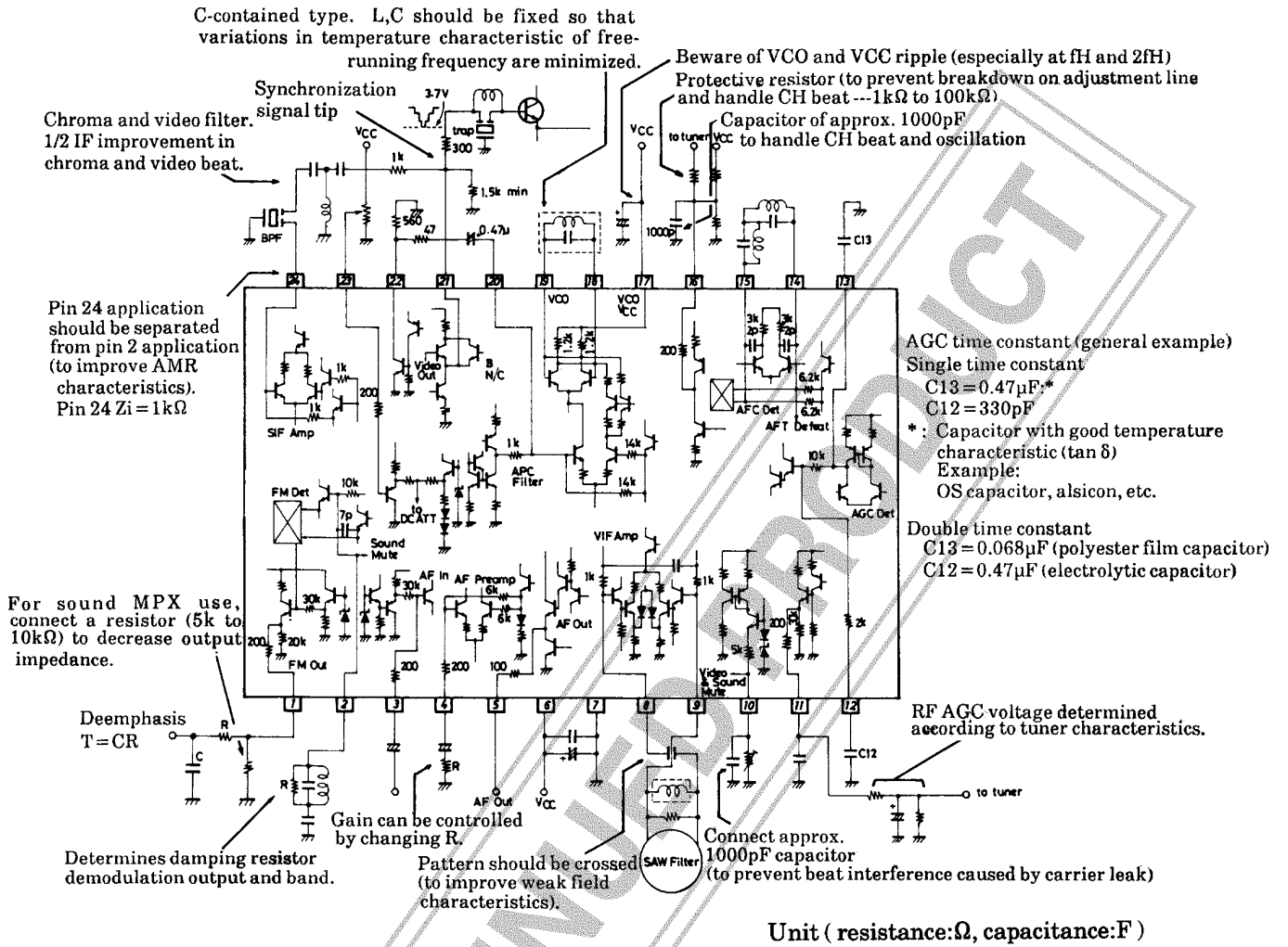
(A) : Video output (pin21), (B) : AFT output (pin16), (C) : FM detection output (pin1), (A) : Audio output (pin5)



Equivalent Circuit Block Diagram



Precautions when using the LA7555



Description of Operation

1. IF amplifier

As shown in Fig.1-1, the IF amplifier consists of three amplifiers directly connected with balanced input. Amplifiers 1, 2 and 3, and the gain are controlled by the AGC.

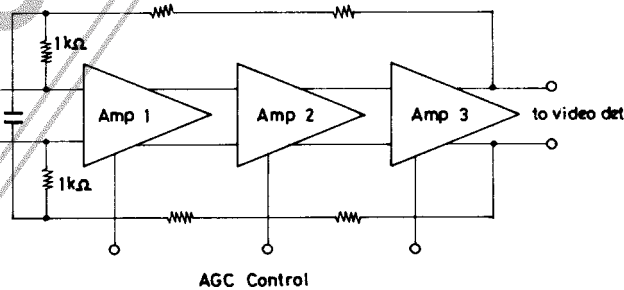


Fig.1-1

2. Video detector

As shown in Fig.2-1, the video detector is a PLL-type. AM detection (video detection) is by phase shifting the IF signal and VCO output signal 180° and multiplying the input signal. It offers excellent buzz and beat characteristics as detection is by multiplication by a clean signal. Also, excellent detection characteristics are obtained in the same manner for the overmodulation signal.

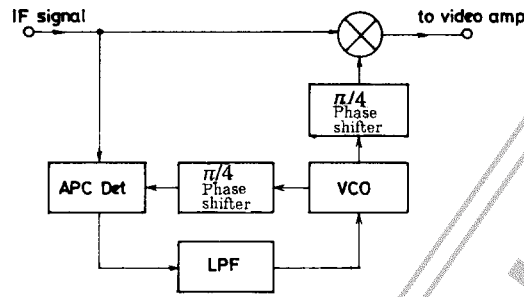


Fig.2-1

3. Video amplifier B/W noise canceller

As shown in Fig.3-1, the video amplifier amplifies the detection output voltage over a wide band to the desired voltage (=2.2Vp-p). The amplified video signal passes through the B/W noise canceller and is output to pin 21.

White : The noise canceller operates as shown in Fig.3-3 as the input of noise exceeding the white level of the video signal as shown in Fig.3-2 will cause noticeable noise on the screen.

Black : The noise canceller operates as shown in Fig.3-3 as the input of noise exceeding the sync signal tip as shown in Fig.3-2 will prevent proper operation of the next-stage sync separation circuit.

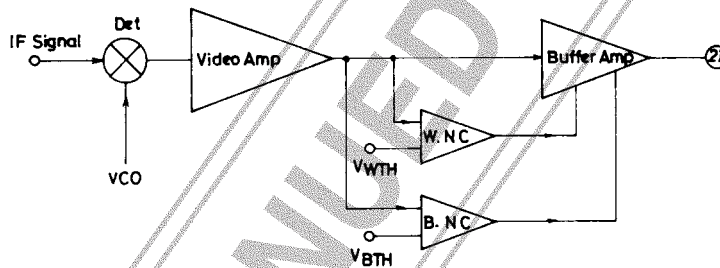


Fig.3-1

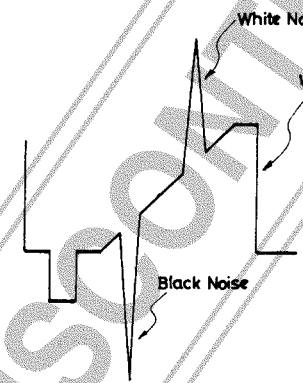


Fig.3-2

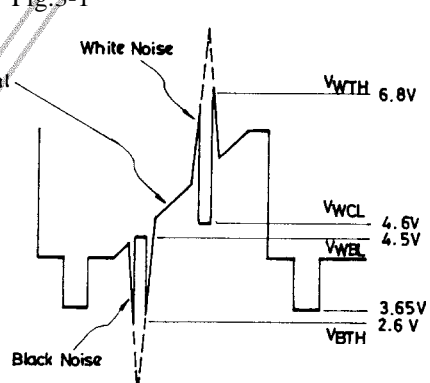


Fig.3-3

4. Lock detector

As shown in Fig.4-1, the lock detector is an APC time constant switching detection circuit which expands the APC pull-in range. The detection circuit operates by the OR of the IF AGC voltage and the video signal. The weak field is detected by the IF AGC voltage and the unlock state when detuned is detected from the video signal.

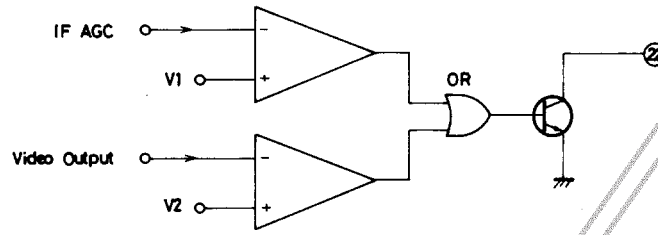


Fig.4-1

5. AGC detector

As shown in Fig.5-1, the AGC detector is equipped with a noise canceller function which prevents malfunction of the AGC system. The AGC detection output (pin 13) is also used for video output, FM detection output, and as the simultaneous mute (AV MUTE) pin.

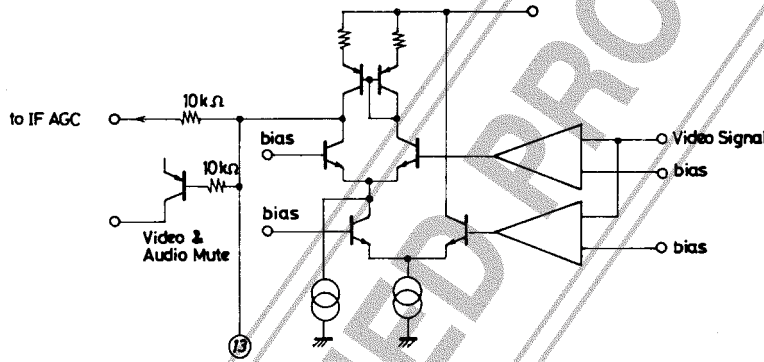


Fig.5-1

6. RF AGC

As shown in Fig.6-1, the RF AGC controls the gain of the tuner's RF amplifier. Measurement is made whether the region is snow region (noise on the screen, poor S/N ratio) or a saturation region (contours can be clearly seen but look bad due to video signal distortion), and the RF AGC delay point is set as shown in Fig6-2. Pin 10 is also used for video output, FM detection output, and as the simultaneous mute (AV MUTE) pin.

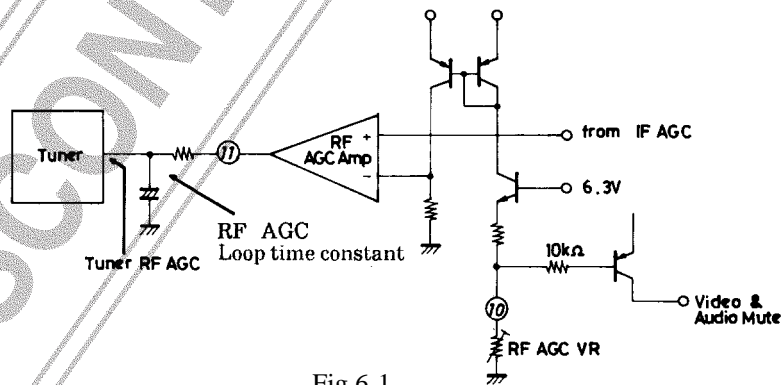


Fig.6-1

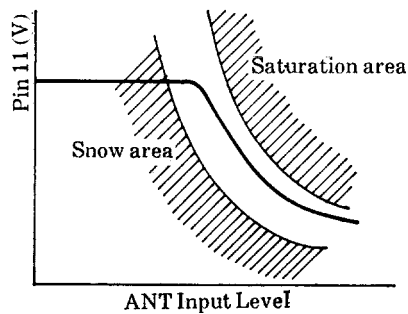


Fig.6-2

7. AFT

As shown in Fig.7-1, the AFT is a balanced-type using a quadrature detection circuit. The input signal is shifted 90° by the internal capacitor and external phase shifter, and quadrature-detected. Pin 14 is also used as the AFT Defeat pin. Fig.7-1

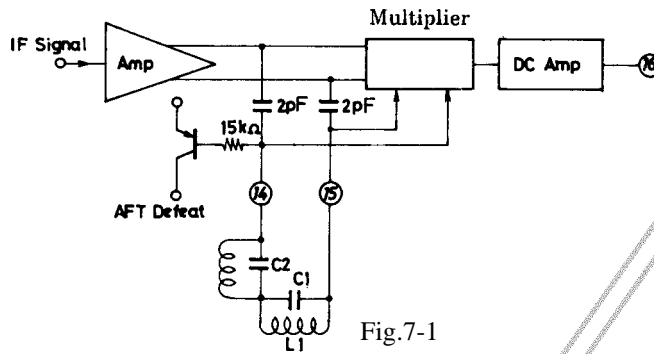


Fig.7-1

C2 forms a sound trap for preventing malfunction of the AFT.

8. SIF limiting amplifier

As shown in Fig.8-1, the SIF limiting amplifier is an unbalanced limiting amplifier consisting of four stages directly connected. There is negative feedback within the IC to balance the differential amplifier.

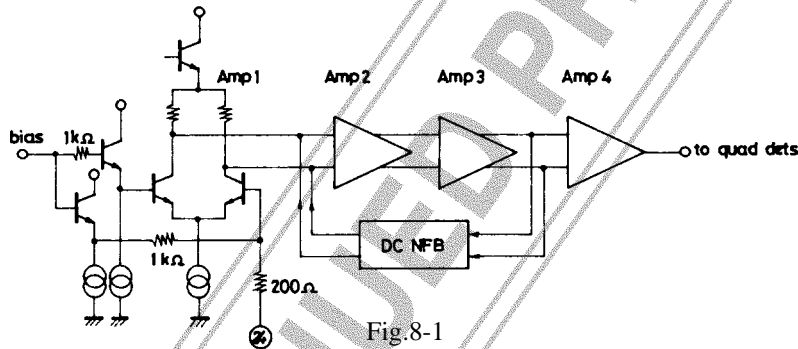


Fig.8-1

9. Quadrature detection

SIF quadrature detection is by the single pin detector with internal phase shift capacitor, shown in Fig.9-1. FM detection is by shifting the SIF signal 90° and multiplying it. The characteristics of the phase shifting circuit are as follows :

1. Demodulation output mainly Q_L
2. Distortion ... linearity of phase shifting circuit, symmetry of S curve.

The linearity of the phase shifting circuit can be improved by lowering Q_L and increasing the band with a single-tuned circuit, but the FM detection output will drop.

Pin 2 is also used as the SIF mute pin.

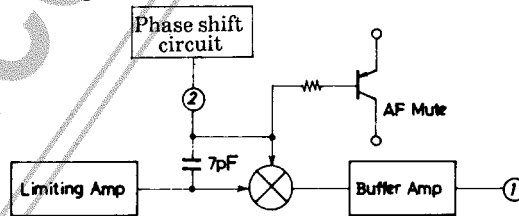


Fig.9-1

10. Electronic volume control

As shown in Fig.10-1, this is an electronic volume control, having a control pin with high input impedance. The attenuation curve is a logarithmic curve. The external audio input impedance is approximately 30kΩ.

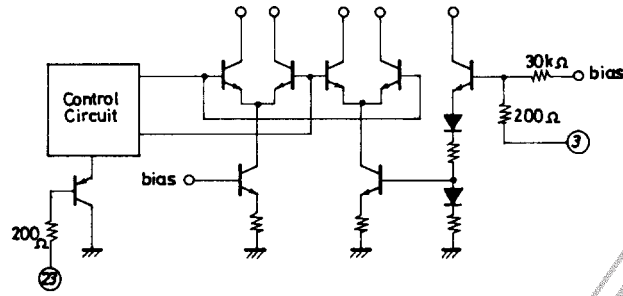


Fig.10-1

11. AF amplifier

As shown in Fig.11-1, this is an AF amplifier equipped with an NFB pin. An audio power amplifier can be easily configured by use of this NFB pin. The gain of the power amplifier can be controlled by the ratio of R1 and R2.

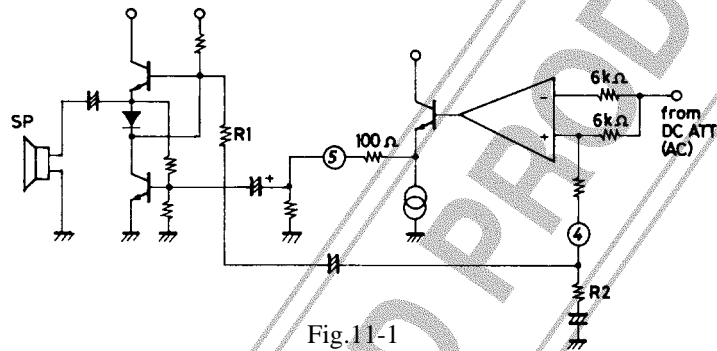


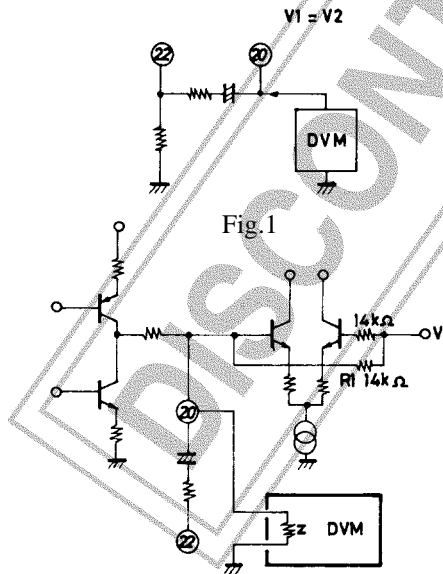
Fig.11-1

VCO adjustment methods

The following two methods are available for adjusting the VCO.

1. APC voltage offset adjustment method

- a. Connect a digital voltmeter to pin 20 (APC filter pin) (Fig.1).
- b. Lower the IF input level and connect the IF AGC (pin 13) to GND. Measure the voltage on pin 20 at this time.
- c. Raise the IF input level to the desired value. Free the IF AGC from GND (internal AGC). Adjust the VCO so that the voltage (V2) on pin 20 is equal to V1.



Note : When adjusting by this method, use a DVM (digital voltmeter) with high input impedance. At Zi=10MΩ, the adjustment error is approximately 20kHz, The error (ΔV) with the DVM connected is.

$$\Delta V \text{ (mV)} = V \left(1 - \frac{R_1}{Z + R_1} \right)$$

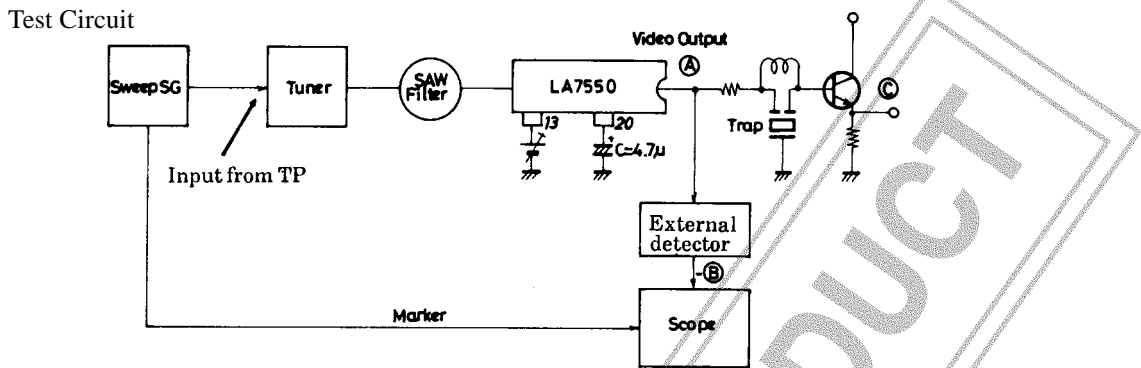
The change in VCO free-running frequency (Δf) according to ΔV is Δf (kHz)=ΔV×β where β=VCO control sensitivity (kHz/mV)

2. Direct reading method

- a. Lower the IF input level and adjust the IF AGC (pin 13) to between GND and about 4V (VCO free run).
- b. Monitor the carrier frequency leaking from pins other than the VCO coil, or pattern, chassis, and adjust the VCO coil to obtain the desired frequency (fp).

Measurement of VIF selectivity characteristics

The pull-in range of the PLL-type VIF IC is approximately $\pm 2\text{MHz}$. Thus, it is not possible to measure the matching characteristics of the tuner SAW filter easily as with the dummy synchronization detection method. The following is just one example of how to measure the selectivity characteristics for a single signal.



Conditions

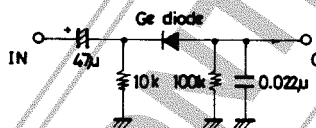
1. Apply voltage to the IF AGC (pin 13) and adjust until the video output (A) is 0.5Vp-p.
2. Attach a 4.7µF capacitor to the APC filter (pin 20) so that the PLL is unlocked.
3. The waveform shown in the diagram below can be monitored through the externally mounted detector.



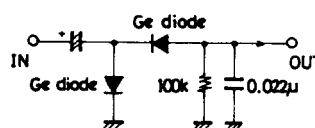
Note : Error will occur in the measurement of the selectivity characteristics if the video frequency changes between (A) and (C) (by a video equalizer, etc.)

Externally Mounted Detector (Example)

(1)



(2) Voltage doubler type



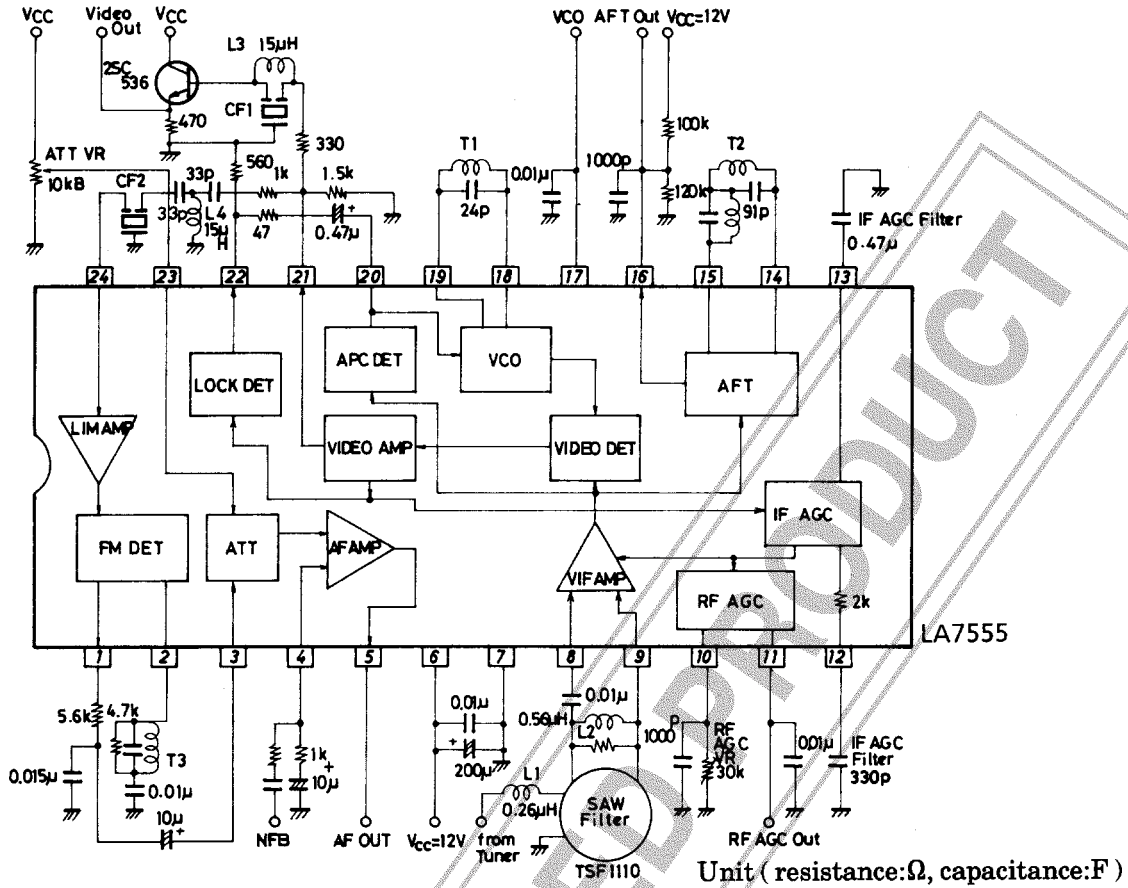
Ge: Germanium diode

Unit (resistance:Ω, capacitance:F)

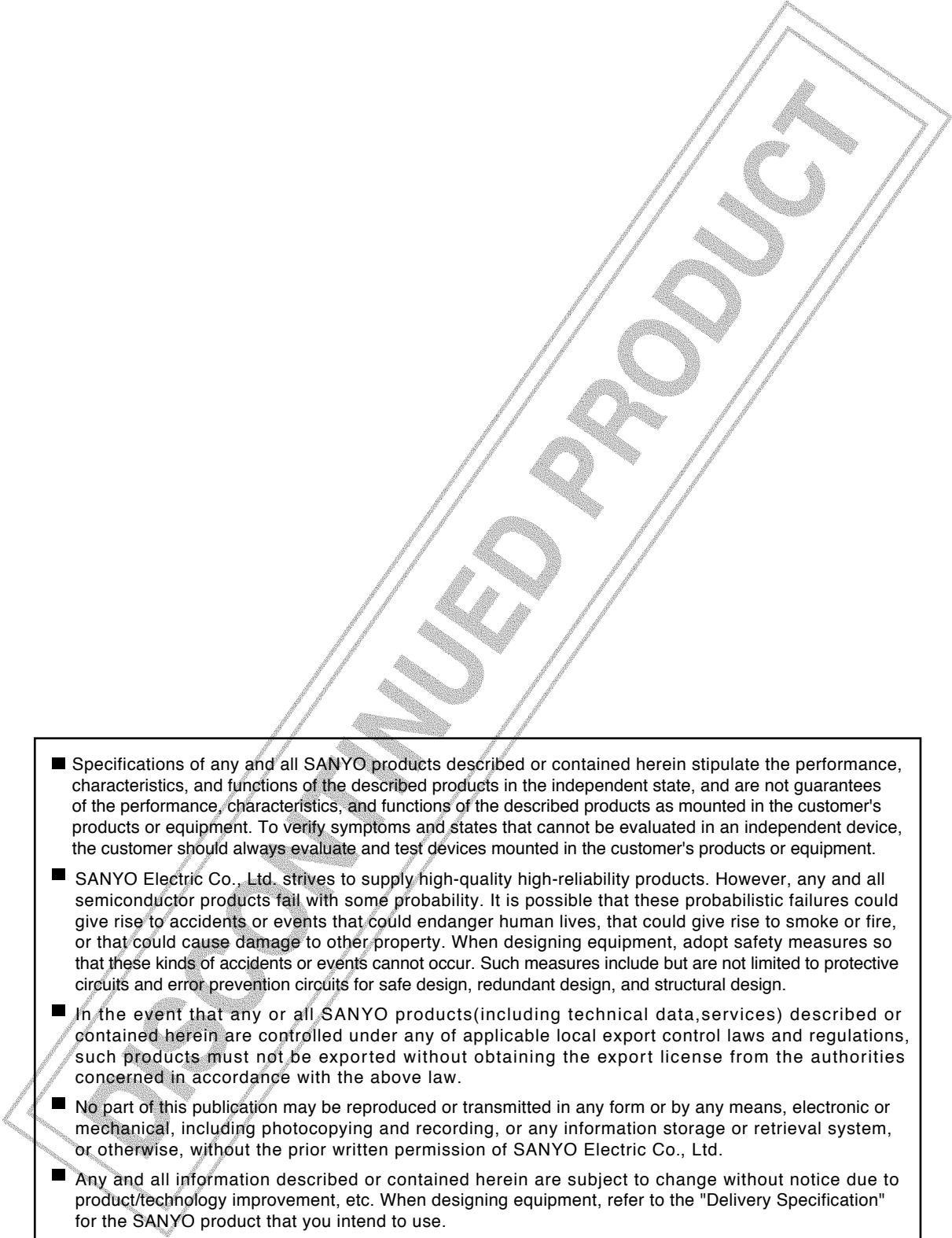
DISCONTINUED PRODUCT

LA7555

Sample Application Circuit (JAPAN)



Item	T1 : VCO coil	T2 : AFT coil	T3 : SIF coil	SW filter
JAPAN $f_p=58.75\text{MHz}$	<p>7mm square 0.12φ 6t C=24pF PH S-CORE HW-6226-4 MITSUMI</p>	<p>7mm square 0.5φ 3 1/2t External c=91pF MA-6342 MITSUMI</p>	<p>7mm square 0.08φ 19t - 19t C=100pF KS-6102-1 MITSUMI</p>	SAW Filter TSF1110 SANYO
US $f_p=45.75\text{MHz}$	<p>7mm square 0.12φ 9t C=24pF PH S-CORE HW-6227-4 MITSUMI</p>	<p>7mm square 0.5φ 5 1/2t External c=91pF MA-6343 MITSUMI</p>	<p>7mm square 0.08φ 19t - 19t C=100pF KS-6102-1 MITSUMI</p>	SAW Filter TSF1203 SANYO TSF1212 SANYO
PAL $f_p=38.9\text{MHz}$	<p>7mm square 0.12φ 11t C=24pF PH S-CORE MA-6389 MITSUMI</p>	<p>7mm square 0.5φ 6 1/2t External c=91pF MA-7115 MITSUMI</p>		SAW Filter TSF1303 SANYO

- 
- Specifications of any and all SANYO products described or contained herein stipulate the performance, characteristics, and functions of the described products in the independent state, and are not guarantees of the performance, characteristics, and functions of the described products as mounted in the customer's products or equipment. To verify symptoms and states that cannot be evaluated in an independent device, the customer should always evaluate and test devices mounted in the customer's products or equipment.
 - SANYO Electric Co., Ltd. strives to supply high-quality high-reliability products. However, any and all semiconductor products fail with some probability. It is possible that these probabilistic failures could give rise to accidents or events that could endanger human lives, that could give rise to smoke or fire, or that could cause damage to other property. When designing equipment, adopt safety measures so that these kinds of accidents or events cannot occur. Such measures include but are not limited to protective circuits and error prevention circuits for safe design, redundant design, and structural design.
 - In the event that any or all SANYO products(including technical data, services) described or contained herein are controlled under any of applicable local export control laws and regulations, such products must not be exported without obtaining the export license from the authorities concerned in accordance with the above law.
 - No part of this publication may be reproduced or transmitted in any form or by any means, electronic or mechanical, including photocopying and recording, or any information storage or retrieval system, or otherwise, without the prior written permission of SANYO Electric Co., Ltd.
 - Any and all information described or contained herein are subject to change without notice due to product/technology improvement, etc. When designing equipment, refer to the "Delivery Specification" for the SANYO product that you intend to use.
 - Information (including circuit diagrams and circuit parameters) herein is for example only ; it is not guaranteed for volume production. SANYO believes information herein is accurate and reliable, but no guarantees are made or implied regarding its use or any infringements of intellectual property rights or other rights of third parties.

This catalog provides information as of October, 2000. Specifications and information herein are subject to change without notice.