

**LC7267,7268**

c-mos LSI

CIRCUIT DRAWING  
No.4057**DIGITAL 5-DIGIT FREQUENCY INDICATOR**

3025B

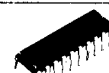
**Use:** Received frequency display in radio receivers and time display

**Functions**

- Frequency display/time display selectable
- Displays received frequency of each band of FM, MW, LW
  - LC7267: LED static display
  - LC7268: FLT static display
- Number of display digits: FM – 5 digits, MW, LW – 4 digits
- Covers intermediate frequencies shown below.
  - FM: +10.700, +10.725, +10.750, +10.675MHz  
-10.700, -10.725, -10.675, -10.650MHz
  - MW, LW: +450kHz (1) – 10kHz step display  
+450kHz (2) – 1kHz step display  
+455kHz – 1kHz step display  
+469kHz – 1kHz step display
- Uses the LB3500 ( $\div 8$  prescaler) jointly at the time of FM reception.
- 12-hour display mode with PM sign/24-hour display mode selectable
- Easy to set time by the time signal.
- Inhibit pin for inhibiting time setting with display unlighted
- 7.2MHz crystal resonator for reference frequency
- Supply voltage  $V_{DD}$ : 4.5V to 10V
- Package: DIP42S

**LC7350,7351**

c-mos LSI

CIRCUIT DRAWING  
No.4058,4059**PULSE DIALER**

3007A(LC7350),3021B(LC7351)

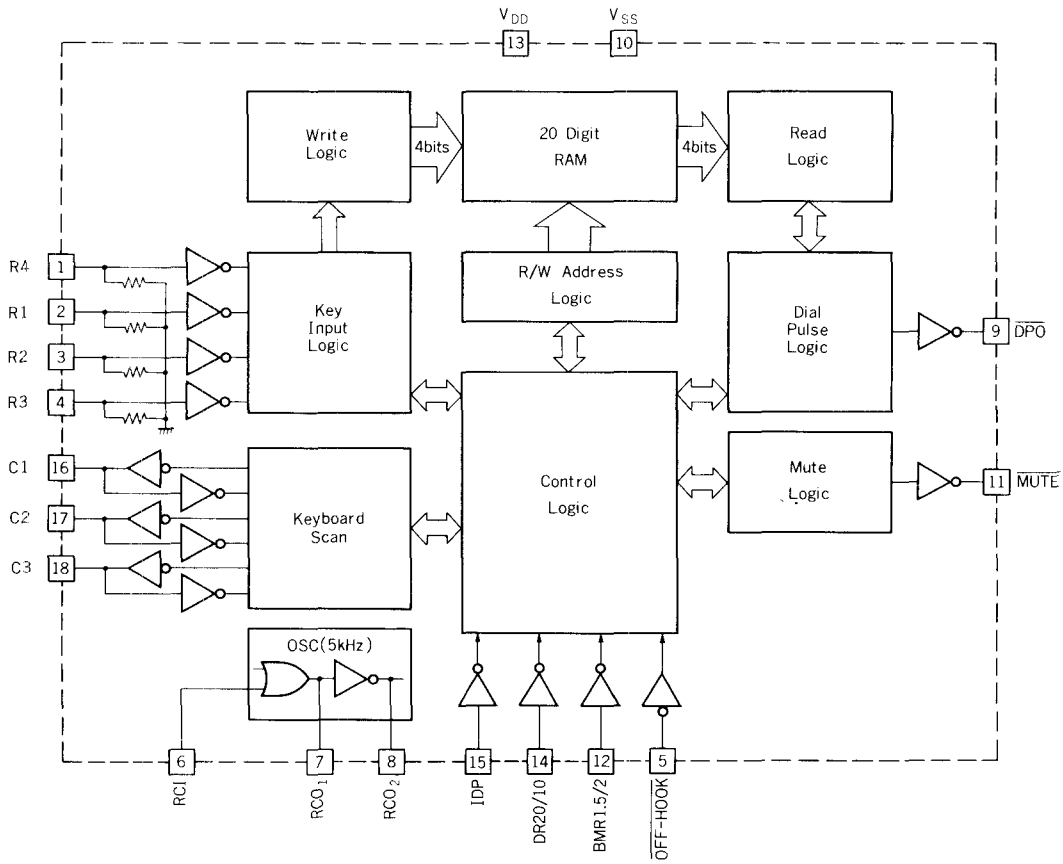
**General Description**

The LC7350 (18-pin package)/LC7351 (20-pin package) are redial function-provided pulse dialer C-MOS LSI's for use in pushbutton telephones.

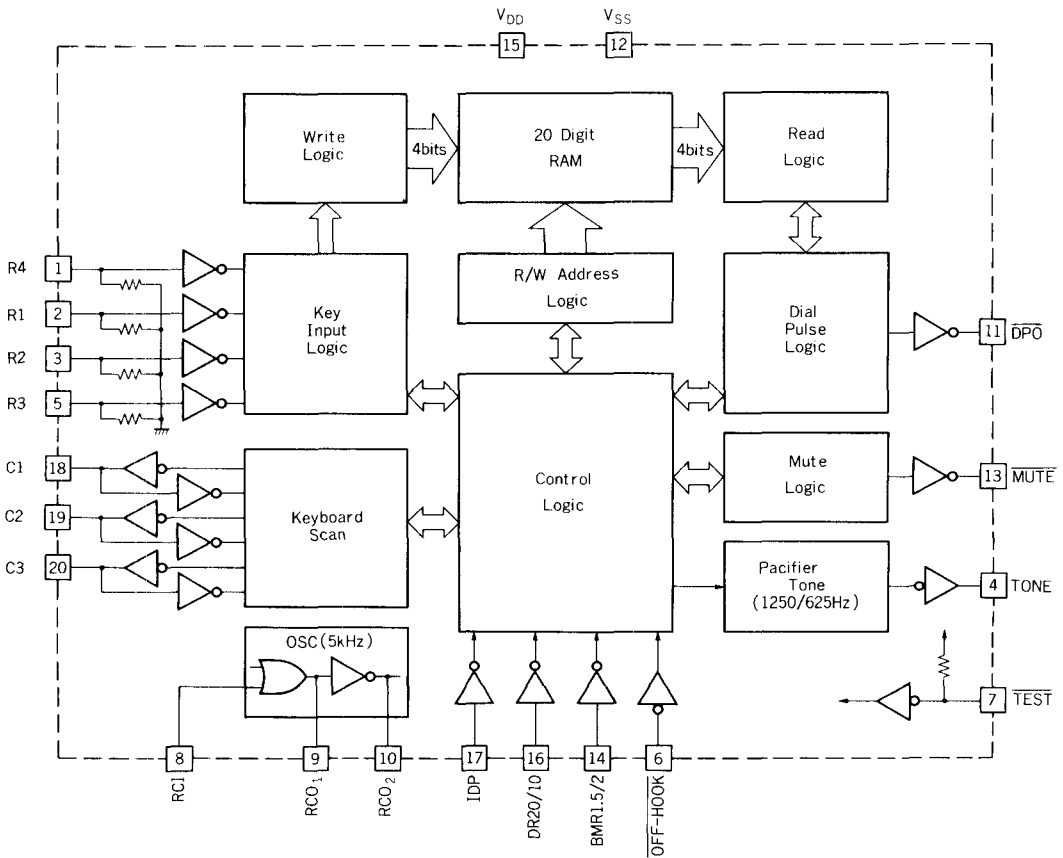
**Features**

- Low voltage C-MOS process for direct operation from telephone line.
- Possible to use single contact or standard 2-of-7 key pad.
- Contains inexpensive R-C oscillator ( $f_{OSC} = 5\text{kHz typ.}$ ).
- Two selections of output pulse rates (20pps or 10pps).
- Two selections of output pulse break/make ratios (1.5 or 2).
- Two selections of inter-digit pause (400ms or 800ms).
- Provides redial mode ("#" key) with access code (2 digits or less) meeting PBX requirements.
- Contains 20-digit FIFO (First-In-First-Out) buffer memory.
- Key touch tone output (1250Hz/625Hz alternating pacifier tone) capability for LC7351 (20-pin package)
- Supply voltage/operating temperature:  $V_{DD} = 1.5$  to  $3.5\text{V}/T_{opg} = -30$  to  $+70^\circ\text{C}$
- Operating current:  $I_{DD} = 100\mu\text{A max.}$  ( $V_{DD} = 3.5\text{V}$ ),  $I_{DD} = 20\mu\text{A max.}$  ( $V_{DD} = 1.5\text{V}$ ).

**4058:LC7350**  
**BLOCK DIAGRAM**



**4059:LC7351**  
**BLOCK DIAGRAM**



## TELEPHONE APPLICATIONS (monolithic integrated circuit)

Type Number	Page	Case			Circuit Drawing No.	Circuit Functions & Applications	Main Specifications
		Package	Pins	Package No.			
⊙LC7150	221	DIP	18	3007A	4051	PLL Synthesizer for Cordless Telephone	PLL for transmission and PLL for reception (for new FCC 10ch), VDD=3.0 to 5.5V
⊙LC7350	224	DIP	18	3007A	4058	Pulse Dialer	Low-voltage operation (VDD=1.5 to 3.5V), redial function, equivalent to S2560A (complementary output)
⊙LC7351	224	DIP	20	3021B	4059	Pulse Dialer (With Beep Tone)	Low-voltage operation (VDD=1.5 to 3.5V), redial function, equivalent to S2560A, beep tone (complementary output)
⊙LC7352	225	DIP	18	3007A	4060	Pulse Dialer	Low-voltage operation (VDD=1.5 to 3.5V), redial function, equivalent to S2560A (key entry, L)
⊙LC7353	225	DIP	18	3007A	4061	Pulse Dialer	Low-voltage operation (VDD=1.5 to 3.5V), redial function, equivalent to S2560A (open drain)
⊙LC7354	225	DIP	20	3021B	4061	Pulse Dialer (With Beep Tone)	Low-voltage operation (VDD=1.5 to 3.5V), redial function, equivalent to S2560A (open drain)
⊙LC7355	226	DIP	18	3007A	4062	Pulse Dialer	Low-voltage operation (VDD=1.5 to 3.5V), redial function, equivalent to S2560A (IDP available)
⊙LC7356	226	DIP	20	3008A	4062	Pulse Dialer (With Beep Tone)	Low-voltage operation (VDD=1.5 to 3.5V), redial function, equivalent to S2560A (IDP available)
⊙LC7365	226	DIP	16	3006A	4063	Tone Dialer	Low-voltage operation (VDD=1.5 to 3.5V), redial function, equivalent to S2559
⊙LC7366	226	DIP	16	3006A	4064	Tone Dialer	Microcomputer-controlled version of LC7365 (improvement in interface)
⊙LC7370	226	DIP	42	3014A	4065	Repertory Dialer	5-telephone number (16 digits) memory, redial function, 1-digit LED display, LC3514 connectable externally

## CMOS STANDARD LOGICS (B SERIES) (monolithic integrated circuit)

Type Number	Page	Case			Circuit Drawing No.	Circuit Functions & Applications	Main Specifications
		Package	Pins	Package No.			
LC4001B	206	DIP	14	3003A	4006	Quad 2 input NOR Gate	Standard logic SSI (4000B series), directly interchangeable with 4000B series of other suppliers
LC4001BM	207	MFP	14	3034A	4006	Quad 2 input NOR Gate	Standard logic SSI (4000B series), miniflat package version of LC4001B
LC4011B	207	DIP	14	3003A	4007	Quad 2 input NAND Gate	Standard logic SSI (4000B series), directly interchangeable with 4000B series of other suppliers
LC4011BM	207	MFP	14	3034A	4007	Quad 2 input NAND Gate	Standard logic SSI (4000B series), miniflat package version of LC4011B
LC4012B	207	DIP	14	3003A	4008	Dual 4 input NAND Gate	Standard logic SSI (4000B series), directly interchangeable with 4000B series of other suppliers