
4-Channel Audio Processor IC

PT2313L

Description

PT2313L is a four-channel digital control audio processor utilizing CMOS Technology. Volume, Bass, Treble and Balance, Front/Rear Fader Processor are incorporated into a single chip. Loudness Function and Selectable Input Gain are also provided to build a highly effective electronic audio processor having the highest performance and reliability with the least external components. All functions are programmable using the I²C Bus. The pin assignments and application circuit are optimized for easy PCB layout and cost saving advantage for audio application. Housed in a 28-pin DIP/SO Package, PT2313L is pin-to-pin compatible with TDA7313 and is very similar in performance with the later.

Features

- CMOS Technology
- Least External Components
- Treble and Bass Control
- Loudness Function
- 3 Stereo Inputs with Selectable Input Gain
- Input/Output for External Noise Reduction System/Equalizer
- 4 Independent Speaker Controls for Fader and Balance
- Independent Mute Function
- Volume Control in 1.25 dB/step
- Low Distortion
- Low Noise and DC Stepping
- Controlled by I²C Bus Micro-Processor Interface
- Pin-to-pin Compatible with TDA7313

Applications

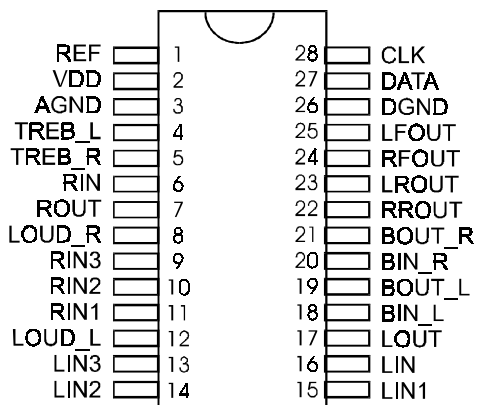
- Car Stereo (Audio)
- Hi-Fi Audio System

Note: Purchase of I²C Component of Princeton Technology Corporation (PTC) conveys a license under Philips I²C Patent Right to use these components in any I²C System, provided that the system conforms to the I²C Standard Specification defined by Philips

4-Channel Audio Processor IC

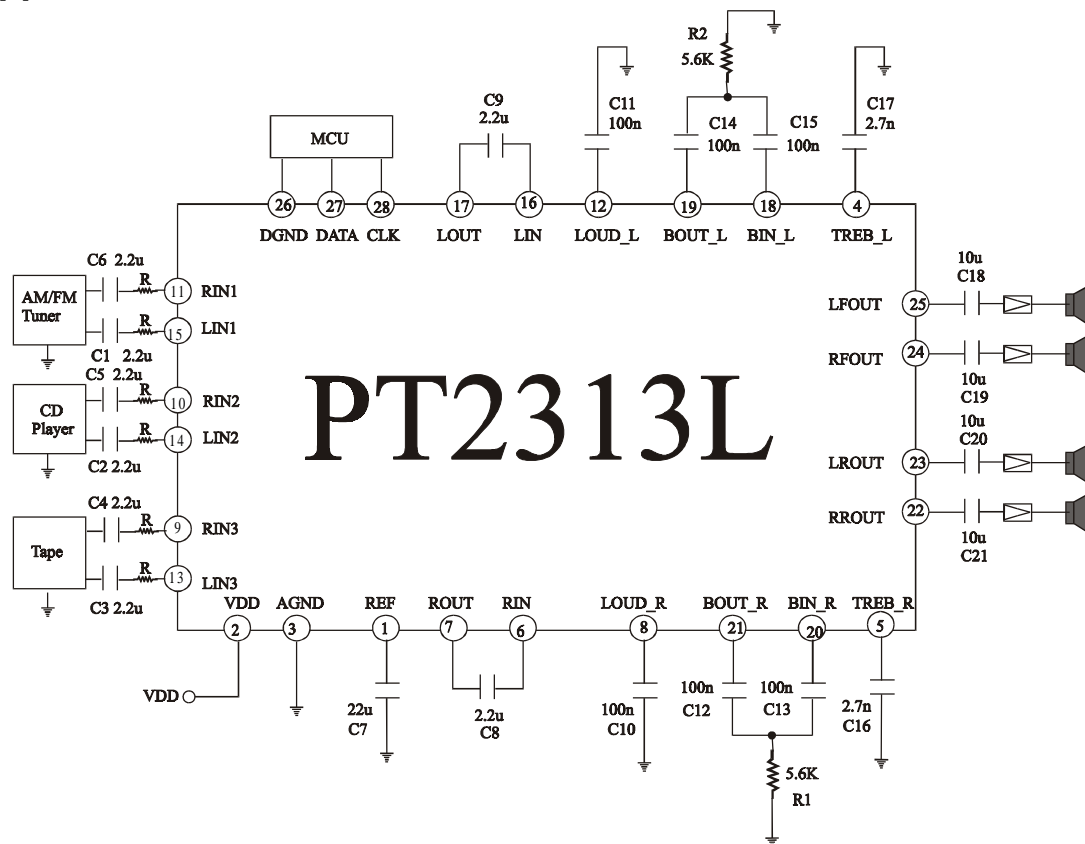
PT2313L

Pin Configuration



PT2313L

Application Circuit



PT2313L

Note: 1. The Resistor (R) Range = 2.0K Ohms to 3.6 K Ohms.
 2. Resistor (R) Recommended Value = 2.4 K Ohms

4-Channel Audio Processor IC

PT2313L

Order Information

Valid Part Number	Package Type
PT2313L-D	28 Pins, DIP (300 mil)
PT2313L	28 Pins, SO (300 mil)