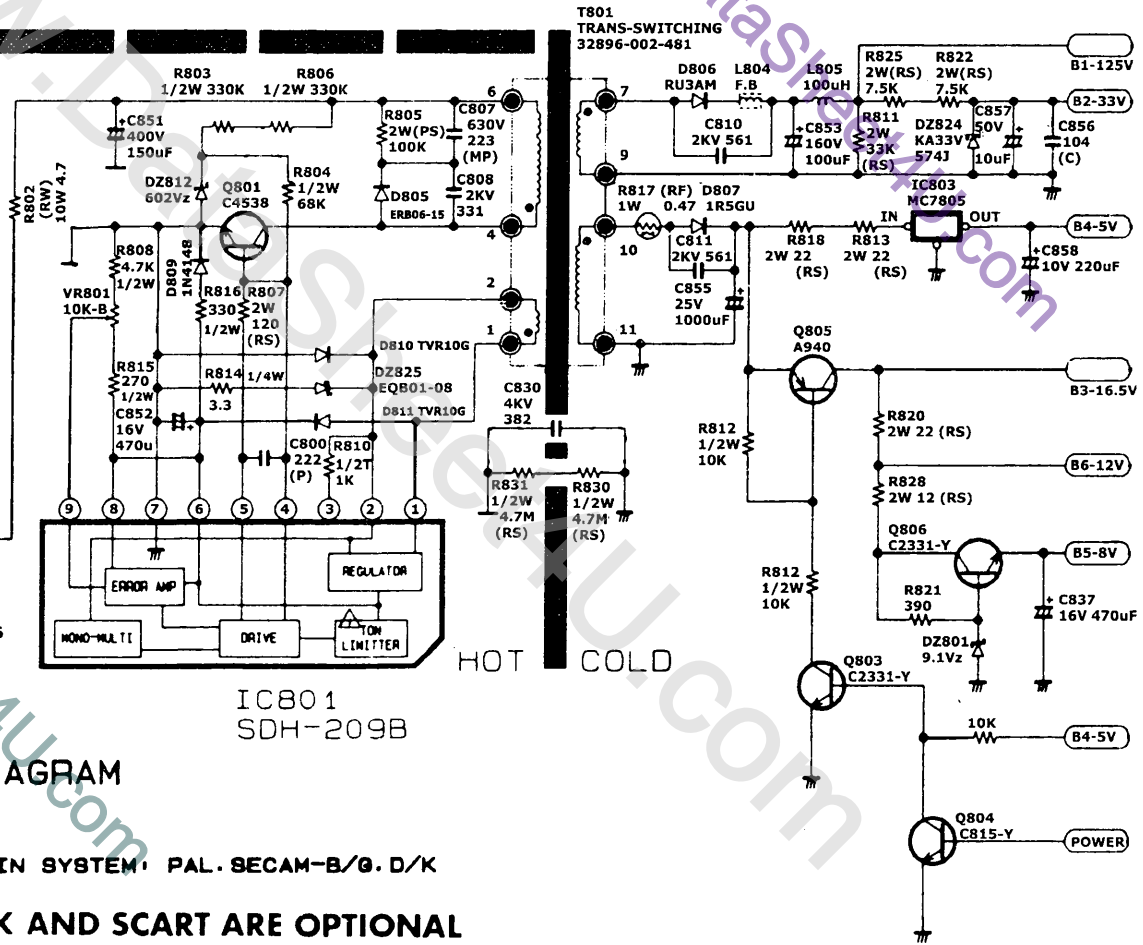


**micro**  
ELECTRONIC  
Dragoljub Janković  
microe@ptt.yu  
031/ 512 402 - 514 582



**SCHEMATIC DIAGRAM**  
**CHASSIS : P68SA1**

**BOARD NAME : MAIN SYSTEM: PAL. SECAM-B/G. D/K**

**NOTE: SECAM, D/K AND SCART ARE OPTIONAL**

