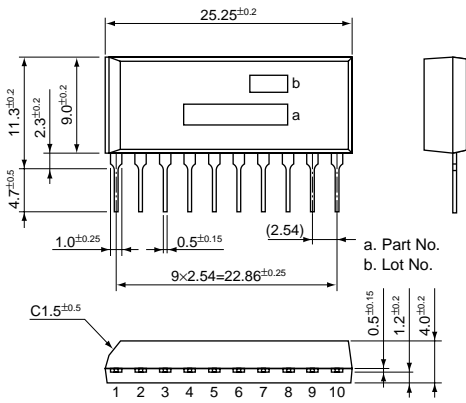


With Built-in Avalanche Diode between Collector and Base

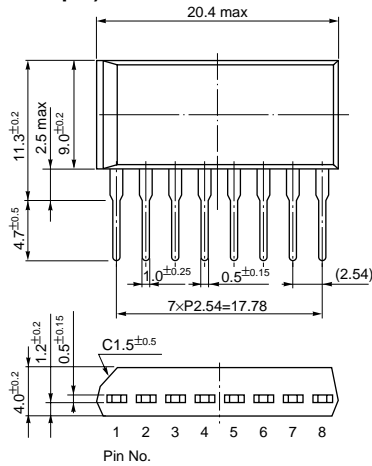
Part No.	Number of Circuits	$V_{CE0}(V)$		Chip	$h_{FE}$ (min)	$R_{DS(ON)}$ max( $\Omega$ )	Package	Fig. No.
		$V_{DSS}(V)$	$I_C(A)$ $I_B(A)$					
STA460C	2	60±10		Bipolar	700		SIP10Pin	1
STA371A	3	60±10		Bipolar	2000		SIP8Pin	2
STA301A				Bipolar	1000		SIP8Pin	
SDC06	4	30~45		Bipolar	400		SMD16Pin	3
STA413A		35±5		Bipolar	500		SIP10Pin	1
STA481A		60±10		Bipolar	2000		SIP10Pin	
SDC03				Bipolar	2000		SMD16Pin	3
STA471A				Bipolar	2000		SIP10Pin	1
STA401A				Bipolar	1000		SIP10Pin	
SLA4010		60±10		Bipolar	2000		SIP12Pin with fin	4
STA406A				Bipolar	2000		SIP10Pin	1
STA435A		65±15		Bipolar	1000		SIP10Pin	
STA485A		100±15		Bipolar	2000		SIP10Pin	3
SDC04	Bipolar			2000		SMD16Pin		
STA475A	Bipolar			2000		SIP10Pin	1	

External Dimensions

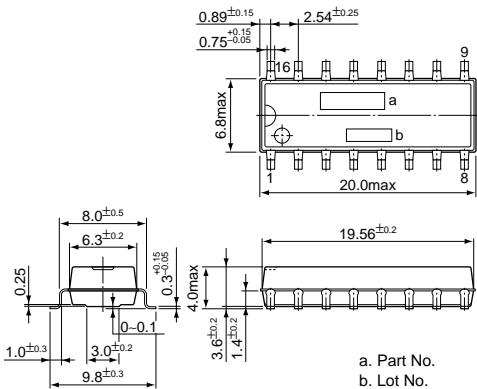
• No. 1 (STA 10 pin)



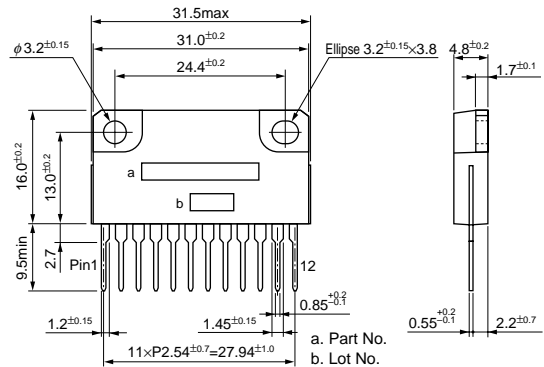
• No. 2 (STA 8 pin)



• No. 3 (SD)



• No. 4 (SLA 12 pin)



(unit: mm)