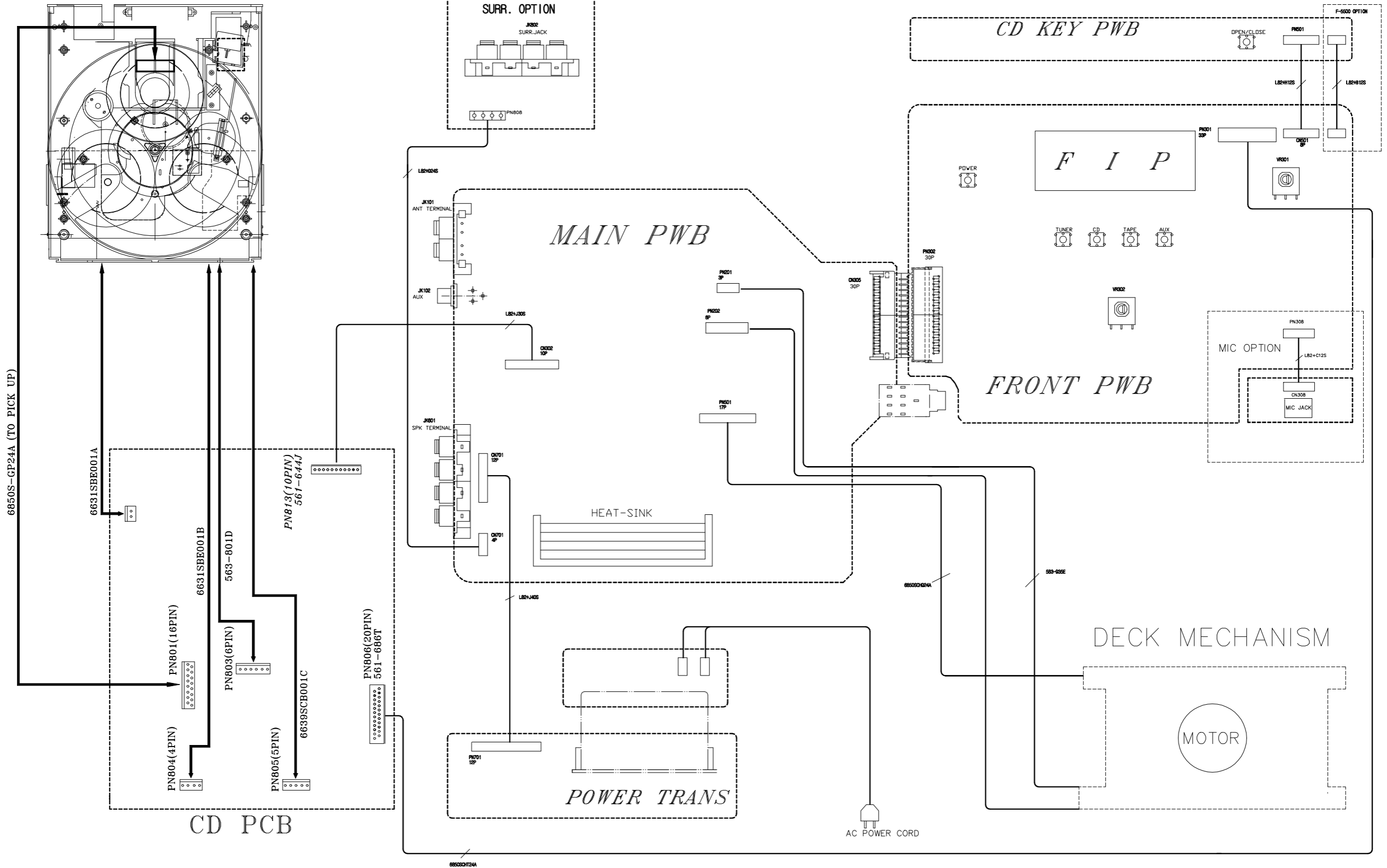


# CD MECHANISM



6650S-CP24A (TO PICK UP)

CD PCB

MAIN PWB

CD KEY PWB

F I P

FRONT PWB

DECK MECHANISM

POWER TRANS

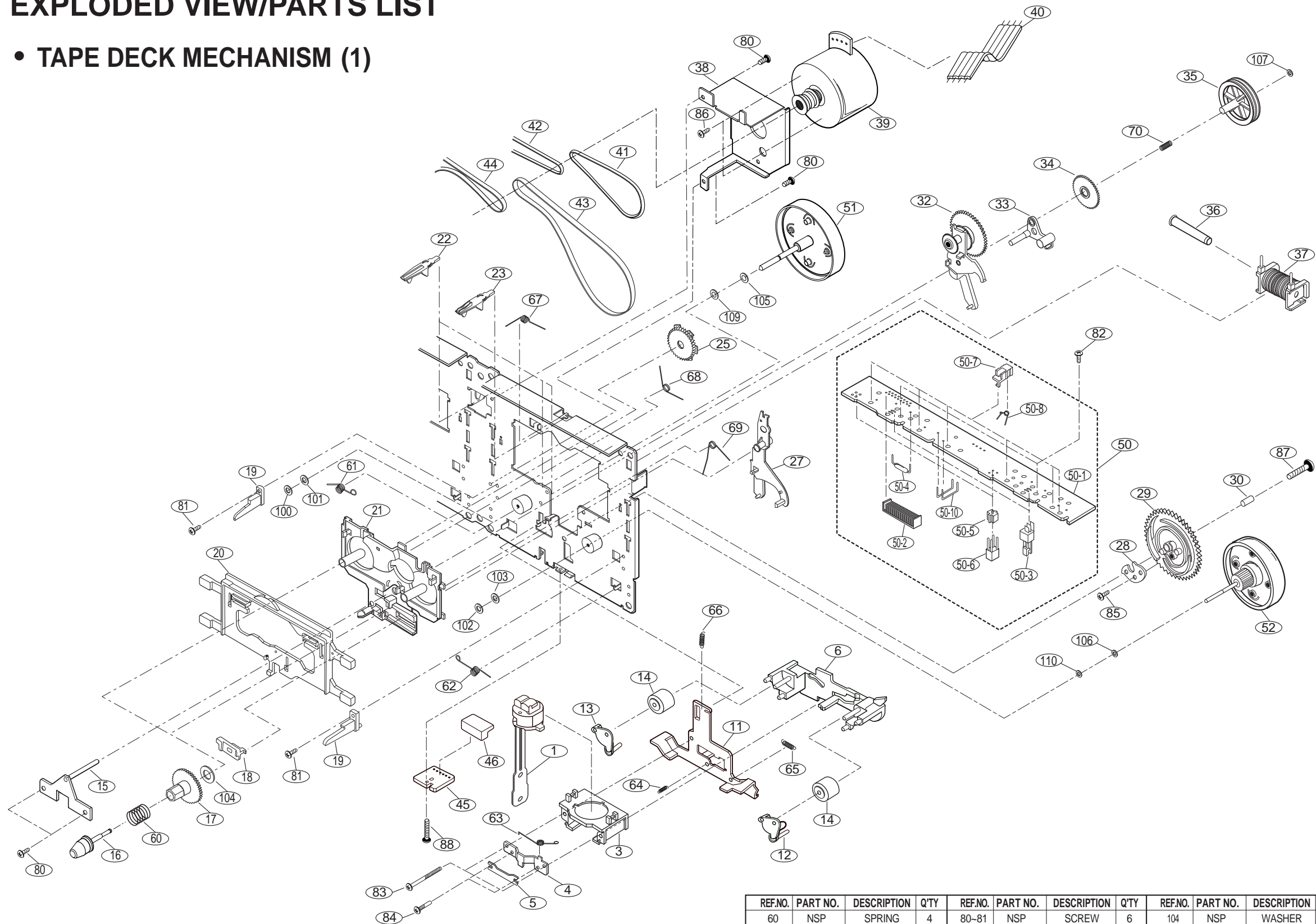
MOTOR

AC POWER CORD

6650SCH12A

# EXPLODED VIEW/PARTS LIST

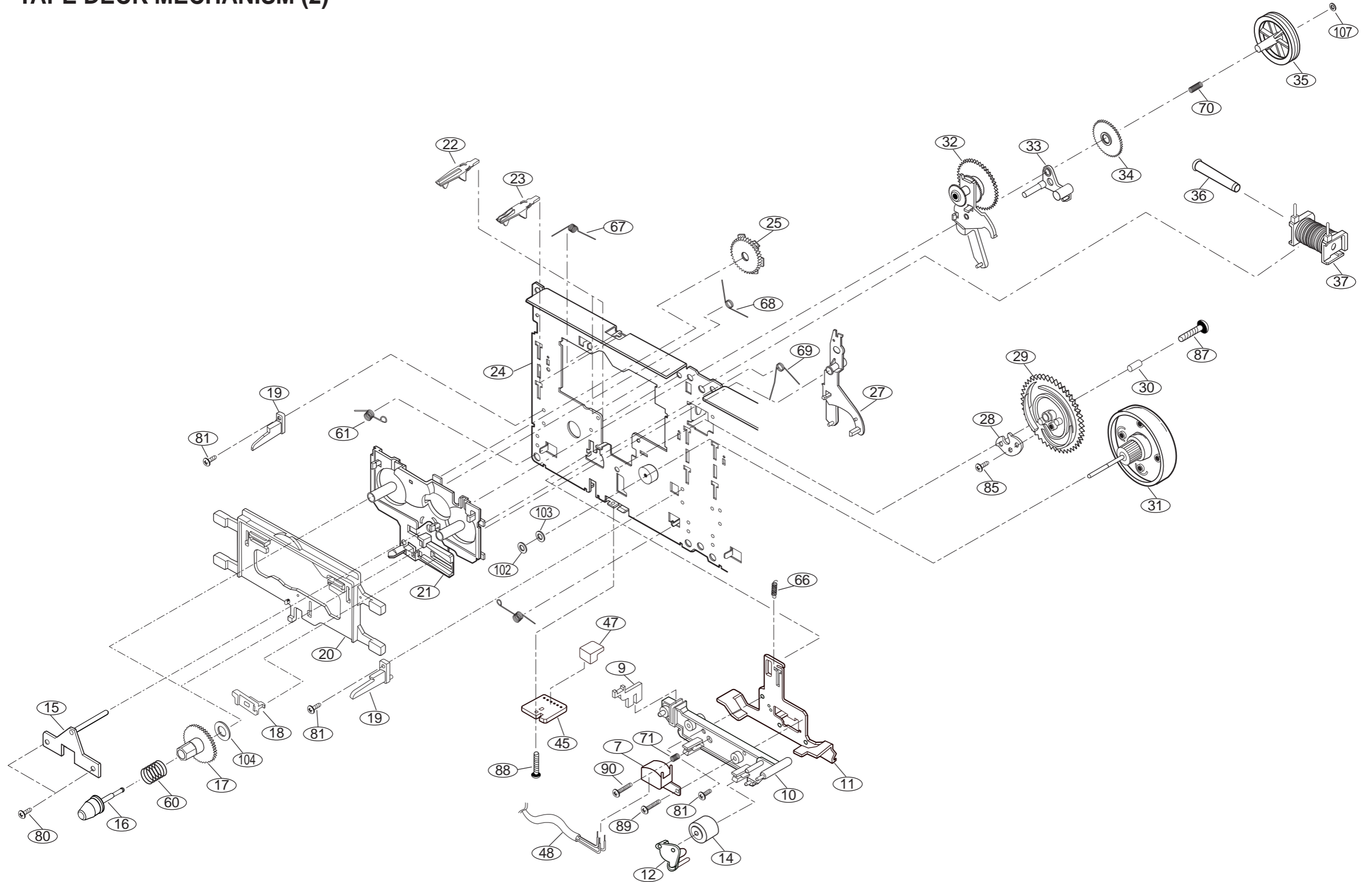
## • TAPE DECK MECHANISM (1)



REF.NO.	PART NO.	DESCRIPTION	Q'TY
1	6768S-EP01A	ASS'Y HD HOLDER	1
3	NSP	EF.AME HD	1
4	NSP	PLATE AZ	1
5	NSP	SPRING AZ	1
6	NSP	LEVER HD	1
7	6768S-HP03A	PB HEAD	1
9	NSP	GUIDE TAPE	1
10	NSP	PLATE HD	1
11	NSP	CHASSIS HD	0
12	NSP	CAP PINCH R	2
13	NSP	CAP PINCH L	1
14	NSP	ROLLER PINCH	3
15	NSP	ASS'Y PLATE D	2
16	NSP	CAP REEL	4
17	NSP	GEAR REEL	4
18	NSP	LEVER ST	2
19	NSP	GUIDE C	4
20	NSP	LEVER BRAKE B	2
21	NSP	FRAME A	2
22	6768S-AP02C	ARM SW	4
23	6768S-AP02B	ARM CS	2
24	NSP	ASS'Y CHASSIS	1
25	NSP	ASS'Y COVER	2
27	6768S-AP02A	ARM TRIGGER	2
28	NSP	ARM CAM	2
29	NSP	GEAR CAM	2
30	NSP	COLLER	2
31	NSP	ASS'Y FL YWHEEL R	1
32	6768S-GP02A	ASS'Y CLUTCH	2
33	NSP	ARM UD B	2
34	NSP	GEAR UD	2
35	NSP	PULLEY D	2
36	NSP	PLUNGER	2
37	6768S-VP01A	ASS'Y BOBBIN	2
38	NSP	BRACKET MM	1
39	6768S-OP01A	ASS'Y MOTOR	1
40	NSP	WIRE MM	1
41	6768S-BP04A	BELT BFR	1
42	6768S-BP04B	BELT AFR	1
43	6768S-BP04C	BELT BR	1
44	6768S-BP04D	BELT AF	1
45	NSP	PCB HD	2
46	NSP	HOUSING	1
47	NSP	HOUSING	1
48	NSP	WIRE HD B	1
50	NSP	ASS'Y PCB	1
50-1	NSP	PCB	1
50-2	NSP	HOUSING	1
50-3	6768S-TP01B	MODE SW	2
50-4	NSP	RESISTER	1
50-5	NSP	SPACER	2
50-6	6768S-XP01B	PHOTOINTERRUPTER	2
50-7	6768S-MP02A	BOX SW	6
50-8	6768S-SP02A	SPRING SW	4
50-10	NSP	JAMPER WIRE	2
51	NSP	ASS'Y FLYWHEEL L	1
52	NSP	ASS'Y FLYWHEEL L	1

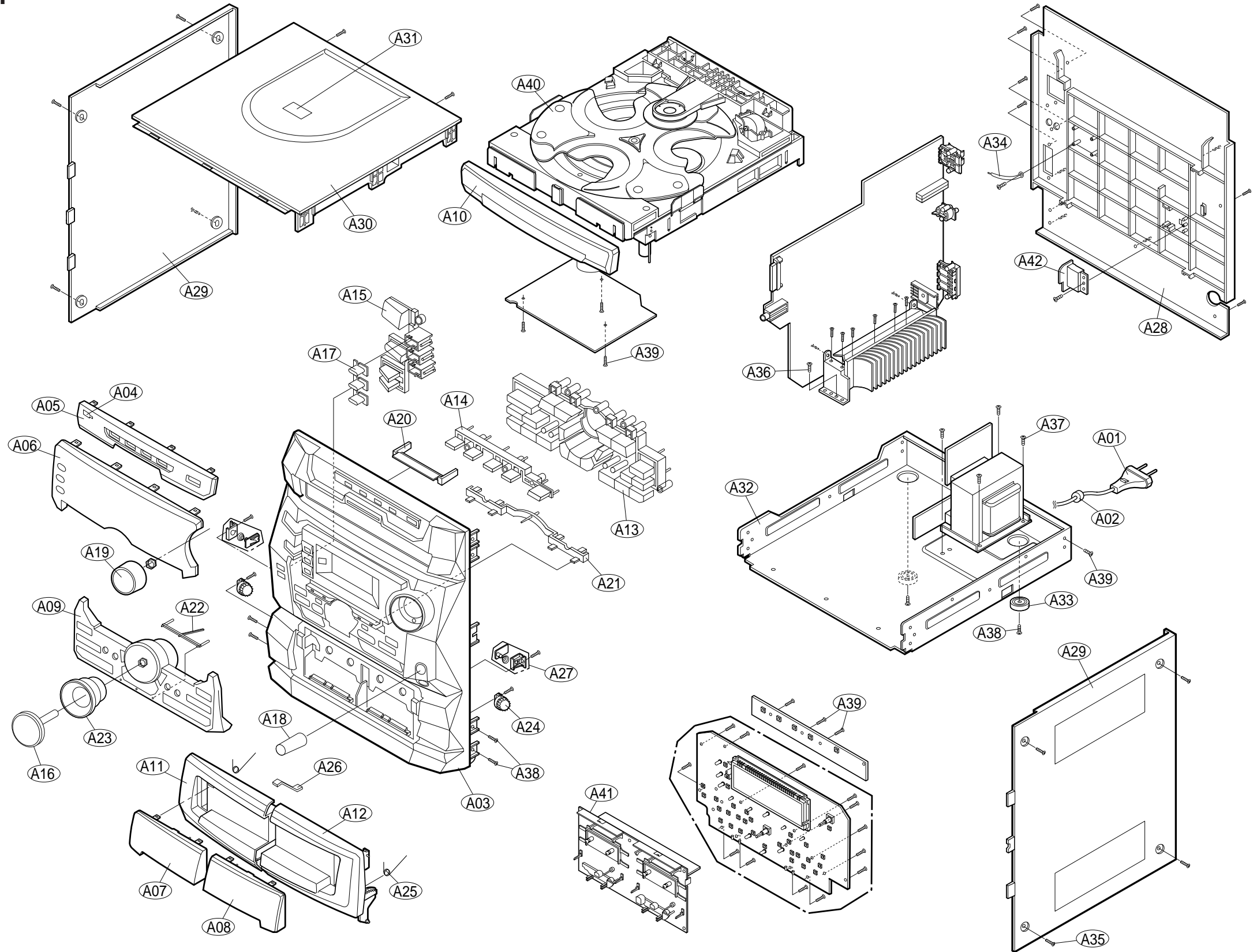
REF.NO.	PART NO.	DESCRIPTION	Q'TY	REF.NO.	PART NO.	DESCRIPTION	Q'TY	REF.NO.	PART NO.	DESCRIPTION	Q'TY
60	NSP	SPRING	4	80-81	NSP	SCREW	6	104	NSP	WASHER	4
61-62	NSP	SPRING	2	82-88	NSP	SCREW	2	105	NSP	WASHER	1
63-65	NSP	SPRING	1	89-90	NSP	SCREW	1	106-107	NSP	WASHER	2
66-70	NSP	SPRING	2	100-101	NSP	WASHER	1	109-110	NSP	WASHER	1
71	NSP	SPRING	1	102-103	NSP	WASHER	2				

• TAPE DECK MECHANISM (2)



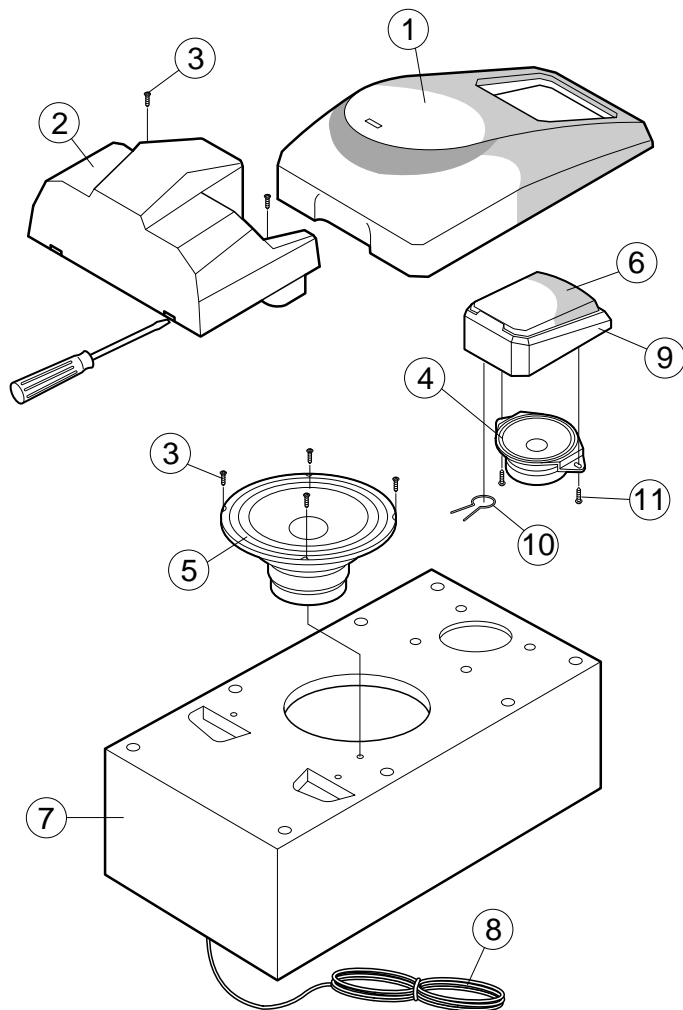
# EXPLODED VIEW/PARTS LIST

## • CABINET

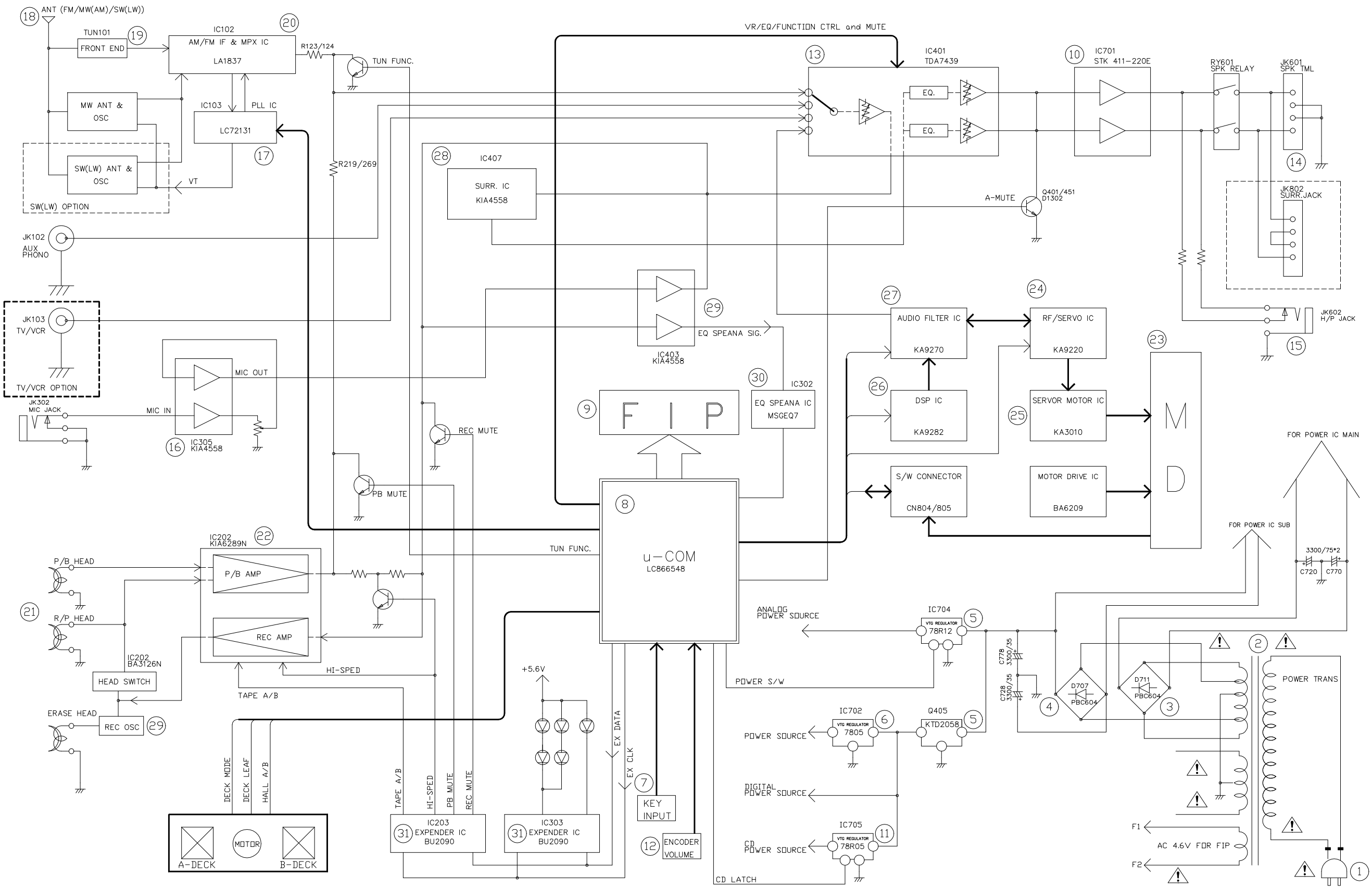


S	LOCA.NO.	PART NO.(GS)	DESCRIPTION	SPECIFICATION	VC
	A01	681N039B	CORD POWER	ACUST/S-0-0053 HITACHI SH	HZ
	A02	324-620A	HOLDER	CORD HEYCD SR-5N-4 HPD	
	A03	3720SCM035A	PANEL, FRONT	FRONT	HZ
	A04	3846S-0193A	MARK	BADGE LG(RED+SILVER)	
	A05	3790SCM055*	WINDOW	CD AL BAD	HZ
	A06	3790SCM054*	WINDOW	AMP	HZ
	A07	3790SCM023*	WINDOW	CST L PLAYBACK	HZ
	A08	3790SCM023*	WINDOW	CST R SYNCHRO DU	HZ
	A09	3550SCM014*	COVER	FRONT	HZ
	A10	3580SCC877*	DOOR	CD SOUNDMASTER	HZ
	A11	3580SCA344*	DOOR	CST-L	HZ
	A12	3580SCA345*	DOOR	CST-R	HZ
	A13	4940SCM058A	KNOB	MAIN	HZ
	A14	4940SCM059A	KNOB	DISC	HZ
	A15	4940SCM060A	KNOB	POWER	HZ
	A16	4940SCM061A	KNOB	JOG VOL	HZ
	A17	4940S-1401G	KNOB	LIGHTING MILKY	HZ
	A18	4940S-6770A	KNOB	ROTARY MIC VR	
	A19	4940SC0044A	KNOB	VOLUME	HZ
	A20	3680SCM001A	LENS	CD	HZ
	A21	3680SCM007A	LENS	FUNCTION	HZ
	A22	3680SCM008A	LENS	PLAY	HZ
	A23	3680SCM009A	LENS	JOG	HZ
	A24	4901SK0001C	DAMPER ASSY	GEAR DAMPER AY(WH+WH G331)	HZ
	A25	442-085D	SPRING	SPRING	
	A26	442-577B	SPRING	SPRING CST-PACK(H=7.5)	
	A27	384-535A	GUIDE	EJECT AY DUAL	
	A28	3720SCM040A	PANEL	BACK 3000	HZ
	A29	3090SCC004B	CABINET	SIDE	HZ
	A30	3090SCC003C	CABINET	CABINET TOP	HZ
	A31	246-444K	DECORATION	PLATE FFHKL588V SILVER	HZ
	A32	3140SCC059B	CHASSIS	MAIN CHASSIS	HZ
	A33	265-024A	FOOT	ABS(BK)19.7 H=7 F-1000/59	HZ
	A34	562-050Q	LUG	LUG WIRE BEND L=80	
	A35	353-070C	SCREW	TAPTITE WASHER 4X12 FBK	HZ
	A36	353-022M	SCREW	TAPTITE 3X6 FZMY PAN S-TY	HZ
	A37	1TRL0402418	BRAIZER HEAD TA	D 4.0 L 8.0 MSWR3/FZY	HZ
	A38	1TRL0302018	BRAIZER HEAD TA	D 3.0 L 6.0 MSWR3/FZY	HZ
	A39	353-025C	SCREW	TAPTITE 3X10 FBK	HZ
	A40	4405SCE002A	MECHANISM ASSY	CDM-H1303 SHIN HEUNG CD C	HZ
	A41	6730S-G004B	DECK MECHANISM	CWL44FR-02 PIGEON L-DOUBL	HZ
	A42	552-625K	SWITCH SLIDE	CL04-SS(NR541)	HZ

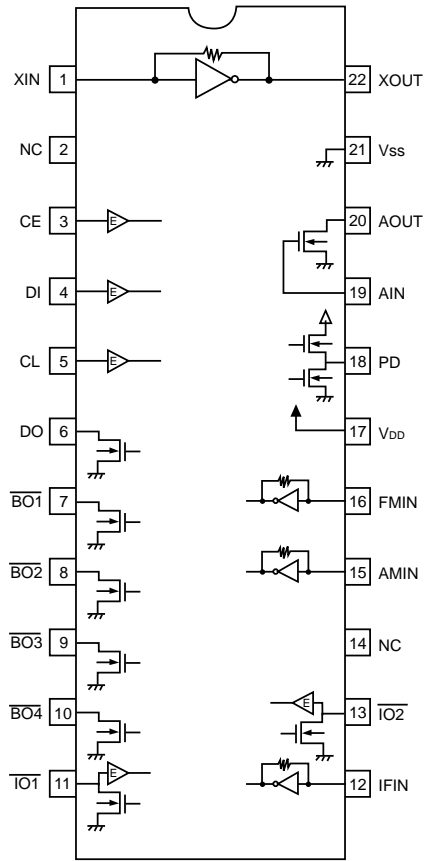
# • EXPLODED VIEW/PARTS LIST



NO	DESCRIPTION	PART NO.	Q <sup>TY</sup>
1	NET ASS'Y	3701SM0015A	1
2	PANEL FRONT	3720SMM028A	1
3	SCREW (3.5X16)	353M050C	6
4	TWEETER	6400SCEB02C	1
5	WOOFER	6400SCEJ02B	1
6	GRILLE METAL	3530SMM016A	1
7	CABINET ASS'Y	3091SMW021A	1
8	CORD ASS'Y	564M033L	1
9	HOLDER METAL	4930SM0012A	1
10	PIEZO	6400SCEY03B	1
11	SCREW(3°ø8)	353M025F	2

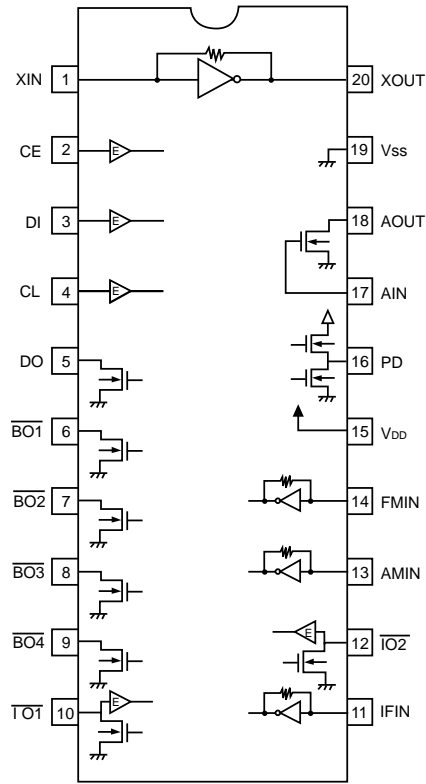


• LC72131



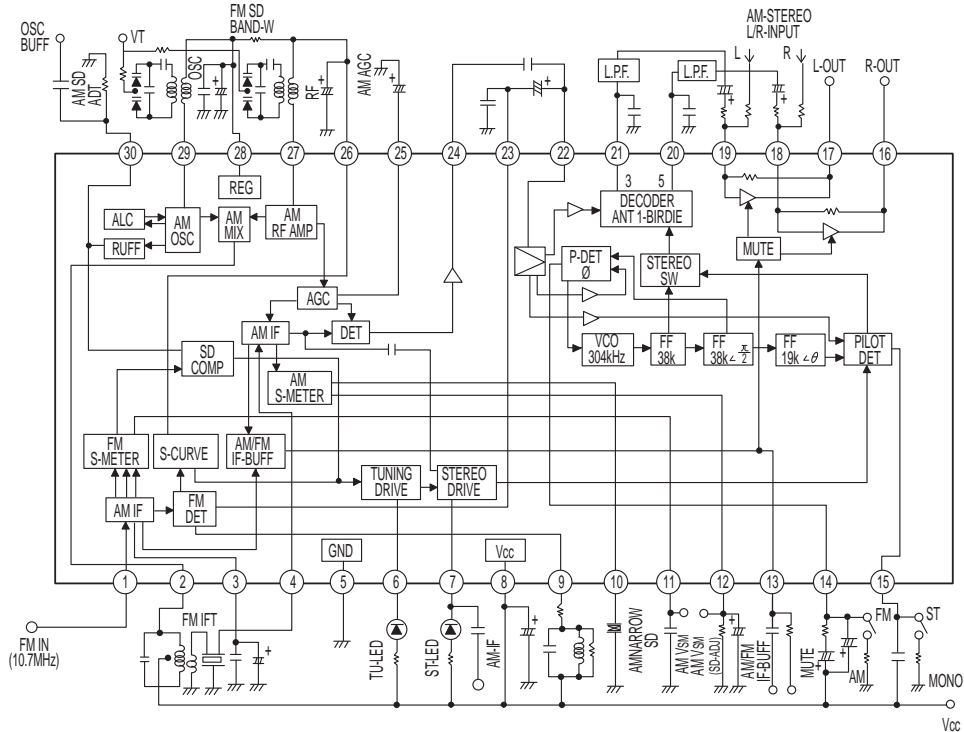
Top view

• LC72131M



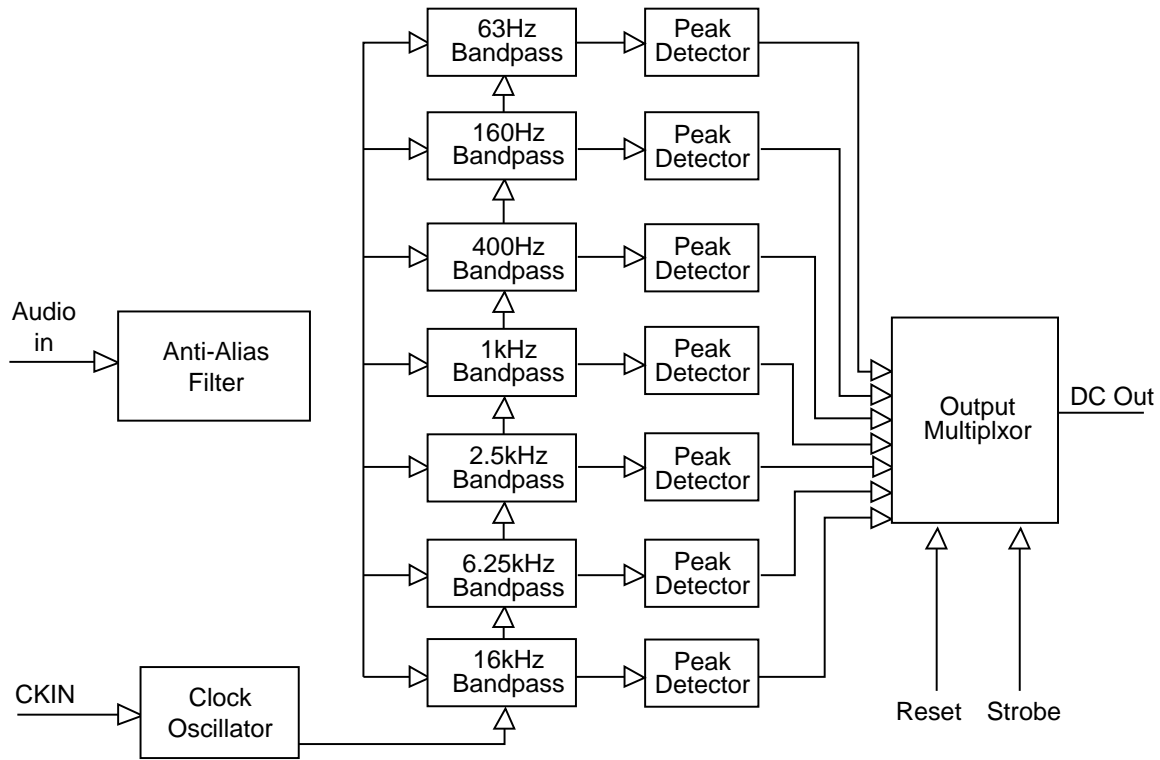
Top view

• LA1837

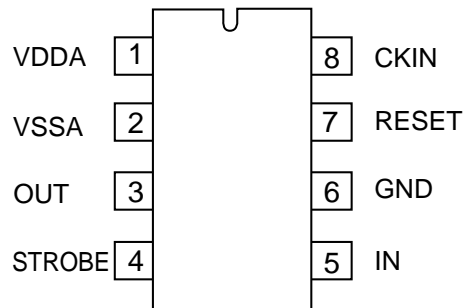




## • MSGEQ7



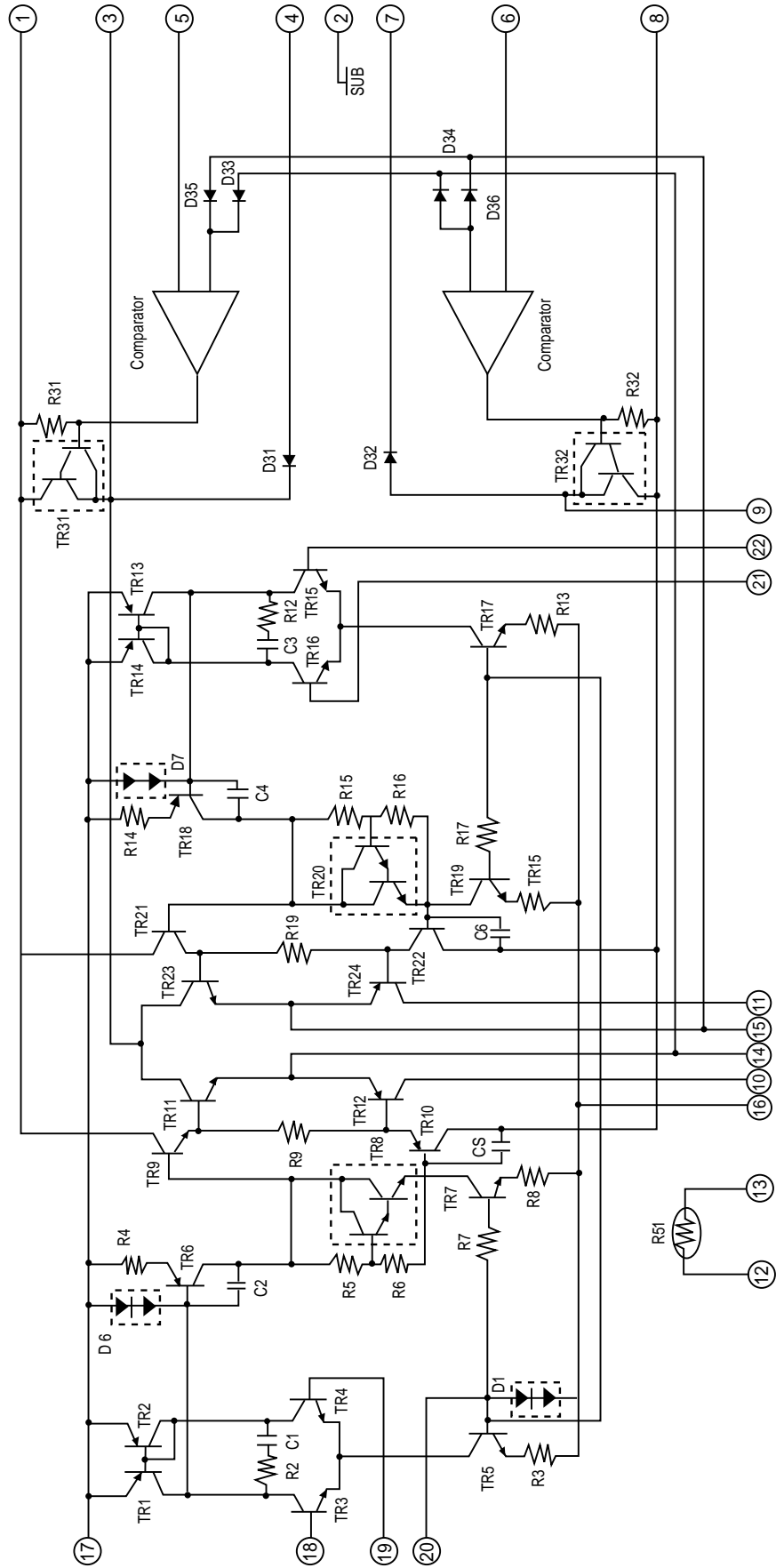
### PIN CONFIGURATION

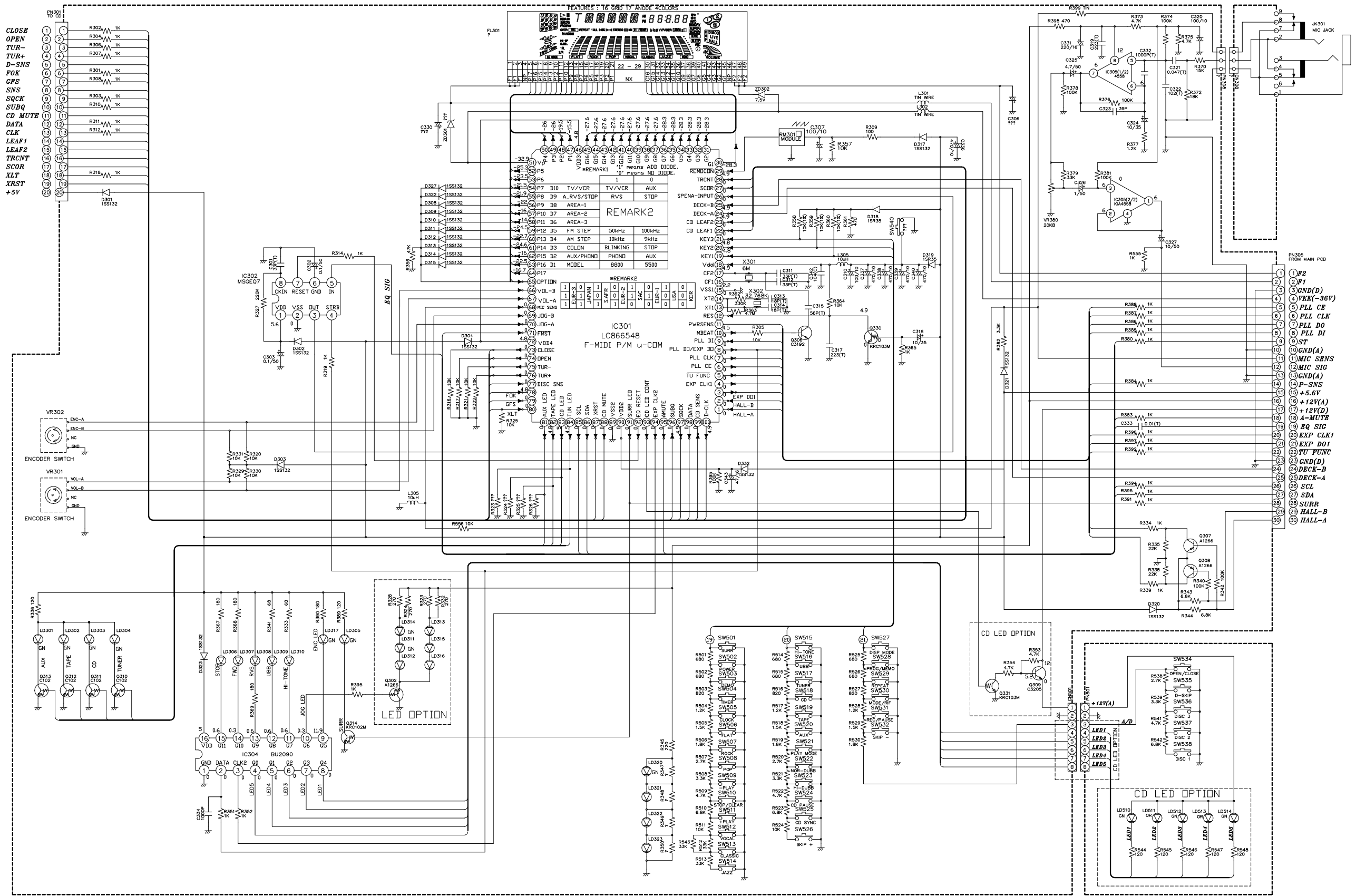


### PIN DESCRIPTION

Pin No.	Symbol	Description
1	VDD	Positive Power Supply Typically 5 Volts
2	VSS	Negative Power Supply Typically 0 Volts
3	OUT	Multiplexed DC Output
4	STROBE	Channel Selection Pin
5	IN	Audio Input
6	GND	Internally Generated Ground Reference. Typically 2.5V
7	RESET	Resets Multiplexor
8	CKIN	Clock Oscillator Pin

• STK411-220E





- 1 CLOSE
- 2 OPEN
- 3 TUR-
- 4 TUR+
- 5 D-SNS
- 6 FOK
- 7 SNS
- 8 SQCK
- 9 SUBQ
- 10 CD MUTE
- 11 DATA
- 12 CLK
- 13 LEAF1
- 14 LEAF2
- 15 TRCNT
- 16 SCOR
- 17 XLT
- 18 XRST
- 19 +5V

- 1 P2
- 2 P1
- 3 GND(D)
- 4 VKK(-36V)
- 5 PLL CE
- 6 PLL CLK
- 7 PLL DO
- 8 PLL DI
- 9 ST
- 10 GND(A)
- 11 MIC SENS
- 12 MIC SIG
- 13 GND(A)
- 14 P-SNS
- 15 +5.6V
- 16 +12V(A)
- 17 +12V(D)
- 18 A-MUTE
- 19 EQ SIG
- 20 EXP CLK1
- 21 EXP DO1
- 22 TU FUNC
- 23 GND(D)
- 24 DECK-B
- 25 DECK-A
- 26 SCL
- 27 SDA
- 28 SURR
- 29 HALL-B
- 30 HALL-A

FEATURES: 16 GRID 17 ANGLE 4 COLORS

REMARK1

1	0
2	0
3	0
4	0
5	0
6	0
7	0
8	0
9	0
10	0
11	0
12	0
13	0
14	0
15	0
16	0
17	0
18	0
19	0
20	0
21	0
22	0
23	0
24	0
25	0
26	0
27	0
28	0
29	0
30	0

REMARK2

1	0	0
2	0	0
3	0	0
4	0	0
5	0	0
6	0	0
7	0	0
8	0	0
9	0	0
10	0	0
11	0	0
12	0	0
13	0	0
14	0	0
15	0	0
16	0	0
17	0	0
18	0	0
19	0	0
20	0	0
21	0	0
22	0	0
23	0	0
24	0	0
25	0	0
26	0	0
27	0	0
28	0	0
29	0	0
30	0	0

IC301 LCB66548 F-MIDI P/M u-COM

REMARK1

REMARK2

REMARK3

REMARK4

REMARK5

REMARK6

REMARK7

REMARK8

REMARK9

REMARK10

REMARK11

REMARK12

REMARK13

REMARK14

REMARK15

REMARK16

REMARK17

REMARK18

REMARK19

REMARK20

REMARK21

REMARK22

REMARK23

REMARK24

REMARK25

REMARK26

REMARK27

REMARK28

REMARK29

REMARK30

REMARK31

REMARK32

REMARK33

REMARK34

REMARK35

REMARK36

REMARK37

REMARK38

REMARK39

REMARK40

REMARK41

REMARK42

REMARK43

REMARK44

REMARK45

REMARK46

REMARK47

REMARK48

REMARK49

REMARK50

REMARK51

REMARK52

REMARK53

REMARK54

REMARK55

REMARK56

REMARK57

REMARK58

REMARK59

REMARK60

REMARK61

REMARK62

REMARK63

REMARK64

REMARK65

REMARK66

REMARK67

REMARK68

REMARK69

REMARK70

REMARK71

REMARK72

REMARK73

REMARK74

REMARK75

REMARK76

REMARK77

REMARK78

REMARK79

REMARK80

REMARK81

REMARK82

REMARK83

REMARK84

REMARK85

REMARK86

REMARK87

REMARK88

REMARK89

REMARK90

REMARK91

REMARK92

REMARK93

REMARK94

REMARK95

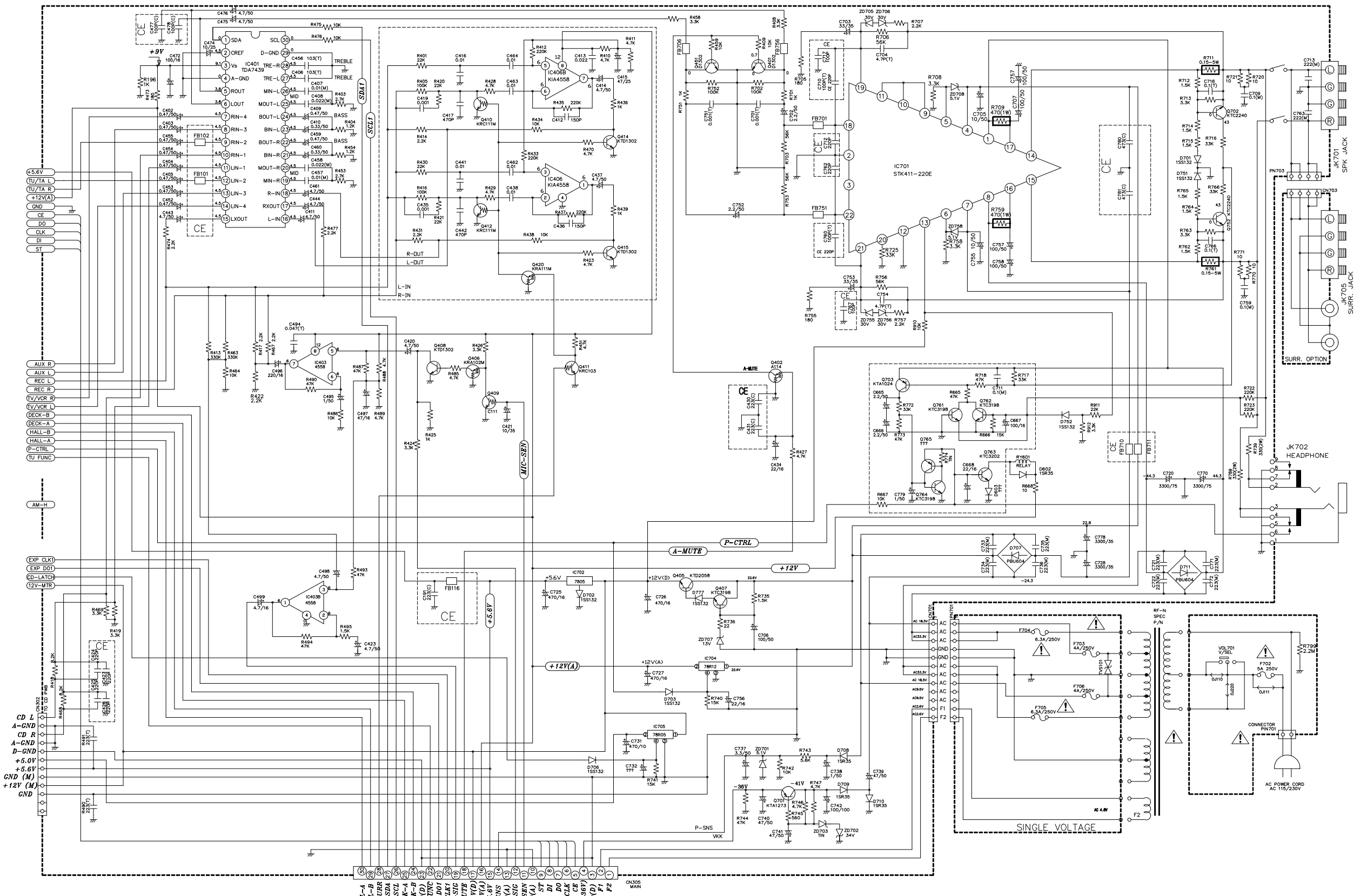
REMARK96

REMARK97

REMARK98

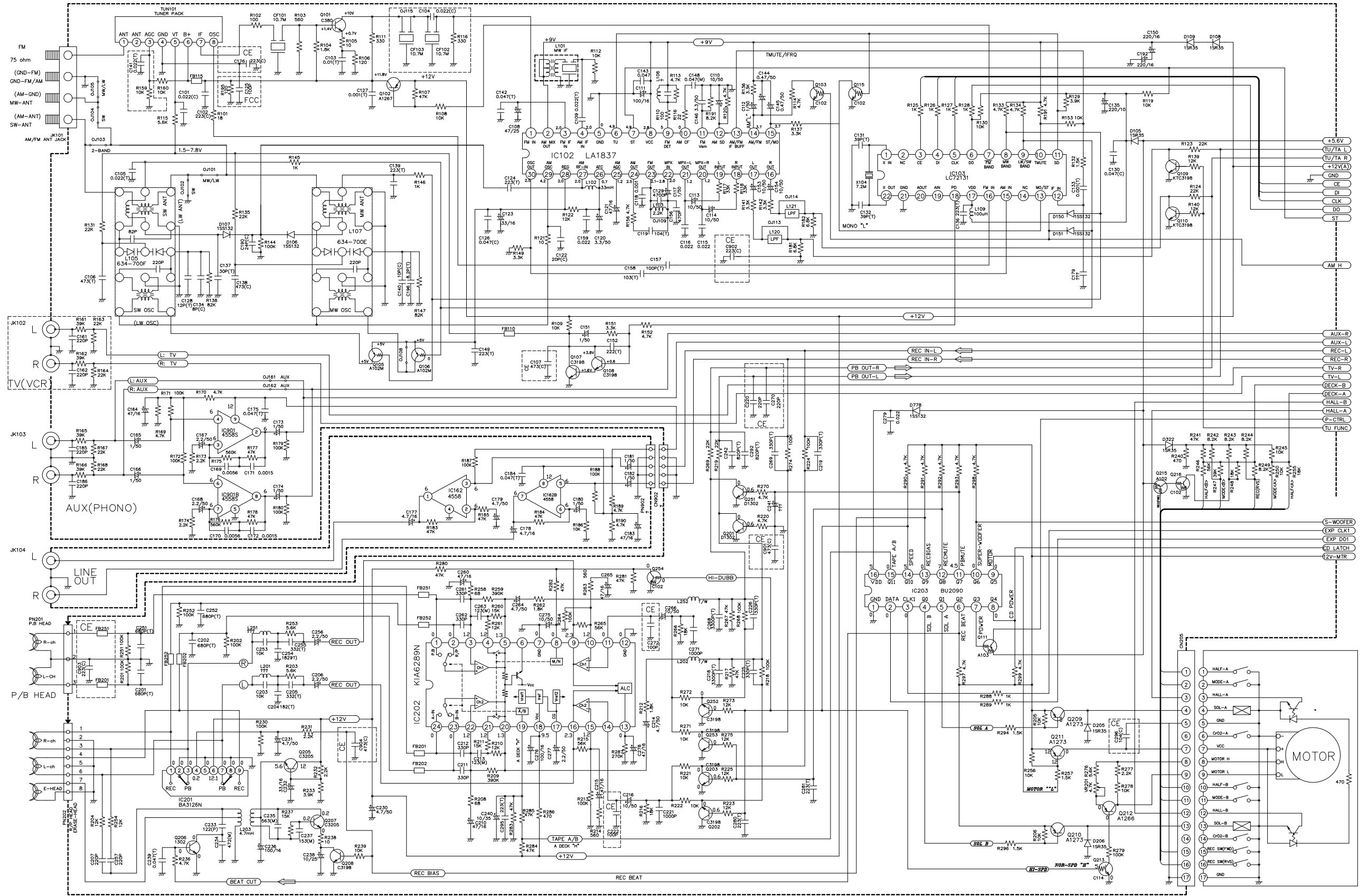
REMARK99

REMARK100



- HALI-A
- HALI-B
- SURR
- SCL
- DECK-A
- DECK-B
- GND(D)
- TU FUNC
- EXP CLK1
- EXP CLK2
- EXP CLK3
- EXP CLK4
- EXP CLK5
- EXP CLK6
- EXP CLK7
- EXP CLK8
- EXP CLK9
- EXP CLK10
- EXP CLK11
- EXP CLK12
- EXP CLK13
- EXP CLK14
- EXP CLK15
- EXP CLK16
- EXP CLK17
- EXP CLK18
- EXP CLK19
- EXP CLK20
- EXP CLK21
- EXP CLK22
- EXP CLK23
- EXP CLK24
- EXP CLK25
- EXP CLK26
- EXP CLK27
- EXP CLK28
- EXP CLK29
- EXP CLK30
- EXP CLK31
- EXP CLK32
- EXP CLK33
- EXP CLK34
- EXP CLK35
- EXP CLK36
- EXP CLK37
- EXP CLK38
- EXP CLK39
- EXP CLK40
- EXP CLK41
- EXP CLK42
- EXP CLK43
- EXP CLK44
- EXP CLK45
- EXP CLK46
- EXP CLK47
- EXP CLK48
- EXP CLK49
- EXP CLK50
- EXP CLK51
- EXP CLK52
- EXP CLK53
- EXP CLK54
- EXP CLK55
- EXP CLK56
- EXP CLK57
- EXP CLK58
- EXP CLK59
- EXP CLK60
- EXP CLK61
- EXP CLK62
- EXP CLK63
- EXP CLK64
- EXP CLK65
- EXP CLK66
- EXP CLK67
- EXP CLK68
- EXP CLK69
- EXP CLK70
- EXP CLK71
- EXP CLK72
- EXP CLK73
- EXP CLK74
- EXP CLK75
- EXP CLK76
- EXP CLK77
- EXP CLK78
- EXP CLK79
- EXP CLK80
- EXP CLK81
- EXP CLK82
- EXP CLK83
- EXP CLK84
- EXP CLK85
- EXP CLK86
- EXP CLK87
- EXP CLK88
- EXP CLK89
- EXP CLK90
- EXP CLK91
- EXP CLK92
- EXP CLK93
- EXP CLK94
- EXP CLK95
- EXP CLK96
- EXP CLK97
- EXP CLK98
- EXP CLK99
- EXP CLK100

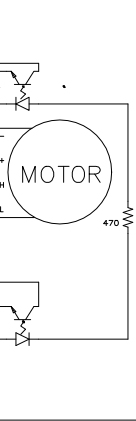
NS305 MAIN

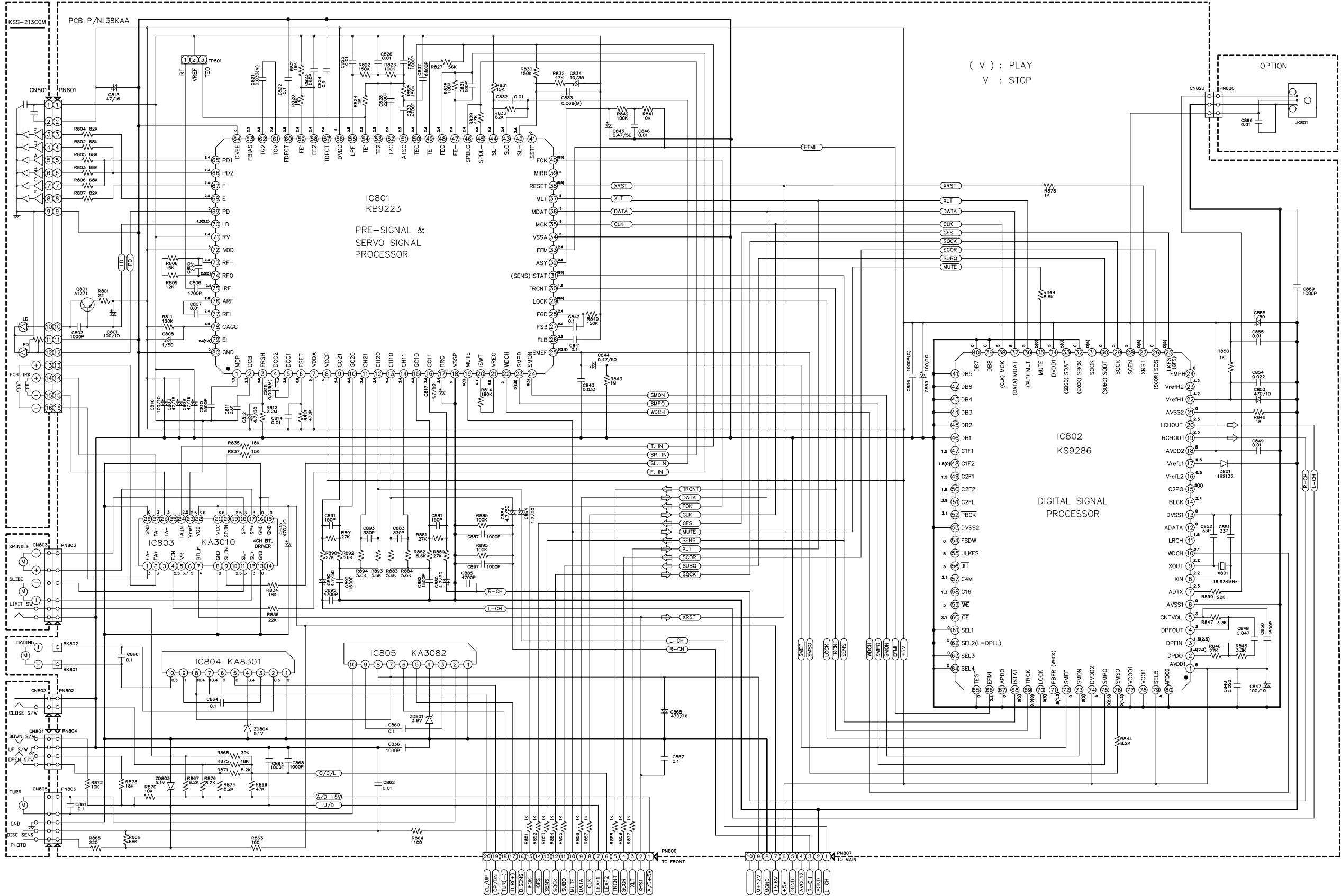


- +5.6V
- TU/TA L
- TU/TA R
- +12V(A)
- GND
- CE
- DI
- CLK
- DO
- ST

- AUX-R
- AUX-L
- REC-L
- REC-R
- TV-R
- TV-L
- DECK-B
- HALL-B
- HALL-A
- F-CTRL
- TU FUNC

- S-WOOFER
- EXP CLK1
- EXP DO1
- CD LATCH
- 12V-MTR





( V ) : PLAY  
V : STOP

OPTION

IC801  
KB9223  
PRE-SIGNAL &  
SERVO SIGNAL  
PROCESSOR

IC802  
KS9286  
DIGITAL SIGNAL  
PROCESSOR

IC803  
KA3010  
4CH BIT  
DRIVER

IC804  
KA8301

IC805  
KA3082

- TO FRONT
- CL/TP
  - OP/IN
  - TURR
  - TURR
  - G.SENS
  - FOK
  - GFS
  - SENS
  - SENS
  - SENS
  - SUBQ
  - MUTE
  - CLK
  - LEAF1
  - LEAF2
  - TRCNT
  - SCORE
  - RESET
  - XLT
  - A/D

- TO MAIN
- M+1.2V
  - MEN
  - +5V
  - GN
  - M/C12
  - R-CH
  - L-CH
  - C-CH

R-CH

L-CH

	1	88H-0002	CD MECHA PARTS	3X9X12FZMY
	701	4860SB0002A	CLAMP	CLAMP ASSY
	702	4405SCB001A	MECHANISM ASSY	KSM-213CCM
	703	6756S-O001A	CD MECHANISM PARTS	KSM-213CDM MOTOR,GEAR
	704	6756S-T001A	CD MECHANISM PARTS	KSM-213CDM LEAD IN
	705	6756S-G001A	CD MECHANISM PARTS	KSM-213CDM FEED GEAR
	706	6756S-X001A	CD MECHANISM PARTS	SONY KSS-213C
	707	3040SB0003A	BASE	PU(CDM-H1303)
	708	4900SB0001A	DAMPER	DAMPER RUBBER
	709	88H-0002	CD MECHA PARTS	3X9X12FZMY
	709	88H-0002	CD MECHA PARTS	3X9X12FZMY
	710	6756SBX001A	CD MECHANISM PARTS	SCREW 2.6X10X10XFZMY CDM-H813
	711	4680SBP001A	MOTOR(MECH)	PULLEY ASSY (CDM-H1303)
	711	4680SBP001A	MOTOR(MECH)	PULLEY ASSY (CDM-H1303)
	712	3040SB0002A	BASE	MAIN(CDM-H1303)
	713	4974SB0001A	GUIDE	CAM (CDM-H1303)
	714	4970SBN002A	SPRING	CAM (CDM-H1303)
	715	4400SB0001A	BELT	MAIN(CDM-H1303)
	716	4471SB0001A	GEAR ASSY	GEAR CAM ASSY
	717	4470SB0005A	GEAR	MAIN (CDM-H1303)
	717	4470SB0005A	GEAR	MAIN (CDM-H1303)
	718	4470SB0003A	GEAR	PULLEY (CDM-H1303)
	719	4470SB0004A	GEAR	LOADING (CDM-H1303)
	720	4470SB0007A	GEAR	PU UP-A (CDM-H1303)
	721	4470SB0008A	GEAR	PU UP-B (CDM-H1303)
	722	4470SB0006A	GEAR	PU DOWN (CDM-H1303)
	723	88H-0003	CD MECHA PARTS	3X12X10FZMY
	724	6871SD21RAD	PWB(PCB) ASSY	3CH M/D CAM PWB ASSY
	725	6871SB21RAD	PWB(PCB) ASSY	3CH M/D U/D/O/C PWB ASSY
	726	6871SC21RAD	PWB(PCB) ASSY	3CH M/D OPEN PWB ASSY
	727	4371SB0002A	SHAFT ASSY	TRAY (CDM-H1303)
	728	3390SB0001A	TRAY	LOADING (CDM-H1303)
	729	3390SB0002A	TRAY	DISC (CDM-H1303)
	730	4974SB0003A	GUIDE	WORM (CDM-H1303)
	731	4400SB0001B	BELT	TRAY(CDM-H1303)
	732	4470SB0010A	GEAR	TRAY A (CDM-H1303)
	733	4470SB0011A	GEAR	TRAY B (CDM-H1303)
	734	88H-0004	CD MECHA PARTS	3X12X12FNM
	735	6871SF21RAD	PWB(PCB) ASSY	3CH M/D SENSOR PWB ASSY
	736	4680SBP002A	MOTOR(MECH)	ASSY TRAY
			BRAIZER HEAD TA SCREW + 2	
A		1TRL0302018	CUT	D 3.0 L 6.0 MSWR3/FZY
A		353-025C	SCREW	SPECIAL 3X10 FBK
A		353-025C	SCREW	SPECIAL 3X10 FBK
			BRAIZER HEAD TA SCREW + 2	
B		1TRL0302018	CUT	D 3.0 L 6.0 MSWR3/FZY
B		353-025C	SCREW	SPECIAL 3X10 FBK
B		353-025C	SCREW	SPECIAL 3X10 FBK
BK801		4810S-7829A	BRACKET	CD MOTOR(0.3T)NEW-MD
BK802		4810S-7829A	BRACKET	CD MOTOR(0.3T)NEW-MD
C		1TRL0302018	BRAIZER HEAD TA SCREW + 2	D 3.0 L 6.0 MSWR3/FZY

		CUT	
C	353-025C	SCREW	SPECIAL 3X10 FBK
C101	0CN2230H949	CAPACITOR TUBULA(HIGH DIELE)	22000P 25V Z FTA52
C102	0CK2230K945	CAPACITOR CERAMIC(HIGH DIELE)	0.022M 50V Z F TS
C103	0CN1030F679	CAPACITOR TUBULA(HIGH DIELE)	0.01MF 16V M Y TA52
C107	0CK4730K945	CAPACITOR CERAMIC(HIGH DIELE)	0.047U 50V Z F TS
C108	0CE4766F618	CAPACITOR,ELECTROLYTIC	47M SMS 16V M FL TP(5)
C110	0CE1066K618	CAPACITOR,ELECTROLYTIC	10M SMS 50V M FM5 TP(5)
C112	0CE1056K618	CAPACITOR,ELECTROLYTIC	1.0M SMS 50V M FL TP(5)
C113	0CE1066K618	CAPACITOR,ELECTROLYTIC	10M SMS 50V M FM5 TP(5)
C114	0CE1066K618	CAPACITOR,ELECTROLYTIC	10M SMS 50V M FM5 TP(5)
C117	0CE1056K618	CAPACITOR,ELECTROLYTIC	1.0M SMS 50V M FL TP(5)
C118	0CN3310K519	CAPACITOR TUBULA(HIGH DIELE)	330P 50V K B TA52
C119	0CN1040K949	CAPACITOR TUBULA(HIGH DIELE)	0.1M 50V Z F TA52
C120	0CE3356K618	CAPACITOR,ELECTROLYTIC	3.3M SMS 50V M FL TP(5)
C121	0CE4766F618	CAPACITOR,ELECTROLYTIC	47M SMS 16V M FL TP(5)
C122	0CX2000K419	CAPACITOR TUBULA(T.C)	20P 50V J C TA52
C123	0CE3366F618	CAPACITOR,ELECTROLYTIC	33M SMS 16V M FL TP(5)
C124	0CN2230H949	CAPACITOR TUBULA(HIGH DIELE)	22000P 25V Z FTA52
		CAPACITOR CERAMIC(HIGH DIELE)	
C126	0CK2230K945		0.022M 50V Z F TS
C127	0CN1020K519	CAPACITOR TUBULA(HIGH DIELE)	1000P 50V K B TA52
C129	0CN2220F669	CAPACITOR TUBULA(HIGH DIELE)	2200P 16V M X TA52
		CAPACITOR CERAMIC(HIGH DIELE)	
C130	0CK2230K945		0.022M 50V Z F TS
C131	0CX3900K409	CAPACITOR TUBULA(T.C)	39P 50V J SL TA52
C132	0CX3900K409	CAPACITOR TUBULA(T.C)	39P 50V J SL TA52
C133	0CN1020K519	CAPACITOR TUBULA(HIGH DIELE)	1000P 50V K B TA52
C135	0CE1076F618	CAPACITOR,ELECTROLYTIC	100M SMS 16V M FM5 TP(5)
C136	0CN2230H949	CAPACITOR TUBULA(HIGH DIELE)	22000P 25V Z FTA52
C137	0CX3000K409	CAPACITOR TUBULA(T.C)	30P 50V J SL TA52
		CAPACITOR CERAMIC(HIGH DIELE)	
C138	0CK4730K945		0.047U 50V Z F TS
C139	0CN2230H949	CAPACITOR TUBULA(HIGH DIELE)	22000P 25V Z FTA52
		CAPACITOR,CERAMIC(TEMP COMP)	
C140	0CC1000K015		10P 50V C NP0 TS
C142	0CN4730K949	CAPACITOR TUBULA(HIGH DIELE)	0.047M 50V Z F TA52
C143	0CE4766F618	CAPACITOR,ELECTROLYTIC	47M SMS 16V M FL TP(5)
C144	0CE4746K618	CAPACITOR,ELECTROLYTIC	0.47M SMS 50V M FL TP(5)
C145	0CE4746K618	CAPACITOR,ELECTROLYTIC	0.47M SMS 50V M FL TP(5)
C146	0CE3356K618	CAPACITOR,ELECTROLYTIC	3.3M SMS 50V M FL TP(5)
C148	0CQ4731N409	CAPACITOR POLYESTER(MYLAR)	0.047U 100V J POLY TP
C149	0CN2230H949	CAPACITOR TUBULA(HIGH DIELE)	22000P 25V Z FTA52
C150	0CE2276F618	CAPACITOR,ELECTROLYTIC	220M SMS 16V M FM5 TP(5)
C151	0CE1056K618	CAPACITOR,ELECTROLYTIC	1.0M SMS 50V M FL TP(5)
C152	0CN2220F669	CAPACITOR TUBULA(HIGH DIELE)	2200P 16V M X TA52
C153	0CE1066K618	CAPACITOR,ELECTROLYTIC	10M SMS 50V M FM5 TP(5)
C154	0CE1066K618	CAPACITOR,ELECTROLYTIC	10M SMS 50V M FM5 TP(5)
C156	0CN3310K519	CAPACITOR TUBULA(HIGH DIELE)	330P 50V K B TA52
C157	0CN1010K519	CAPACITOR TUBULA(HIGH DIELE)	100P 50V K B TA52



C158	0CN1030F679	CAPACITOR TUBULA(HIGH DIELE)	0.01MF 16V M Y TA52	
C159	0CN2230H949	CAPACITOR TUBULA(HIGH DIELE)	22000P 25V Z FTA52	
C176	0CK2230K945	CAPACITOR CERAMIC(HIGH DIELE)	0.022M 50V Z F TS	
C185	0CN2210K519	CAPACITOR TUBULA(HIGH DIELE)	220P 50V K B TA52	
C186	0CN2210K519	CAPACITOR TUBULA(HIGH DIELE)	220P 50V K B TA52	
C187	0CN2220F669	CAPACITOR TUBULA(HIGH DIELE)	2200P 16V M X TA52	
C188	0CN2220F669	CAPACITOR TUBULA(HIGH DIELE)	2200P 16V M X TA52	
C191	0CK2230K945	CAPACITOR CERAMIC(HIGH DIELE)	0.022M 50V Z F TS	
C196	0CX8R20K519	CAPACITOR TUBULA(T.C)	8.2P 50V K C TA52	
C201	0CN6810K519	CAPACITOR TUBULA(HIGH DIELE)	680P 50V K B TA52	
C202	0CN6810K519	CAPACITOR TUBULA(HIGH DIELE)	680P 50V K B TA52	
C203	0RD1002F609	RESISTOR,FIXED CARBON FILM	10K 1/6W 5 TA52	
C204	0CN1820F669	CAPACITOR TUBULA(HIGH DIELE)	1800P 16V M X TA52	
C205	0CN3320F669	CAPACITOR,TUBULAR(HIGH DIELEC)	3300PF 16V M X TA52	
C206	0CE2256K618	CAPACITOR,ELECTROLYTIC	2.2M SMS 50V M FL	TP(5)
C207	0CN2210K519	CAPACITOR TUBULA(HIGH DIELE)	220P 50V K B TA52	
C208	0CN1010K519	CAPACITOR TUBULA(HIGH DIELE)	100P 50V K B TA52	
C210	0CE4766F618	CAPACITOR,ELECTROLYTIC	47M SMS 16V M FL	TP(5)
C211	0CN3310K519	CAPACITOR TUBULA(HIGH DIELE)	330P 50V K B TA52	
C212	0CN3310K519	CAPACITOR TUBULA(HIGH DIELE)	330P 50V K B TA52	
C213	0CQ1031N409	CAPACITOR POLYESTER(MYLAR)	0.01U 100V J POLY	TP
C214	0CE4756K618	CAPACITOR,ELECTROLYTIC	4.7M SMS 50V M FL	TP(5)
C215	0CE4766F618	CAPACITOR,ELECTROLYTIC	47M SMS 16V M FL	TP(5)
C216	0CE1066J618	CAPACITOR,ELECTROLYTIC	10M SMS 35V M FL	TP(5)
C218	0CN3320F669	CAPACITOR,TUBULAR(HIGH DIELEC)	3300PF 16V M X TA52	
C219	0CN2210K519	CAPACITOR TUBULA(HIGH DIELE)	220P 50V K B TA52	
C220	0CN2210K519	CAPACITOR TUBULA(HIGH DIELE)	220P 50V K B TA52	
C221	0CN1020K519	CAPACITOR TUBULA(HIGH DIELE)	1000P 50V K B TA52	
C225	0CN2210K519	CAPACITOR TUBULA(HIGH DIELE)	220P 50V K B TA52	
C226	0CN2210K519	CAPACITOR TUBULA(HIGH DIELE)	220P 50V K B TA52	
C230	0CE4756K618	CAPACITOR,ELECTROLYTIC	4.7M SMS 50V M FL	TP(5)
C231	0CE4756K618	CAPACITOR,ELECTROLYTIC	4.7M SMS 50V M FL	TP(5)
C232	0CE3366F618	CAPACITOR,ELECTROLYTIC	33M SMS 16V M FL	TP(5)
C233	0CQ1221R449	CAPACITOR POLYESTER(MYLAR)	1200P 250V J PYLN	TP
C234	0CQ4721N409	CAPACITOR POLYESTER(MYLAR)	0.0047U 100V J POLY	TP
C235	0CQ5631N409	CAPACITOR POLYESTER(MYLAR)	0.056U 100V J POLY	TP
C236	0CE1076F618	CAPACITOR,ELECTROLYTIC	100M SMS 16V M FM5	TP(5)
C237	0CQ1531N409	CAPACITOR POLYESTER(MYLAR)	0.015U 100V J POLY	TP
C238	0CE1066J618	CAPACITOR,ELECTROLYTIC	10M SMS 35V M FL	TP(5)
C239	0CN2230H949	CAPACITOR TUBULA(HIGH DIELE)	22000P 25V Z FTA52	
C240	0CE1066J618	CAPACITOR,ELECTROLYTIC	10M SMS 35V M FL	TP(5)
C242	0CN8210K519	CAPACITOR TUBULA(HIGH DIELE)	820P 50V K B TA52	
C251	0CN6810K519	CAPACITOR TUBULA(HIGH DIELE)	680P 50V K B TA52	
C252	0CN6810K519	CAPACITOR TUBULA(HIGH DIELE)	680P 50V K B TA52	
C253	0RD1002F609	RESISTOR,FIXED CARBON FILM	10K 1/6W 5 TA52	
C254	0CN1820F669	CAPACITOR TUBULA(HIGH DIELE)	1800P 16V M X TA52	
C255	0CN3320F669	CAPACITOR,TUBULAR(HIGH DIELEC)	3300PF 16V M X TA52	

		DIELEC)		
C256	0CE2256K618	CAPACITOR,ELECTROLYTIC	2.2M SMS 50V M FL	TP(5)
C257	0CN2210K519	CAPACITOR TUBULA(HIGH DIELE)	220P 50V K B TA52	
C258	0CN1010K519	CAPACITOR TUBULA(HIGH DIELE)	100P 50V K B TA52	
C260	0CE4766F618	CAPACITOR,ELECTROLYTIC	47M SMS 16V M FL	TP(5)
C261	0CN3310K519	CAPACITOR TUBULA(HIGH DIELE)	330P 50V K B TA52	
C262	0CN3310K519	CAPACITOR TUBULA(HIGH DIELE)	330P 50V K B TA52	
C263	0CQ1031N409	CAPACITOR POLYESTER(MYLAR)	0.01U 100V J POLY	TP
C264	0CE4756K618	CAPACITOR,ELECTROLYTIC	4.7M SMS 50V M FL	TP(5)
C265	0CE4766F618	CAPACITOR,ELECTROLYTIC	47M SMS 16V M FL	TP(5)
C266	0CE1066K618	CAPACITOR,ELECTROLYTIC CAPACITOR,TUBULAR(HIGH DIELEC)	10M SMS 50V M FM5	TP(5)
C268	0CN3320F669		3300PF 16V M X TA52	
C269	0CN2210K519	CAPACITOR TUBULA(HIGH DIELE)	220P 50V K B TA52	
C270	0CN2210K519	CAPACITOR TUBULA(HIGH DIELE)	220P 50V K B TA52	
C271	0CN1020K519	CAPACITOR TUBULA(HIGH DIELE)	1000P 50V K B TA52	
C275	0CE1066K618	CAPACITOR,ELECTROLYTIC	10M SMS 50V M FM5	TP(5)
C276	0CE1076F618	CAPACITOR,ELECTROLYTIC	100M SMS 16V M FM5	TP(5)
C277	0CE2256K618	CAPACITOR,ELECTROLYTIC	2.2M SMS 50V M FL	TP(5)
C278	0CE4766F618	CAPACITOR,ELECTROLYTIC	47M SMS 16V M FL	TP(5)
C279	0CN2230H949	CAPACITOR TUBULA(HIGH DIELE)	22000P 25V Z FTA52	
C280	0CN2230H949	CAPACITOR TUBULA(HIGH DIELE)	22000P 25V Z FTA52	
C281	0CN2230H949	CAPACITOR TUBULA(HIGH DIELE)	22000P 25V Z FTA52	
C292	0CN8210K519	CAPACITOR TUBULA(HIGH DIELE)	820P 50V K B TA52	
C293	0CN2230H949	CAPACITOR TUBULA(HIGH DIELE)	22000P 25V Z FTA52	
C295	0CN2230H949	CAPACITOR TUBULA(HIGH DIELE)	22000P 25V Z FTA52	
C301	0CX3300K409	CAPACITOR TUBULA(T.C)	33P 50V J SL TA52	
C302	0CE1046K618	CAPACITOR,ELECTROLYTIC	0.1M SMS 50V M FL	TP(5)
C307	0CE1076D618	CAPACITOR,ELECTROLYTIC	100M SMS 10V M FM5	TP(5)
C310	0CE1076D618	CAPACITOR,ELECTROLYTIC	100M SMS 10V M FM5	TP(5)
C311	0CX3300K409	CAPACITOR TUBULA(T.C)	33P 50V J SL TA52	
C312	0CX3300K409	CAPACITOR TUBULA(T.C)	33P 50V J SL TA52	
C313	0CX1800K409	CAPACITOR TUBULA(T.C)	18P 50V J SL TA52	
C314	0CX1800K409	CAPACITOR TUBULA(T.C)	18P 50V J SL TA52	
C315	0CX5600K409	CAPACITOR TUBULA(T.C)	56P 50V J SL TA52	
C317	0CN2230H949	CAPACITOR TUBULA(HIGH DIELE)	22000P 25V Z FTA52	
C318	0CE4766F618	CAPACITOR,ELECTROLYTIC	47M SMS 16V M FL	TP(5)
C319	0CN2230H949	CAPACITOR TUBULA(HIGH DIELE)	22000P 25V Z FTA52	
C320	0CE1076D618	CAPACITOR,ELECTROLYTIC	100M SMS 10V M FM5	TP(5)
C321	0CN4730K949	CAPACITOR TUBULA(HIGH DIELE)	0.047M 50V Z F TA52	
C322	0CN1020K519	CAPACITOR TUBULA(HIGH DIELE)	1000P 50V K B TA52	
C323	0CX3900K409	CAPACITOR TUBULA(T.C)	39P 50V J SL TA52	
C324	0CE1066J618	CAPACITOR,ELECTROLYTIC	10M SMS 35V M FL	TP(5)
C325	0CE4756K618	CAPACITOR,ELECTROLYTIC	4.7M SMS 50V M FL	TP(5)
C326	0CE1056K618	CAPACITOR,ELECTROLYTIC	1.0M SMS 50V M FL	TP(5)
C327	0CE1066K618	CAPACITOR,ELECTROLYTIC	10M SMS 50V M FM5	TP(5)
C331	0CE2276F618	CAPACITOR,ELECTROLYTIC	220M SMS 16V M FM5	TP(5)
C332	0CN1020K519	CAPACITOR TUBULA(HIGH DIELE)	1000P 50V K B TA52	
C333	0CN1030F679	CAPACITOR TUBULA(HIGH DIELE)	0.01MF 16V M Y TA52	
C336	0CE4776D618	CAPACITOR,ELECTROLYTIC	470M SMS 10V M FL	TP(5)
C337	0CE4776D618	CAPACITOR,ELECTROLYTIC	470M SMS 10V M FL	TP(5)

C338	0CE4776D618	CAPACITOR,ELECTROLYTIC	470M SMS 10V M FL	TP(5)
C339	0CE4776D618	CAPACITOR,ELECTROLYTIC	470M SMS 10V M FL	TP(5)
C342	0CK1040K945	CAPACITOR,CERAMIC(HIGH DIELE)	0.1M 50V Z F TS	
C343	0CE4766F618	CAPACITOR,ELECTROLYTIC	47M SMS 16V M FL	TP(5)
C344	0CN2230H949	CAPACITOR TUBULA(HIGH DIELE)	22000P 25V Z FTA52	
C402	0CE4746K618	CAPACITOR,ELECTROLYTIC	0.47M SMS 50V M FL	TP(5)
C403	0CE4746K618	CAPACITOR,ELECTROLYTIC	0.47M SMS 50V M FL	TP(5)
C404	0CE4746K618	CAPACITOR,ELECTROLYTIC	0.47M SMS 50V M FL	TP(5)
C405	0CE4746K618	CAPACITOR,ELECTROLYTIC	0.47M SMS 50V M FL	TP(5)
C406	0CN1030F679	CAPACITOR TUBULA(HIGH DIELE)	0.01MF 16V M Y TA52	
C407	0CQ1031N409	CAPACITOR POLYESTER(MYLAR)	0.01U 100V J POLY	TP
C408	0CQ2231N409	CAPACITOR POLYESTER(MYLAR)	0.022U 100V J POLY	TP
C409	0CE4746K618	CAPACITOR,ELECTROLYTIC	0.47M SMS 50V M FL	TP(5)
C410	0CE3346K618	CAPACITOR,ELECTROLYTIC	0.33M SMS 50V M FL	TP(5)
C411	0CE4756K618	CAPACITOR,ELECTROLYTIC	4.7M SMS 50V M FL	TP(5)
C412	0CN1510K519	CAPACITOR TUBULA(HIGH DIELE)	150P 50V K B TA52	
C413	0CN2230H949	CAPACITOR TUBULA(HIGH DIELE)	22000P 25V Z FTA52	
C414	0CE4756K618	CAPACITOR,ELECTROLYTIC	4.7M SMS 50V M FL	TP(5)
C415	0CE4766F618	CAPACITOR,ELECTROLYTIC	47M SMS 16V M FL	TP(5)
C416	0CN1030F679	CAPACITOR TUBULA(HIGH DIELE)	0.01MF 16V M Y TA52	
C417	0CN4710K519	CAPACITOR TUBULA(HIGH DIELE)	470P 50V K B TA52	
C419	0CN1020K519	CAPACITOR TUBULA(HIGH DIELE)	1000P 50V K B TA52	
C420	0CE4756K618	CAPACITOR,ELECTROLYTIC	4.7M SMS 50V M FL	TP(5)
C421	0CE1066J618	CAPACITOR,ELECTROLYTIC	10M SMS 35V M FL	TP(5)
C423	0CE4756K618	CAPACITOR,ELECTROLYTIC	4.7M SMS 50V M FL	TP(5)
C424	0CN2210K519	CAPACITOR TUBULA(HIGH DIELE)	220P 50V K B TA52	
C425	0CN2210K519	CAPACITOR TUBULA(HIGH DIELE)	220P 50V K B TA52	
C427	0CN2210K519	CAPACITOR TUBULA(HIGH DIELE)	220P 50V K B TA52	
C434	0CE2266F618	CAPACITOR,ELECTROLYTIC	22M SMS 16V M FM5	TP(5)
C435	0CN1020K519	CAPACITOR TUBULA(HIGH DIELE)	1000P 50V K B TA52	
C436	0CN1510K519	CAPACITOR TUBULA(HIGH DIELE)	150P 50V K B TA52	
C437	0CE4756K618	CAPACITOR,ELECTROLYTIC	4.7M SMS 50V M FL	TP(5)
C438	0CN1030F679	CAPACITOR TUBULA(HIGH DIELE)	0.01MF 16V M Y TA52	
C441	0CN1030F679	CAPACITOR TUBULA(HIGH DIELE)	0.01MF 16V M Y TA52	
C442	0CN4710K519	CAPACITOR TUBULA(HIGH DIELE)	470P 50V K B TA52	
C443	0CE4756K618	CAPACITOR,ELECTROLYTIC	4.7M SMS 50V M FL	TP(5)
C444	0CE4756K618	CAPACITOR,ELECTROLYTIC	4.7M SMS 50V M FL	TP(5)
C452	0CE4746K618	CAPACITOR,ELECTROLYTIC	0.47M SMS 50V M FL	TP(5)
C453	0CE4746K618	CAPACITOR,ELECTROLYTIC	0.47M SMS 50V M FL	TP(5)
C454	0CE4746K618	CAPACITOR,ELECTROLYTIC	0.47M SMS 50V M FL	TP(5)
C455	0CE4746K618	CAPACITOR,ELECTROLYTIC	0.47M SMS 50V M FL	TP(5)
C456	0CN1030F679	CAPACITOR TUBULA(HIGH DIELE)	0.01MF 16V M Y TA52	
C457	0CQ1031N409	CAPACITOR POLYESTER(MYLAR)	0.01U 100V J POLY	TP
C458	0CQ2231N409	CAPACITOR POLYESTER(MYLAR)	0.022U 100V J POLY	TP
C459	0CE4746K618	CAPACITOR,ELECTROLYTIC	0.47M SMS 50V M FL	TP(5)
C460	0CE3346K618	CAPACITOR,ELECTROLYTIC	0.33M SMS 50V M FL	TP(5)
C461	0CE4756K618	CAPACITOR,ELECTROLYTIC	4.7M SMS 50V M FL	TP(5)
C462	0CN1030F679	CAPACITOR TUBULA(HIGH DIELE)	0.01MF 16V M Y TA52	
C463	0CN1030F679	CAPACITOR TUBULA(HIGH DIELE)	0.01MF 16V M Y TA52	
C464	0CN1030F679	CAPACITOR TUBULA(HIGH DIELE)	0.01MF 16V M Y TA52	

C472	0CE1076F618	CAPACITOR,ELECTROLYTIC	100M SMS 16V M FM5 TP(5)
C474	0CE1066J618	CAPACITOR,ELECTROLYTIC	10M SMS 35V M FL TP(5)
C475	0CE4756K618	CAPACITOR,ELECTROLYTIC	4.7M SMS 50V M FL TP(5)
C476	0CE4756K618	CAPACITOR,ELECTROLYTIC	4.7M SMS 50V M FL TP(5)
C477	0CC1010K415	CAPACITOR,CERAMIC(TEMP COMP)	100P 50V J NP0 TS
C478	0CC1010K415	CAPACITOR,CERAMIC(TEMP COMP)	100P 50V J NP0 TS
C490	0CN2230H949	CAPACITOR TUBULA(HIGH DIELE)	22000P 25V Z FTA52
C491	0CN2230H949	CAPACITOR TUBULA(HIGH DIELE)	22000P 25V Z FTA52
C494	0CN4730K949	CAPACITOR TUBULA(HIGH DIELE)	0.047M 50V Z F TA52
C495	0CE1056K618	CAPACITOR,ELECTROLYTIC	1.0M SMS 50V M FL TP(5)
C496	0CE2276F618	CAPACITOR,ELECTROLYTIC	220M SMS 16V M FM5 TP(5)
C497	0CE4766F618	CAPACITOR,ELECTROLYTIC	47M SMS 16V M FL TP(5)
C498	0CE4756K618	CAPACITOR,ELECTROLYTIC	4.7M SMS 50V M FL TP(5)
C499	0CE4756K618	CAPACITOR,ELECTROLYTIC	4.7M SMS 50V M FL TP(5)
C665	0CE2256K618	CAPACITOR,ELECTROLYTIC	2.2M SMS 50V M FL TP(5)
C666	0CE2256K618	CAPACITOR,ELECTROLYTIC	2.2M SMS 50V M FL TP(5)
C667	0CE1076F618	CAPACITOR,ELECTROLYTIC	100M SMS 16V M FM5 TP(5)
C668	0CE2266F618	CAPACITOR,ELECTROLYTIC	22M SMS 16V M FM5 TP(5)
C701	0CN1020K519	CAPACITOR TUBULA(HIGH DIELE)	1000P 50V K B TA52
C702	0CE2256K618	CAPACITOR,ELECTROLYTIC	2.2M SMS 50V M FL TP(5)
C703	0CE3366F618	CAPACITOR,ELECTROLYTIC	33M SMS 16V M FL TP(5)
C704	0CX4R70K519	CAPACITOR TUBULA(T.C)	4.7P 50V K C TA52
C705	0CE1066K618	CAPACITOR,ELECTROLYTIC	10M SMS 50V M FM5 TP(5)
C706	0CE4776F618	CAPACITOR,ELECTROLYTIC	470M SMS 16V M FL TP(5)
C707	0CE1076K618	CAPACITOR,ELECTROLYTIC	100UF SMS 50V M FL TP5
C708	0CE1076K618	CAPACITOR,ELECTROLYTIC	100UF SMS 50V M FL TP5
C709	0CQ1041N409	CAPACITOR POLYESTER(MYLAR)	0.1U 100V J POLY TP
C710	0CN2210K519	CAPACITOR TUBULA(HIGH DIELE)	220P 50V K B TA52
C711	0CQ1041N409	CAPACITOR POLYESTER(MYLAR)	0.1U 100V J POLY TP
C712	0CN2210K519	CAPACITOR TUBULA(HIGH DIELE)	220P 50V K B TA52
C716	0CN1040K949	CAPACITOR TUBULA(HIGH DIELE)	0.1M 50V Z F TA52
C717	0CN2230H949	CAPACITOR TUBULA(HIGH DIELE)	22000P 25V Z FTA52
C720	0CE338H96A0	CAPACITOR,AL.ELECTROLYTIC	3300UF DL 75V M VNSN BULK
C720	0CE338H96A0	CAPACITOR,AL.ELECTROLYTIC	3300UF DL 75V M VNSN BULK
C725	0CE4776F618	CAPACITOR,ELECTROLYTIC	470M SMS 16V M FL TP(5)
C726	0CE4776F618	CAPACITOR,ELECTROLYTIC	470M SMS 16V M FL TP(5)
C727	0CE4776F618	CAPACITOR,ELECTROLYTIC	470M SMS 16V M FL TP(5)
C728	0CE338CJ650	CAPACITOR,ELECTROLYT	3300UF SHL 35V M FM7
C731	0CE4776D618	CAPACITOR,ELECTROLYTIC	470M SMS 10V M FL TP(5)
C733	0CQ2231N409	CAPACITOR POLYESTER(MYLAR)	0.022U 100V J POLY TP
C734	0CQ2231N409	CAPACITOR POLYESTER(MYLAR)	0.022U 100V J POLY TP
C737	0CE3356K618	CAPACITOR,ELECTROLYTIC	3.3M SMS 50V M FL TP(5)
C738	0CE1056K618	CAPACITOR,ELECTROLYTIC	1.0M SMS 50V M FL TP(5)
C739	0CE1076K618	CAPACITOR,ELECTROLYTIC	100UF SMS 50V M FL TP5
C740	0CE4766K618	CAPACITOR,ELECTROLYTIC	47M SMS 50V M FM5 TP(5)
C741	0CE4766K618	CAPACITOR,ELECTROLYTIC	47M SMS 50V M FM5 TP(5)
C742	0CE1076L630	CAPACITOR,ELECTROLYTIC	100M SMS 63V M FM(5)
C751	0CN1020K519	CAPACITOR TUBULA(HIGH DIELE)	1000P 50V K B TA52
C752	0CE2256K618	CAPACITOR,ELECTROLYTIC	2.2M SMS 50V M FL TP(5)

C753	0CE3366F618	CAPACITOR,ELECTROLYTIC	33M SMS 16V M FL TP(5)
C754	0CX4R70K519	CAPACITOR TUBULA(T.C)	4.7P 50V K C TA52
C755	0CE1066K618	CAPACITOR,ELECTROLYTIC	10M SMS 50V M FM5 TP(5)
C756	0CE2266F618	CAPACITOR,ELECTROLYTIC	22M SMS 16V M FM5 TP(5)
C757	0CE1076K618	CAPACITOR,ELECTROLYTIC	100UF SMS 50V M FL TP5
C758	0CE1076K618	CAPACITOR,ELECTROLYTIC	100UF SMS 50V M FL TP5
C759	0CQ1041N409	CAPACITOR POLYESTER(MYLAR)	0.1U 100V J POLY TP
C760	0CN2210K519	CAPACITOR TUBULA(HIGH DIELE)	220P 50V K B TA52
C762	0CN2210K519	CAPACITOR TUBULA(HIGH DIELE)	220P 50V K B TA52
C766	0CN1040K949	CAPACITOR TUBULA(HIGH DIELE)	0.1M 50V Z F TA52
C767	0CN2230H949	CAPACITOR TUBULA(HIGH DIELE)	22000P 25V Z FTA52
C770	0CE338H96A0	CAPACITOR,AL.ELECTROLYTIC	3300UF DL 75V M VNSN BULK
C770	0CE338H96A0	CAPACITOR,AL.ELECTROLYTIC	3300UF DL 75V M VNSN BULK
C771	0CQ2231N409	CAPACITOR POLYESTER(MYLAR)	0.022U 100V J POLY TP
C772	0CQ2231N409	CAPACITOR POLYESTER(MYLAR)	0.022U 100V J POLY TP
C778	0CE338CJ650	CAPACITOR,ELECTROLYT	3300UF SHL 35V M FM7
C779	0CE1056K618	CAPACITOR,ELECTROLYTIC	1.0M SMS 50V M FL TP(5)
C780	0CK4730K945	CAPACITOR CERAMIC(HIGH DIELE)	0.047U 50V Z F TS
C781	0CK4730K945	CAPACITOR CERAMIC(HIGH DIELE)	0.047U 50V Z F TS
C796	0CK4730K945	CAPACITOR CERAMIC(HIGH DIELE)	0.047U 50V Z F TS
C801	0CE1076D618	CAPACITOR,ELECTROLYTIC	100M SMS 10V M FM5 TP(5)
C802	0CN1020K519	CAPACITOR TUBULA(HIGH DIELE)	1000P 50V K B TA52
C803	0CE4766F618	CAPACITOR,ELECTROLYTIC	47M SMS 16V M FL TP(5)
C805	0CX2R20K419	CAPACITOR,TUBULAR(T.C)	2.2PF 50V J NP0 TA52
C806	0CN4720F669	CAPACITOR TUBULA(HIGH DIELE)	4700P 16V M X TA52
C807	0CN1030F679	CAPACITOR TUBULA(HIGH DIELE)	0.01MF 16V M Y TA52
C808	0CE1056K618	CAPACITOR,ELECTROLYTIC	1.0M SMS 50V M FL TP(5)
C809	0CE4766F618	CAPACITOR,ELECTROLYTIC	47M SMS 16V M FL TP(5)
C810	0CN1520F569	CAPACITOR TUBULA(HIGH DIELE)	1500P 16V K X TA52
C811	0CN1030F679	CAPACITOR TUBULA(HIGH DIELE)	0.01MF 16V M Y TA52
C812	0CE4756K618	CAPACITOR,ELECTROLYTIC	4.7M SMS 50V M FL TP(5)
C813	0CE4766F618	CAPACITOR,ELECTROLYTIC	47M SMS 16V M FL TP(5)
C814	0CN1030F679	CAPACITOR TUBULA(HIGH DIELE)	0.01MF 16V M Y TA52
C815	0CQ3331N409	CAPACITOR POLYESTER(MYLAR)	0.033U 100V J POLY TP
C816	0CE1076D618	CAPACITOR,ELECTROLYTIC	100M SMS 10V M FM5 TP(5)
C817	0CE4756K618	CAPACITOR,ELECTROLYTIC	4.7M SMS 50V M FL TP(5)
C821	0CQ3331N409	CAPACITOR POLYESTER(MYLAR)	0.033U 100V J POLY TP
C822	0CN1040K949	CAPACITOR TUBULA(HIGH DIELE)	0.1M 50V Z F TA52
C823	0CN5610K519	CAPACITOR TUBULA(HIGH DIELE)	560P 50V K B TA52
C824	0CN1040K949	CAPACITOR TUBULA(HIGH DIELE)	0.1M 50V Z F TA52
C825	0CN1030F679	CAPACITOR TUBULA(HIGH DIELE)	0.01MF 16V M Y TA52
C826	0CN1030F679	CAPACITOR TUBULA(HIGH DIELE)	0.01MF 16V M Y TA52
C827	0CN1020K519	CAPACITOR TUBULA(HIGH DIELE)	1000P 50V K B TA52
C828	0CN2220F669	CAPACITOR TUBULA(HIGH DIELE)	2200P 16V M X TA52
C830	0CN4720F669	CAPACITOR TUBULA(HIGH DIELE)	4700P 16V M X TA52
C831	0CN1010K519	CAPACITOR TUBULA(HIGH DIELE)	100P 50V K B TA52
C832	0CN1030F679	CAPACITOR TUBULA(HIGH DIELE)	0.01MF 16V M Y TA52
C833	0CQ6831N409	CAPACITOR POLYESTER(MYLAR)	0.068U 100V J POLY TP

C834	0CE1066J618	CAPACITOR,ELECTROLYTIC	10M SMS 35V M FL	TP(5)
C835	0CE4776D618	CAPACITOR,ELECTROLYTIC	470M SMS 10V M FL	TP(5)
C836	0CN1020K519	CAPACITOR TUBULA(HIGH DIELE)	1000P 50V K B TA52	
C837	0CN6820F669	CAPACITOR TUBULA(HIGH DIELE)	6800P 16V M X TA(52)	
C840	0CN2230H949	CAPACITOR TUBULA(HIGH DIELE)	22000P 25V Z FTA52	
C841	0CN1040K949	CAPACITOR TUBULA(HIGH DIELE)	0.1M 50V Z F TA52	
C842	0CN1040K949	CAPACITOR TUBULA(HIGH DIELE)	0.1M 50V Z F TA52	
C843	0CQ3331N409	CAPACITOR POLYESTER(MYLAR)	0.033U 100V J POLY	TP
C844	0CE4746K618	CAPACITOR,ELECTROLYTIC	0.47M SMS 50V M FL	TP(5)
C845	0CE4746K618	CAPACITOR,ELECTROLYTIC	0.47M SMS 50V M FL	TP(5)
C846	0CN1030F679	CAPACITOR TUBULA(HIGH DIELE)	0.01MF 16V M Y TA52	
C847	0CE1076D618	CAPACITOR,ELECTROLYTIC	100M SMS 10V M FM5	TP(5)
C848	0CN4730K949	CAPACITOR TUBULA(HIGH DIELE)	0.047M 50V Z F TA52	
C849	0CN1030F679	CAPACITOR TUBULA(HIGH DIELE)	0.01MF 16V M Y TA52	
C850	0CN1520F569	CAPACITOR TUBULA(HIGH DIELE)	1500P 16V K X TA52	
C851	0CX3300K409	CAPACITOR TUBULA(T.C)	33P 50V J SL TA52	
C852	0CX3300K409	CAPACITOR TUBULA(T.C)	33P 50V J SL TA52	
C853	0CE4776D618	CAPACITOR,ELECTROLYTIC	470M SMS 10V M FL	TP(5)
C854	0CN2230H949	CAPACITOR TUBULA(HIGH DIELE)	22000P 25V Z FTA52	
C855	0CN1030F679	CAPACITOR TUBULA(HIGH DIELE)	0.01MF 16V M Y TA52	
C856	0CK1020K945	CAPACITOR,CERAMIC(HIGH DIELE)	1000P 50V Z F TS	
C857	0CN1040K949	CAPACITOR TUBULA(HIGH DIELE)	0.1M 50V Z F TA52	
C859	0CE1076D618	CAPACITOR,ELECTROLYTIC	100M SMS 10V M FM5	TP(5)
C860	0CN1040K949	CAPACITOR TUBULA(HIGH DIELE)	0.1M 50V Z F TA52	
C861	0CN1040K949	CAPACITOR TUBULA(HIGH DIELE)	0.1M 50V Z F TA52	
C862	0CN1030F679	CAPACITOR TUBULA(HIGH DIELE)	0.01MF 16V M Y TA52	
C864	0CN1040K949	CAPACITOR TUBULA(HIGH DIELE)	0.1M 50V Z F TA52	
C865	0CE4776F618	CAPACITOR,ELECTROLYTIC	470M SMS 16V M FL	TP(5)
C866	0CN1040K949	CAPACITOR TUBULA(HIGH DIELE)	0.1M 50V Z F TA52	
C867	0CN1020K519	CAPACITOR TUBULA(HIGH DIELE)	1000P 50V K B TA52	
C868	0CN1020K519	CAPACITOR TUBULA(HIGH DIELE)	1000P 50V K B TA52	
C880	0CE4756K618	CAPACITOR,ELECTROLYTIC	4.7M SMS 50V M FL	TP(5)
C881	0CN1510K519	CAPACITOR TUBULA(HIGH DIELE)	150P 50V K B TA52	
C882	0CN1520F569	CAPACITOR TUBULA(HIGH DIELE)	1500P 16V K X TA52	
C883	0CN3310K519	CAPACITOR TUBULA(HIGH DIELE)	330P 50V K B TA52	
C884	0CE4756K618	CAPACITOR,ELECTROLYTIC	4.7M SMS 50V M FL	TP(5)
C885	0CN4720F669	CAPACITOR TUBULA(HIGH DIELE)	4700P 16V M X TA52	
C887	0CN1020K519	CAPACITOR TUBULA(HIGH DIELE)	1000P 50V K B TA52	
C888	0CE1056K618	CAPACITOR,ELECTROLYTIC	1.0M SMS 50V M FL	TP(5)
C889	0CN1020K519	CAPACITOR TUBULA(HIGH DIELE)	1000P 50V K B TA52	
C890	0CE4756K618	CAPACITOR,ELECTROLYTIC	4.7M SMS 50V M FL	TP(5)
C891	0CN1510K519	CAPACITOR TUBULA(HIGH DIELE)	150P 50V K B TA52	
C892	0CN1520F569	CAPACITOR TUBULA(HIGH DIELE)	1500P 16V K X TA52	
C893	0CN3310K519	CAPACITOR TUBULA(HIGH DIELE)	330P 50V K B TA52	
C894	0CE4756K618	CAPACITOR,ELECTROLYTIC	4.7M SMS 50V M FL	TP(5)
C895	0CN4720F669	CAPACITOR TUBULA(HIGH DIELE)	4700P 16V M X TA52	
C897	0CN1020K519	CAPACITOR TUBULA(HIGH DIELE)	1000P 50V K B TA52	
C901	0CK1040K945	CAPACITOR,CERAMIC(HIGH DIELE)	0.1M 50V Z F TS	
C902	0CK1040K945	CAPACITOR,CERAMIC(HIGH DIELE)	0.1M 50V Z F TS	

C903	0CK2230K945	DIELE) CAPACITOR CERAMIC(HIGH DIELE)	0.022M 50V Z F TS
C904	0CK4730K945	DIELE) CAPACITOR CERAMIC(HIGH DIELE)	0.047U 50V Z F TS
CAM	88H-0003	CD MECHA PARTS	3X12X10FZMY
CF101	616-010B	FILTER CERAMIC	SFE10.7MS3GH(RD) 180K (S)
CF102	616-010B	FILTER CERAMIC	SFE10.7MS3GH(RD) 180K (S)
CF103	616-010B	FILTER CERAMIC	SFE10.7MS3GH(RD) 180K (S)
CN305	6630S-BC044	CONNECTOR (CIRC)	TKC-V30X-A1 TAIKO DENKI 30PIN
CN308	561-640C	CONNECTOR	GL200-03P-TS P=2.0 HOLDER GSC
CN501	561-640H	CONNECTOR	GL200-08P-TS P=2.0 HOLDER GSC
CN701	561-640J	CONNECTOR	GL200-10P-TS P=2.0 HOLDER GSC
CN801	6850SCGP24A	CABLE,FLAT	P=1.0 FFC UL2896 16 240 A TYPE
CN807	561-640J	CONNECTOR	GL200-10P-TS P=2.0 HOLDER GSC
D	353-025C	SCREW	SPECIAL 3X10 FBK
D105	0DR102109AA	DIODE,RECTIFIER	RL102-10C TP GULF SEMICONDUCTO
D105	0DR102109AA	DIODE,RECTIFIER	RL102-10C TP GULF SEMICONDUCTO
D108	0DR102109AA	DIODE,RECTIFIER	RL102-10C TP GULF SEMICONDUCTO
D108	0DR102109AA	DIODE,RECTIFIER	RL102-10C TP GULF SEMICONDUCTO
D109	0DR102109AA	DIODE,RECTIFIER	RL102-10C TP GULF SEMICONDUCTO
D109	0DR102109AA	DIODE,RECTIFIER	RL102-10C TP GULF SEMICONDUCTO
D150	0DD133009AB	DIODE,SWITCHING	1SS133,T-72(52MM) TP ROHM-K
D151	0DD133009AB	DIODE,SWITCHING	1SS133,T-72(52MM) TP ROHM-K
D205	0DR102109AA	DIODE,RECTIFIER	RL102-10C TP GULF SEMICONDUCTO
D205	0DR102109AA	DIODE,RECTIFIER	RL102-10C TP GULF SEMICONDUCTO
D206	0DR102109AA	DIODE,RECTIFIER	RL102-10C TP GULF SEMICONDUCTO
D206	0DR102109AA	DIODE,RECTIFIER	RL102-10C TP GULF SEMICONDUCTO
D301	0DD133009AB	DIODE,SWITCHING	1SS133,T-72(52MM) TP ROHM-K
D302	0DD133009AB	DIODE,SWITCHING	1SS133,T-72(52MM) TP ROHM-K
D303	0DD133009AB	DIODE,SWITCHING	1SS133,T-72(52MM) TP ROHM-K
D304	0DD133009AB	DIODE,SWITCHING	1SS133,T-72(52MM) TP ROHM-K
D311	0DD133009AB	DIODE,SWITCHING	1SS133,T-72(52MM) TP ROHM-K
D315	0DD133009AB	DIODE,SWITCHING	1SS133,T-72(52MM) TP ROHM-K
D317	0DD133009AB	DIODE,SWITCHING	1SS133,T-72(52MM) TP ROHM-K
D318	0DR102109AA	DIODE,RECTIFIER	RL102-10C TP GULF SEMICONDUCTO
D318	0DR102109AA	DIODE,RECTIFIER	RL102-10C TP GULF SEMICONDUCTO
D319	0DR102109AA	DIODE,RECTIFIER	RL102-10C TP GULF SEMICONDUCTO
D319	0DR102109AA	DIODE,RECTIFIER	RL102-10C TP GULF SEMICONDUCTO
D320	0DD133009AB	DIODE,SWITCHING	1SS133,T-72(52MM) TP ROHM-K
D321	0DD133009AB	DIODE,SWITCHING	1SS133,T-72(52MM) TP ROHM-K
D322	0DD133009AB	DIODE,SWITCHING	1SS133,T-72(52MM) TP ROHM-K
D322	0DD133009AB	DIODE,SWITCHING	1SS133,T-72(52MM) TP ROHM-K
D323	0DD133009AB	DIODE,SWITCHING	1SS133,T-72(52MM) TP ROHM-K
D332	0DD133009AB	DIODE,SWITCHING	1SS133,T-72(52MM) TP ROHM-K
D602	0DR102109AA	DIODE,RECTIFIER	RL102-10C TP GULF SEMICONDUCTO
D602	0DR102109AA	DIODE,RECTIFIER	RL102-10C TP GULF SEMICONDUCTO
D701	0DD133009AB	DIODE,SWITCHING	1SS133,T-72(52MM) TP ROHM-K
D702	0DD133009AB	DIODE,SWITCHING	1SS133,T-72(52MM) TP ROHM-K
D703	0DD133009AB	DIODE,SWITCHING	1SS133,T-72(52MM) TP ROHM-K
D706	0DD133009AB	DIODE,SWITCHING	1SS133,T-72(52MM) TP ROHM-K

D707	0DR610000AA	DIODE,RECTIFIER	KBU6G-10C BK GULF SEMICONDUCTO
D708	0DR102109AA	DIODE,RECTIFIER	RL102-10C TP GULF SEMICONDUCTO
D708	0DR102109AA	DIODE,RECTIFIER	RL102-10C TP GULF SEMICONDUCTO
D709	0DR102109AA	DIODE,RECTIFIER	RL102-10C TP GULF SEMICONDUCTO
D709	0DR102109AA	DIODE,RECTIFIER	RL102-10C TP GULF SEMICONDUCTO
D710	0DR102109AA	DIODE,RECTIFIER	RL102-10C TP GULF SEMICONDUCTO
D710	0DR102109AA	DIODE,RECTIFIER	RL102-10C TP GULF SEMICONDUCTO
D711	0DR610000AA	DIODE,RECTIFIER	KBU6G-10C BK GULF SEMICONDUCTO
D751	0DD133009AB	DIODE,SWITCHING	1SS133,T-72(52MM) TP ROHM-K
D777	0DD133009AB	DIODE,SWITCHING	1SS133,T-72(52MM) TP ROHM-K
D778	0DD133009AB	DIODE,SWITCHING	1SS133,T-72(52MM) TP ROHM-K
D779	0DD133009AB	DIODE,SWITCHING	1SS133,T-72(52MM) TP ROHM-K
D780	0DD133009AB	DIODE,SWITCHING	1SS133,T-72(52MM) TP ROHM-K
D801	0DD133009AB	DIODE,SWITCHING	1SS133,T-72(52MM) TP ROHM-K
E	353-025C	SCREW	SPECIAL 3X10 FBK
F	353-025C	SCREW	SPECIAL 3X10 FBK
F703A	586T001C	FUSE HOLDER	PIN CLIP TAPPING 5X20 KS
F703B	586T001C	FUSE HOLDER	PIN CLIP TAPPING 5X20 KS
F704A	586T001C	FUSE HOLDER	PIN CLIP TAPPING 5X20 KS
F704B	586T001C	FUSE HOLDER	PIN CLIP TAPPING 5X20 KS
F705A	586T001C	FUSE HOLDER	PIN CLIP TAPPING 5X20 KS
F705B	586T001C	FUSE HOLDER	PIN CLIP TAPPING 5X20 KS
F706A	586T001C	FUSE HOLDER	PIN CLIP TAPPING 5X20 KS
F706B	586T001C	FUSE HOLDER	PIN CLIP TAPPING 5X20 KS
FB101	631T603R	COIL ANTENNA	BFS2545A0F(52MM,TP)SAMHWA
FB102	631T603R	COIL ANTENNA	BFS2545A0F(52MM,TP)SAMHWA
FB110	631T603R	COIL ANTENNA	BFS2545A0F(52MM,TP)SAMHWA
FB115	631T603R	COIL ANTENNA	BFS2545A0F(52MM,TP)SAMHWA
FB116	631T603R	COIL ANTENNA	BFS2545A0F(52MM,TP)SAMHWA
FB117	631T603R	COIL ANTENNA	BFS2545A0F(52MM,TP)SAMHWA
FB201	631T603R	COIL ANTENNA	BFS2545A0F(52MM,TP)SAMHWA
FB202	631T603R	COIL ANTENNA	BFS2545A0F(52MM,TP)SAMHWA
FB251	631T603R	COIL ANTENNA	BFS2545A0F(52MM,TP)SAMHWA
FB252	631T603R	COIL ANTENNA	BFS2545A0F(52MM,TP)SAMHWA
FB701	631T603R	COIL ANTENNA	BFS2545A0F(52MM,TP)SAMHWA
FB702	631T603R	COIL ANTENNA	BFS2545A0F(52MM,TP)SAMHWA
FB706	631T603R	COIL ANTENNA	BFS2545A0F(52MM,TP)SAMHWA
FB710	631T603R	COIL ANTENNA	BFS2545A0F(52MM,TP)SAMHWA
FB711	631T603R	COIL ANTENNA	BFS2545A0F(52MM,TP)SAMHWA
FB751	631T603R	COIL ANTENNA	BFS2545A0F(52MM,TP)SAMHWA
FB752	631T603R	COIL ANTENNA	BFS2545A0F(52MM,TP)SAMHWA
FB756	631T603R	COIL ANTENNA	BFS2545A0F(52MM,TP)SAMHWA
FIP301	6302S-V003D	DIGITRON	SVA-16ML04 SAMSUNG FFH-5500/88
G	353-025C	SCREW	SPECIAL 3X10 FBK
GEAR	88H-0002	CD MECHA PARTS	3X9X12FZMY
H	353-025C	SCREW	SPECIAL 3X10 FBK
I	353-025C	SCREW	SPECIAL 3X10 FBK
IC102	0ISA183700A	IC,SANYO	LA1837 30P DIP BK AM/FM IF MPX
IC103	0ISA721310A	IC,SANYO	LC72131D 22P DIP BK PLL FOR TU



IC201	0IRH312600A	IC,ROHM	BA3126N HI-VOL HEAD S/W,ROHM/
IC202	0IKE628900A	IC, KEC	KIA6289N (KIA148N) KEC
IC203	0IRH209000A	IC,ROHM	BU2090F 16PIN SOP BK EXPANDER
IC203	0IRH209000A	IC,ROHM	BU2090F 16PIN SOP BK EXPANDER
IC301	0ISA866540Q	IC,SANYO	LC866540V 100P QFP BK 1ST MICO
IC302	0IMY700000A	IC,MSI	MSGEQ7 8P DIP BK 7 BAND GRAPHI
IC303	0IRH209000A	IC,ROHM	BU2090F 16PIN SOP BK EXPANDER
IC303	0IRH209000A	IC,ROHM	BU2090F 16PIN SOP BK EXPANDER
IC305	0IKE455800A	IC, KEC	KIA4558P 8DIP LIN OP-AMP
IC401	0ISG743900B	IC,SGS-THOMSON	TDA7439 (NEW) 30P SDIP BK FUNC
IC403	0IKE455800A	IC, KEC	KIA4558P 8DIP LIN OP-AMP
IC407	0IKE455800A	IC, KEC	KIA4558P 8DIP LIN OP-AMP
IC701	0ISA411220A	IC,SANYO	STK411-220E 22P SIP BK PWR AMP
IC702	0IKE780500H	IC,KEC	KIA7805PI 5V 1A REG/VOLT,KEC
IC704	0ISS781200E	IC,SAMSUNG SEMICONDUCTOR	KA78R12 TO-220 LD 1A REGL
IC705	0ISS780500D	IC,SAMSUNG SEMICONDUCTOR	KA78R05 TO-220 LD 1A REG
IC801	0ISS922300A	IC,SAMSUNG ELECTRONICS	KB9223 80P QFP BK CD ASP
IC802	0ISS928600B	IC,SAMSUNG ELECTRONICS	KS9286B 80P QFP BK DSP FOR CD
IC803	0ISS925800A	IC	KA9258,S/S
IC804	0ISS830100B	IC,SAMSUNG ELECTRONICS	KA8301 10PIN SIP BK CD MOTOR D
IC805	0ISS308200A	IC,SAMSUNG ELECTRONICS	KA3082 10-SIP BK MOTOR DRIVE
JK101	561-100H	CONNECTOR	TERMIANL ANT SP-031
JK103	576-002I	JACK RCA	JACK,BLOCK S-436*-2P(RD/WH)
JK301	572-534F	JACK 6.4	HTJ-064-03B1 H=12.5 9PIN KUNMI
JK601	561-100D	CONNECTOR	TERMIANL SPEAKER SP-026B
JK602	572-534F	JACK 6.4	HTJ-064-03B1 H=12.5 9PIN KUNMI
K	4405SCB001A	MECHANISM ASSY	KSM-213CCM
L101	6140SCD001A	COIL,IFT	IFT FILTER KSNT-101I KWANGSUNG
L101	6140SCD001A	COIL,IFT	IFT FILTER KSNT-101I KWANGSUNG
L102	637N009A	INDUCTOR	33MH C/CORE (=N008A)
L106	6140SCJ004A	COIL,OSCILLATOR	KSZ-73C KWANG SUNG OSC BULK FF
L107	6140SCB001D	COIL,RF	RF,MW TUNING UNIT(634-700E) CE
L109	0LA1000K019	INDUCTOR AXIAL LEAD	100M K 2.3X3.4 L5 TP(52M/M)
L203	634N620C	COIL OSCILLATOR	OSC TAPE 10 4.7MH (=610C)
L303	0LA0102K019	INDUCTOR AXIAL LEAD	10M K 2.3X3.4 L5 TP(52M/M)
LD301	0DL307119CA	LED	LTL-307YE-112A TP LITEON YELLO
LD302	0DL307119CA	LED	LTL-307YE-112A TP LITEON YELLO
LD303	0DL307119CA	LED	LTL-307YE-112A TP LITEON YELLO
LD304	0DL307119CA	LED	LTL-307YE-112A TP LITEON YELLO
LD305	0DL307119DA	LED	LTL-307E-112A TP LITEON RED =0
LD309	0DL307119FA	LED	LTL-307K-112A TP LITEON GREEN
LD309	0DL307119FA	LED	LTL-307K-112A TP LITEON GREEN
LD310	0DL307119FA	LED	LTL-307K-112A TP LITEON GREEN
LD310	0DL307119FA	LED	LTL-307K-112A TP LITEON GREEN
LD311	0DL307119EA	LED	LTL-307KE-112A TP LITEON GREEN
LD312	0DL307119EA	LED	LTL-307KE-112A TP LITEON GREEN
LD313	0DL307119EA	LED	LTL-307KE-112A TP LITEON GREEN
LD314	0DL307119EA	LED	LTL-307KE-112A TP LITEON GREEN
LD315	0DL307119EA	LED	LTL-307KE-112A TP LITEON GREEN
LD316	0DL307119EA	LED	LTL-307KE-112A TP LITEON GREEN

LD317	0DL307119DA	LED	LTL-307E-112A TP LITEON RED =0
LD320	0DL102109AA	LED	LTL-1CHE-021A TP LITEON RED =0
LD321	0DL102109AA	LED	LTL-1CHE-021A TP LITEON RED =0
LD322	0DL102109AA	LED	LTL-1CHE-021A TP LITEON RED =0
LD323	0DL102109AA	LED	LTL-1CHE-021A TP LITEON RED =0
LD510	0DL307119EA	LED	LTL-307KE-112A TP LITEON GREEN
LD511	0DL111209GA	LED	LTL-1CHAS-112A TP LITEON ORANG
LD511	0DL111209GA	LED	LTL-1CHAS-112A TP LITEON ORANG
LD512	0DL307119EA	LED	LTL-307KE-112A TP LITEON GREEN
LD513	0DL111209GA	LED	LTL-1CHAS-112A TP LITEON ORANG
LD513	0DL111209GA	LED	LTL-1CHAS-112A TP LITEON ORANG
LD514	0DL307119EA	LED	LTL-307KE-112A TP LITEON GREEN
OJ103	0LA0102K019	INDUCTOR AXIAL LEAD	10M K 2.3X3.4 L5 TP(52M/M)
OJ109	0RD2201F609	RESISTOR,FIXED CARBON FILM	2.2K 1/6W 5 TA52
P701	561-910C	CONNECTOR	TERMINAL SEMKO PCB-ROCKING
P702	561-910C	CONNECTOR	TERMINAL SEMKO PCB-ROCKING
PN201	561-715C	CONNECTOR	WAFER, G/S GIL-G-03P
PN202	561-715H	CONNECTOR	WAFER,G/S GIL-G-08P-S3T2-E (S)
PN301	561-686T	CONNECTOR	WAFER,FPC ELCO 8370-201 20PST
PN302	6630S-BC034	CONNECTOR (CIRC)	TKC-V30P-A1 TAIKO DENKI 30PIN
PN308	561-640C	CONNECTOR	GL200-03P-TS P=2.0 HOLDER GSC
PN501	561-640H	CONNECTOR	GL200-08P-TS P=2.0 HOLDER GSC
PN501	561-686Q	CONNECTOR (CIRC),FFC/FPC	00-8370-171-000-800 ELCO 17PIN
PN701	561-643J	CONNECTOR	WIRE TRAP J-MX52151-1010
PN801	6630S-FB07P	CONNECTOR (CIRC),FFC/FPC	00-6232-016-008-800 ELCO KOREA
PN802	561-711BAAA	CONNECTOR	*WAFER,G/S GIL-S-02P-S2T2-EF
PN803	561-711F	CONNECTOR	*WAFER,G/S GIL-S-06P-S2T2-EF
PN804	561-711DAAA	CONNECTOR	GIL-S-04P-S2T2-EF LG CABLE 4PI
PN805	561-711EAAA	CONNECTOR	*WAFER,G/S GIL-S-05P-S2T2-EF
PN806	561-686T	CONNECTOR	WAFER,FPC ELCO 8370-201 20PST
PN807	561-644J	CONNECTOR	WIRE TRAP MX52147-1010
PT701	6170SCN03ZS	TRANSFORMER,POWER	115/230V 5/60HZ 96X60 SEK
Q101	0TR319209AA	TRANSISTOR	KTC3192-0 TP,KEC(KTC380TM-0)
Q102	0TR126709AB	TRANSISTOR	KTA1267-Y MINI TP,KEC
Q103	0TR102009AF	TRANSISTOR	KRC102M TP,KEC(KRC1202)
Q107	0TR319809AB	TRANSISTOR	KTC3198-TP-GR (KTC1815) KEC
Q107	0TR319809AB	TRANSISTOR	KTC3198-TP-GR (KTC1815) KEC
Q108	0TR319809AB	TRANSISTOR	KTC3198-TP-GR (KTC1815) KEC
Q108	0TR319809AB	TRANSISTOR	KTC3198-TP-GR (KTC1815) KEC
Q109	0TR319809AB	TRANSISTOR	KTC3198-TP-GR (KTC1815) KEC
Q109	0TR319809AB	TRANSISTOR	KTC3198-TP-GR (KTC1815) KEC
Q109	0TR319809AB	TRANSISTOR	KTC3198-TP-GR (KTC1815) KEC
Q110	0TR319809AB	TRANSISTOR	KTC3198-TP-GR (KTC1815) KEC
Q110	0TR319809AB	TRANSISTOR	KTC3198-TP-GR (KTC1815) KEC
Q111	0TR103009AF	TRANSISTOR	KRA103M-TP (KRA2203) KEC
Q111	0TR103009AF	TRANSISTOR	KRA103M-TP (KRA2203) KEC
Q115	0TR102009AF	TRANSISTOR	KRC102M TP,KEC(KRC1202)
Q201	0TR130209AA	TRANSISTOR	KTD1302 MUTING TP,KEC
Q202	0TR319809AB	TRANSISTOR	KTC3198-TP-GR (KTC1815) KEC
Q202	0TR319809AB	TRANSISTOR	KTC3198-TP-GR (KTC1815) KEC
Q203	0TR319809AB	TRANSISTOR	KTC3198-TP-GR (KTC1815) KEC

Q203	0TR319809AB	TRANSISTOR	KTC3198-TP-GR (KTC1815)	KEC
Q205	0TR320509AB	TRANSISTOR	KTC3205-TP-Y (KTC2236A)	KEC
Q205	0TR320509AB	TRANSISTOR	KTC3205-TP-Y (KTC2236A)	KEC
Q206	0TR319809AB	TRANSISTOR	KTC3198-TP-GR (KTC1815)	KEC
Q206	0TR319809AB	TRANSISTOR	KTC3198-TP-GR (KTC1815)	KEC
Q207	0TR320509AB	TRANSISTOR	KTC3205-TP-Y (KTC2236A)	KEC
Q207	0TR320509AB	TRANSISTOR	KTC3205-TP-Y (KTC2236A)	KEC
Q208	0TR130209AA	TRANSISTOR	KTD1302 MUTING TP,	KEC
Q209	0TR127309AA	TRANSISTOR	KTA1273-TP-Y (KTA966A)	KEC
Q210	0TR127309AA	TRANSISTOR	KTA1273-TP-Y (KTA966A)	KEC
Q211	0TR127309AA	TRANSISTOR	KTA1273-TP-Y (KTA966A)	KEC
Q212	0TR126609AA	TRANSISTOR	KTA1266-TP-Y (KTA1015)	KEC
Q212	0TR126609AA	TRANSISTOR	KTA1266-TP-Y (KTA1015)	KEC
Q213	0TR102009AF	TRANSISTOR	KRC102M TP,	KEC(KRC1202)
Q215	0TR102009AE	TRANSISTOR	KRA102M TP,	KEC(KRA2202)
Q216	0TR102009AF	TRANSISTOR	KRC102M TP,	KEC(KRC1202)
Q251	0TR130209AA	TRANSISTOR	KTD1302 MUTING TP,	KEC
Q252	0TR319809AB	TRANSISTOR	KTC3198-TP-GR (KTC1815)	KEC
Q252	0TR319809AB	TRANSISTOR	KTC3198-TP-GR (KTC1815)	KEC
Q253	0TR319809AB	TRANSISTOR	KTC3198-TP-GR (KTC1815)	KEC
Q253	0TR319809AB	TRANSISTOR	KTC3198-TP-GR (KTC1815)	KEC
Q254	0TR102009AF	TRANSISTOR	KRC102M TP,	KEC(KRC1202)
Q306	0TR319209AA	TRANSISTOR	KTC3192-0 TP,	KEC(KTC380TM-0)
Q307	0TR126609AA	TRANSISTOR	KTA1266-TP-Y (KTA1015)	KEC
Q307	0TR126609AA	TRANSISTOR	KTA1266-TP-Y (KTA1015)	KEC
Q308	0TR126609AA	TRANSISTOR	KTA1266-TP-Y (KTA1015)	KEC
Q308	0TR126609AA	TRANSISTOR	KTA1266-TP-Y (KTA1015)	KEC
Q309	0TR320509AB	TRANSISTOR	KTC3205-TP-Y (KTC2236A)	KEC
Q309	0TR320509AB	TRANSISTOR	KTC3205-TP-Y (KTC2236A)	KEC
Q310	0TR102009AF	TRANSISTOR	KRC102M TP,	KEC(KRC1202)
Q311	0TR102009AF	TRANSISTOR	KRC102M TP,	KEC(KRC1202)
Q312	0TR102009AF	TRANSISTOR	KRC102M TP,	KEC(KRC1202)
Q313	0TR102009AF	TRANSISTOR	KRC102M TP,	KEC(KRC1202)
Q314	0TR102009AF	TRANSISTOR	KRC102M TP,	KEC(KRC1202)
Q330	0TR102009AF	TRANSISTOR	KRC102M TP,	KEC(KRC1202)
Q331	0TR102009AF	TRANSISTOR	KRC102M TP,	KEC(KRC1202)
Q401	0TR130209AA	TRANSISTOR	KTD1302 MUTING TP,	KEC
Q402	0TR102009AE	TRANSISTOR	KRA102M TP,	KEC(KRA2202)
Q405	0TR201200AB	TRANSISTOR	KTD2058-Y PWR	KEC
Q406	0TR102009AE	TRANSISTOR	KRA102M TP,	KEC(KRA2202)
Q407	0TR319809AB	TRANSISTOR	KTC3198-TP-GR (KTC1815)	KEC
Q407	0TR319809AB	TRANSISTOR	KTC3198-TP-GR (KTC1815)	KEC
Q408	0TR130209AA	TRANSISTOR	KTD1302 MUTING TP,	KEC
Q409	0TR111009AD	TRANSISTOR	KRC111M TP,	KEC
Q410	0TR111009AD	TRANSISTOR	KRC111M TP,	KEC
Q411	0TR103009AE	TRANSISTOR	KRC103M-TP (KRC1203)	KEC
Q412	0TR111009AD	TRANSISTOR	KRC111M TP,	KEC
Q414	0TR130209AA	TRANSISTOR	KTD1302 MUTING TP,	KEC
Q415	0TR130209AA	TRANSISTOR	KTD1302 MUTING TP,	KEC
Q420	0TR111009AC	TRANSISTOR	KRA111M TP,	KEC

Q451	0TR130209AA	TRANSISTOR	KTD1302 MUTING TP,KEC
Q701	0TR127309AA	TRANSISTOR	KTA1273-TP-Y (KTA966A)KEC
Q702	0TR320009AA	TRANSISTOR	KTC3200-TP-GR (KTC2240)KEC
Q703	0TR949009AA	TRANSISTOR	KTA949-Y TP, KEC
Q752	0TR320009AA	TRANSISTOR	KTC3200-TP-GR (KTC2240)KEC
Q761	0TR319809AB	TRANSISTOR	KTC3198-TP-GR (KTC1815) KEC
Q761	0TR319809AB	TRANSISTOR	KTC3198-TP-GR (KTC1815) KEC
Q762	0TR319809AB	TRANSISTOR	KTC3198-TP-GR (KTC1815) KEC
Q762	0TR319809AB	TRANSISTOR	KTC3198-TP-GR (KTC1815) KEC
Q763	0TR320209AA	TRANSISTOR	KTC3202-TP-Y (KTC1959)KEC
Q764	0TR319809AB	TRANSISTOR	KTC3198-TP-GR (KTC1815) KEC
Q764	0TR319809AB	TRANSISTOR	KTC3198-TP-GR (KTC1815) KEC
Q801	0TR126609AB	TRANSISTOR	KTA1266-GR TP,KEC(KTA1015GR)
R102	0RD1000F609	RESISTOR,FIXED CARBON FILM	100 1/6W 5 TA52
R103	0RD5600F609	RESISTOR,FIXED CARBON FILM	560 1/6W 5 TA52
R104	0RD1801F609	RESISTOR,FIXED CARBON FILM	1.8K 1/6W 5 TA52
R105	0RD0102F609	RESISTOR,FIXED CARBON FILM	10 1/6W 5 TA52
R106	0RD1200F609	RESISTOR,FIXED CARBON FILM	120 1/6W 5 TA52
R107	0RD4702F609	RESISTOR,FIXED CARBON FILM	47K 1/6W 5 TA52
R108	0RD1002F609	RESISTOR,FIXED CARBON FILM	10K 1/6W 5 TA52
R109	0RD1002F609	RESISTOR,FIXED CARBON FILM	10K 1/6W 5 TA52
R110	0RD1000F609	RESISTOR,FIXED CARBON FILM	100 1/6W 5 TA52
R111	0RD3300F609	RESISTOR,FIXED CARBON FILM	330 1/6W 5 TA52
R113	0RD4701F609	RESISTOR,FIXED CARBON FILM	4.7K 1/6W 5 TA52
R114	0RD4701F609	RESISTOR,FIXED CARBON FILM	4.7K 1/6W 5 TA52
R115	0RD5601F609	RESISTOR,FIXED CARBON FILM	5.6K 1/6W 5 TA52
R116	0RD0222F609	RESISTOR,FIXED CARBON FILM	22 1/6W 5 TA52
R117	0RD1502F609	RESISTOR,FIXED CARBON FILM	15K 1/6W 5 TA52
R118	0RD1502F609	RESISTOR,FIXED CARBON FILM	15K 1/6W 5 TA52
R119	0RD1002F609	RESISTOR,FIXED CARBON FILM	10K 1/6W 5 TA52
R120	0RD4701F609	RESISTOR,FIXED CARBON FILM	4.7K 1/6W 5 TA52
R121	0RD0102F609	RESISTOR,FIXED CARBON FILM	10 1/6W 5 TA52
R122	0RD1202F609	RESISTOR,FIXED CARBON FILM	12K 1/6W 5 TA52
R123	0RD2202F609	RESISTOR,FIXED CARBON FILM	22K 1/6W 5 TA52
R124	0RD2202F609	RESISTOR,FIXED CARBON FILM	22K 1/6W 5 TA52
R125	0RD1001F609	RESISTOR,FIXED CARBON FILM	1.0K 1/6W 5 TA52
R126	0RD1001F609	RESISTOR,FIXED CARBON FILM	1.0K 1/6W 5 TA52
R127	0RD1001F609	RESISTOR,FIXED CARBON FILM	1.0K 1/6W 5 TA52
R128	0RD1001F609	RESISTOR,FIXED CARBON FILM	1.0K 1/6W 5 TA52
R129	0RD3901F609	RESISTOR,FIXED CARBON FILM	3.9K 1/6W 5 TA52
R130	0RD1002F609	RESISTOR,FIXED CARBON FILM	10K 1/6W 5 TA52
R132	0RD1501F609	RESISTOR,FIXED CARBON FILM	1.5K 1/6W 5 TA52
R133	0RD4701F609	RESISTOR,FIXED CARBON FILM	4.7K 1/6W 5 TA52
R134	0RD4701F609	RESISTOR,FIXED CARBON FILM	4.7K 1/6W 5 TA52
R135	0RD2202F609	RESISTOR,FIXED CARBON FILM	22K 1/6W 5 TA52
R136	0RD3301F609	RESISTOR,FIXED CARBON FILM	3.3K 1/6W 5 TA52
R137	0RD3301F609	RESISTOR,FIXED CARBON FILM	3.3K 1/6W 5 TA52
R139	0RD1202F609	RESISTOR,FIXED CARBON FILM	12K 1/6W 5 TA52
R140	0RD1202F609	RESISTOR,FIXED CARBON FILM	12K 1/6W 5 TA52
R141	0RD3301F609	RESISTOR,FIXED CARBON FILM	3.3K 1/6W 5 TA52

R142	0RD3301F609	RESISTOR, FIXED CARBON FILM	3.3K 1/6W 5 TA52
R144	0RD1003F609	RESISTOR, FIXED CARBON FILM	100K 1/6W 5 TA52
R146	0RD1001F609	RESISTOR, FIXED CARBON FILM	1.0K 1/6W 5 TA52
R147	0RD8202F609	RESISTOR, FIXED CARBON FILM	82K 1/6W 5 TA52
R149	0RD6801F609	RESISTOR, FIXED CARBON FILM	6.8K 1/6W 5 TA52
R151	0RD3301F609	RESISTOR, FIXED CARBON FILM	3.3K 1/6W 5 TA52
R152	0RD4701F609	RESISTOR, FIXED CARBON FILM	4.7K 1/6W 5 TA52
R153	0RD1002F609	RESISTOR, FIXED CARBON FILM	10K 1/6W 5 TA52
R156	0RD3302F609	RESISTOR, FIXED CARBON FILM	33K 1/6W 5 TA52
R165	0RD3902F609	RESISTOR, FIXED CARBON FILM	39K 1/6W 5 TA52
R166	0RD3902F609	RESISTOR, FIXED CARBON FILM	39K 1/6W 5 TA52
R167	0RD2202F609	RESISTOR, FIXED CARBON FILM	22K 1/6W 5 TA52
R168	0RD2202F609	RESISTOR, FIXED CARBON FILM	22K 1/6W 5 TA52
R181	0RD6801F609	RESISTOR, FIXED CARBON FILM	6.8K 1/6W 5 TA52
R182	0RD6801F609	RESISTOR, FIXED CARBON FILM	6.8K 1/6W 5 TA52
R191	0RD4701F609	RESISTOR, FIXED CARBON FILM	4.7K 1/6W 5 TA52
R192	0RD8201F609	RESISTOR, FIXED CARBON FILM	8.2K 1/6W 5 TA52
R196	0RD1001F609	RESISTOR, FIXED CARBON FILM	1.0K 1/6W 5 TA52
R197	0RD1000F609	RESISTOR, FIXED CARBON FILM	100 1/6W 5 TA52
R201	0RD1003F609	RESISTOR, FIXED CARBON FILM	100K 1/6W 5 TA52
R202	0RD1003F609	RESISTOR, FIXED CARBON FILM	100K 1/6W 5 TA52
R203	0RD5601F609	RESISTOR, FIXED CARBON FILM	5.6K 1/6W 5 TA52
R204	0RD1202F609	RESISTOR, FIXED CARBON FILM	12K 1/6W 5 TA52
R205	0RD1002F609	RESISTOR, FIXED CARBON FILM	10K 1/6W 5 TA52
R206	0RD1002F609	RESISTOR, FIXED CARBON FILM	10K 1/6W 5 TA52
R208	0RD0682F609	RESISTOR, FIXED CARBON FILM	68 1/6W 5 TA52
R209	0RD3903F609	RESISTOR, FIXED CARBON FILM	390K 1/6W 5 TA52
R210	0RD1502F609	RESISTOR, FIXED CARBON FILM	15K 1/6W 5 TA52
R211	0RD1202F609	RESISTOR, FIXED CARBON FILM	12K 1/6W 5 TA52
R212	0RD1801F609	RESISTOR, FIXED CARBON FILM	1.8K 1/6W 5 TA52
R213	0RD1003F609	RESISTOR, FIXED CARBON FILM	100K 1/6W 5 TA52
R214	0RD5600F609	RESISTOR, FIXED CARBON FILM	560 1/6W 5 TA52
R215	0RD5602F609	RESISTOR, FIXED CARBON FILM	56K 1/6W 5 TA52
R216	0RD1802F609	RESISTOR, FIXED CARBON FILM	18K 1/6W 5 TA52
R217	0RD4702F609	RESISTOR, FIXED CARBON FILM	47K 1/6W 5 TA52
R218	0RD1003F609	RESISTOR, FIXED CARBON FILM	100K 1/6W 5 TA52
R219	0RD2202F609	RESISTOR, FIXED CARBON FILM	22K 1/6W 5 TA52
R220	0RD4701F609	RESISTOR, FIXED CARBON FILM	4.7K 1/6W 5 TA52
R221	0RD1002F609	RESISTOR, FIXED CARBON FILM	10K 1/6W 5 TA52
R222	0RD1002F609	RESISTOR, FIXED CARBON FILM	10K 1/6W 5 TA52
R223	0RD1202F609	RESISTOR, FIXED CARBON FILM	12K 1/6W 5 TA52
R224	0RD1003F609	RESISTOR, FIXED CARBON FILM	100K 1/6W 5 TA52
R225	0RD1202F609	RESISTOR, FIXED CARBON FILM	12K 1/6W 5 TA52
R230	0RD1003F609	RESISTOR, FIXED CARBON FILM	100K 1/6W 5 TA52
R231	0RD2201F609	RESISTOR, FIXED CARBON FILM	2.2K 1/6W 5 TA52
R232	0RD2201F609	RESISTOR, FIXED CARBON FILM	2.2K 1/6W 5 TA52
R233	0RD3901F609	RESISTOR, FIXED CARBON FILM	3.9K 1/6W 5 TA52
R236	0RD4701F609	RESISTOR, FIXED CARBON FILM	4.7K 1/6W 5 TA52
R237	0RD1502F609	RESISTOR, FIXED CARBON FILM	15K 1/6W 5 TA52
R238	0RD0102F609	RESISTOR, FIXED CARBON FILM	10 1/6W 5 TA52

R239	0RD1002F609	RESISTOR, FIXED CARBON FILM	10K 1/6W 5 TA52
R240	0RD4700F609	RESISTOR, FIXED CARBON FILM	470 1/6W 5 TA52
R241	0RD4702F609	RESISTOR, FIXED CARBON FILM	47K 1/6W 5 TA52
R242	0RD8201F609	RESISTOR, FIXED CARBON FILM	8.2K 1/6W 5 TA52
R243	0RD8201F609	RESISTOR, FIXED CARBON FILM	8.2K 1/6W 5 TA52
R244	0RD8201F609	RESISTOR, FIXED CARBON FILM	8.2K 1/6W 5 TA52
R245	0RD1002F609	RESISTOR, FIXED CARBON FILM	10K 1/6W 5 TA52
R246	0RD5602F609	RESISTOR, FIXED CARBON FILM	56K 1/6W 5 TA52
R247	0RD3902F609	RESISTOR, FIXED CARBON FILM	39K 1/6W 5 TA52
R248	0RD1802F609	RESISTOR, FIXED CARBON FILM	18K 1/6W 5 TA52
R249	0RD8201F609	RESISTOR, FIXED CARBON FILM	8.2K 1/6W 5 TA52
R250	0RD1002F609	RESISTOR, FIXED CARBON FILM	10K 1/6W 5 TA52
R251	0RD1003F609	RESISTOR, FIXED CARBON FILM	100K 1/6W 5 TA52
R252	0RD1003F609	RESISTOR, FIXED CARBON FILM	100K 1/6W 5 TA52
R253	0RD5601F609	RESISTOR, FIXED CARBON FILM	5.6K 1/6W 5 TA52
R254	0RD1202F609	RESISTOR, FIXED CARBON FILM	12K 1/6W 5 TA52
R255	0RD1802F609	RESISTOR, FIXED CARBON FILM	18K 1/6W 5 TA52
R256	0RD1002F609	RESISTOR, FIXED CARBON FILM	10K 1/6W 5 TA52
R257	0RD1501F609	RESISTOR, FIXED CARBON FILM	1.5K 1/6W 5 TA52
R258	0RD0682F609	RESISTOR, FIXED CARBON FILM	68 1/6W 5 TA52
R259	0RD3903F609	RESISTOR, FIXED CARBON FILM	390K 1/6W 5 TA52
R260	0RD1502F609	RESISTOR, FIXED CARBON FILM	15K 1/6W 5 TA52
R261	0RD1202F609	RESISTOR, FIXED CARBON FILM	12K 1/6W 5 TA52
R262	0RD1801F609	RESISTOR, FIXED CARBON FILM	1.8K 1/6W 5 TA52
R263	0RD5600F609	RESISTOR, FIXED CARBON FILM	560 1/6W 5 TA52
R264	0RD1003F609	RESISTOR, FIXED CARBON FILM	100K 1/6W 5 TA52
R265	0RD5602F609	RESISTOR, FIXED CARBON FILM	56K 1/6W 5 TA52
R266	0RD1802F609	RESISTOR, FIXED CARBON FILM	18K 1/6W 5 TA52
R267	0RD4702F609	RESISTOR, FIXED CARBON FILM	47K 1/6W 5 TA52
R268	0RD1003F609	RESISTOR, FIXED CARBON FILM	100K 1/6W 5 TA52
R269	0RD2202F609	RESISTOR, FIXED CARBON FILM	22K 1/6W 5 TA52
R270	0RD4701F609	RESISTOR, FIXED CARBON FILM	4.7K 1/6W 5 TA52
R271	0RD1002F609	RESISTOR, FIXED CARBON FILM	10K 1/6W 5 TA52
R272	0RD1002F609	RESISTOR, FIXED CARBON FILM	10K 1/6W 5 TA52
R273	0RD1202F609	RESISTOR, FIXED CARBON FILM	12K 1/6W 5 TA52
R274	0RD1003F609	RESISTOR, FIXED CARBON FILM	100K 1/6W 5 TA52
R275	0RD1202F609	RESISTOR, FIXED CARBON FILM	12K 1/6W 5 TA52
R276	0RD5601F609	RESISTOR, FIXED CARBON FILM	5.6K 1/6W 5 TA52
R277	0RD2201F609	RESISTOR, FIXED CARBON FILM	2.2K 1/6W 5 TA52
R278	0RD1002F609	RESISTOR, FIXED CARBON FILM	10K 1/6W 5 TA52
R279	0RD1003F609	RESISTOR, FIXED CARBON FILM	100K 1/6W 5 TA52
R280	0RD4702F609	RESISTOR, FIXED CARBON FILM	47K 1/6W 5 TA52
R281	0RD4702F609	RESISTOR, FIXED CARBON FILM	47K 1/6W 5 TA52
R282	0RD4702F609	RESISTOR, FIXED CARBON FILM	47K 1/6W 5 TA52
R283	0RD4702F609	RESISTOR, FIXED CARBON FILM	47K 1/6W 5 TA52
R284	0RD4702F609	RESISTOR, FIXED CARBON FILM	47K 1/6W 5 TA52
R285	0RD4702F609	RESISTOR, FIXED CARBON FILM	47K 1/6W 5 TA52
R286	0RD4700F609	RESISTOR, FIXED CARBON FILM	470 1/6W 5 TA52
R287	0RD2703F609	RESISTOR, FIXED CARBON FILM	270K 1/6W 5 TA52
R288	0RD1001F609	RESISTOR, FIXED CARBON FILM	1.0K 1/6W 5 TA52

R289	0RD1001F609	RESISTOR, FIXED CARBON FILM	1.0K 1/6W 5 TA52
R290	0RD4701F609	RESISTOR, FIXED CARBON FILM	4.7K 1/6W 5 TA52
R291	0RD4701F609	RESISTOR, FIXED CARBON FILM	4.7K 1/6W 5 TA52
R292	0RD4701F609	RESISTOR, FIXED CARBON FILM	4.7K 1/6W 5 TA52
R293	0RD4701F609	RESISTOR, FIXED CARBON FILM	4.7K 1/6W 5 TA52
R294	0RD1501F609	RESISTOR, FIXED CARBON FILM	1.5K 1/6W 5 TA52
R295	0RD4701F609	RESISTOR, FIXED CARBON FILM	4.7K 1/6W 5 TA52
R296	0RD1501F609	RESISTOR, FIXED CARBON FILM	1.5K 1/6W 5 TA52
R297	0RD4701F609	RESISTOR, FIXED CARBON FILM	4.7K 1/6W 5 TA52
R299	0RD4701F609	RESISTOR, FIXED CARBON FILM	4.7K 1/6W 5 TA52
R301	0RD1001F609	RESISTOR, FIXED CARBON FILM	1.0K 1/6W 5 TA52
R302	0RD1001F609	RESISTOR, FIXED CARBON FILM	1.0K 1/6W 5 TA52
R303	0RD1001F609	RESISTOR, FIXED CARBON FILM	1.0K 1/6W 5 TA52
R304	0RD1001F609	RESISTOR, FIXED CARBON FILM	1.0K 1/6W 5 TA52
R305	0RD1002F609	RESISTOR, FIXED CARBON FILM	10K 1/6W 5 TA52
R306	0RD1001F609	RESISTOR, FIXED CARBON FILM	1.0K 1/6W 5 TA52
R307	0RD1001F609	RESISTOR, FIXED CARBON FILM	1.0K 1/6W 5 TA52
R308	0RD1001F609	RESISTOR, FIXED CARBON FILM	1.0K 1/6W 5 TA52
R309	0RD1000F609	RESISTOR, FIXED CARBON FILM	100 1/6W 5 TA52
R310	0RD1001F609	RESISTOR, FIXED CARBON FILM	1.0K 1/6W 5 TA52
R311	0RD1001F609	RESISTOR, FIXED CARBON FILM	1.0K 1/6W 5 TA52
R312	0RD1001F609	RESISTOR, FIXED CARBON FILM	1.0K 1/6W 5 TA52
R314	0RD1001F609	RESISTOR, FIXED CARBON FILM	1.0K 1/6W 5 TA52
R316	0RD1002F609	RESISTOR, FIXED CARBON FILM	10K 1/6W 5 TA52
R317	0RD1002F609	RESISTOR, FIXED CARBON FILM	10K 1/6W 5 TA52
R318	0RD1001F609	RESISTOR, FIXED CARBON FILM	1.0K 1/6W 5 TA52
R319	0RD1001F609	RESISTOR, FIXED CARBON FILM	1.0K 1/6W 5 TA52
R320	0RD1002F609	RESISTOR, FIXED CARBON FILM	10K 1/6W 5 TA52
R321	0RD1002F609	RESISTOR, FIXED CARBON FILM	10K 1/6W 5 TA52
R322	0RD1002F609	RESISTOR, FIXED CARBON FILM	10K 1/6W 5 TA52
R323	0RD2700F609	RESISTOR, FIXED CARBON FILM	270 1/6W 5 TA52
R324	0RD2700F609	RESISTOR, FIXED CARBON FILM	270 1/6W 5 TA52
R325	0RD1002F609	RESISTOR, FIXED CARBON FILM	10K 1/6W 5 TA52
R327	0RD2203F609	RESISTOR, FIXED CARBON FILM	220K 1/6W 5 TA52
R328	0RD2700F609	RESISTOR, FIXED CARBON FILM	270 1/6W 5 TA52
R329	0RD1002F609	RESISTOR, FIXED CARBON FILM	10K 1/6W 5 TA52
R330	0RD1002F609	RESISTOR, FIXED CARBON FILM	10K 1/6W 5 TA52
R331	0RD1002F609	RESISTOR, FIXED CARBON FILM	10K 1/6W 5 TA52
R332	0RD2700F609	RESISTOR, FIXED CARBON FILM	270 1/6W 5 TA52
R333	0RD0682F609	RESISTOR, FIXED CARBON FILM	68 1/6W 5 TA52
R334	0RD1001F609	RESISTOR, FIXED CARBON FILM	1.0K 1/6W 5 TA52
R335	0RD2202F609	RESISTOR, FIXED CARBON FILM	22K 1/6W 5 TA52
R336	0RD1200F609	RESISTOR, FIXED CARBON FILM	120 1/6W 5 TA52
R338	0RD2202F609	RESISTOR, FIXED CARBON FILM	22K 1/6W 5 TA52
R339	0RD1001F609	RESISTOR, FIXED CARBON FILM	1.0K 1/6W 5 TA52
R340	0RD1003F609	RESISTOR, FIXED CARBON FILM	100K 1/6W 5 TA52
R341	0RD0682F609	RESISTOR, FIXED CARBON FILM	68 1/6W 5 TA52
R342	0RD1003F609	RESISTOR, FIXED CARBON FILM	100K 1/6W 5 TA52
R343	0RD6801F609	RESISTOR, FIXED CARBON FILM	6.8K 1/6W 5 TA52
R344	0RD6801F609	RESISTOR, FIXED CARBON FILM	6.8K 1/6W 5 TA52

R345	0RD2200F609	RESISTOR, FIXED CARBON FILM	220 1/6W 5 TA52
R351	0RD1001F609	RESISTOR, FIXED CARBON FILM	1.0K 1/6W 5 TA52
R352	0RD1001F609	RESISTOR, FIXED CARBON FILM	1.0K 1/6W 5 TA52
R353	0RD4701F609	RESISTOR, FIXED CARBON FILM	4.7K 1/6W 5 TA52
R354	0RD4701F609	RESISTOR, FIXED CARBON FILM	4.7K 1/6W 5 TA52
R356	0RD4702F609	RESISTOR, FIXED CARBON FILM	47K 1/6W 5 TA52
R357	0RD1002F609	RESISTOR, FIXED CARBON FILM	10K 1/6W 5 TA52
R358	0RN1002F409	RESISTOR, FIX METAL FILM	10K 1/6W 1 TA52
R359	0RN1002F409	RESISTOR, FIX METAL FILM	10K 1/6W 1 TA52
R360	0RN1002F409	RESISTOR, FIX METAL FILM	10K 1/6W 1 TA52
R361	0RD4700F609	RESISTOR, FIXED CARBON FILM	470 1/6W 5 TA52
R362	0RD3303F609	RESISTOR, FIXED CARBON FILM	330K 1/6W 5 TA52
R363	0RD4704F609	RESISTOR, FIXED CARBON FILM	4.7M 1/6W 5 TA52
R364	0RD1002F609	RESISTOR, FIXED CARBON FILM	10K 1/6W 5 TA52
R365	0RD1001F609	RESISTOR, FIXED CARBON FILM	1.0K 1/6W 5 TA52
R367	0RD1800F609	RESISTOR, FIXED CARBON FILM	180 1/6W 5 TA52
R368	0RD1800F609	RESISTOR, FIXED CARBON FILM	180 1/6W 5 TA52
R369	0RD1800F609	RESISTOR, FIXED CARBON FILM	180 1/6W 5 TA52
R370	0RD1502F609	RESISTOR, FIXED CARBON FILM	15K 1/6W 5 TA52
R372	0RD1802F609	RESISTOR, FIXED CARBON FILM	18K 1/6W 5 TA52
R373	0RD4701F609	RESISTOR, FIXED CARBON FILM	4.7K 1/6W 5 TA52
R374	0RD1003F609	RESISTOR, FIXED CARBON FILM	100K 1/6W 5 TA52
R375	0RD4701F609	RESISTOR, FIXED CARBON FILM	4.7K 1/6W 5 TA52
R376	0RD1003F609	RESISTOR, FIXED CARBON FILM	100K 1/6W 5 TA52
R377	0RD1201F609	RESISTOR, FIXED CARBON FILM	1.2K 1/6W 5 TA52
R378	0RD1003F609	RESISTOR, FIXED CARBON FILM	100K 1/6W 5 TA52
R379	0RD3302F609	RESISTOR, FIXED CARBON FILM	33K 1/6W 5 TA52
R380	0RD1001F609	RESISTOR, FIXED CARBON FILM	1.0K 1/6W 5 TA52
R381	0RD1003F609	RESISTOR, FIXED CARBON FILM	100K 1/6W 5 TA52
R382	0RD3301F609	RESISTOR, FIXED CARBON FILM	3.3K 1/6W 5 TA52
R383	0RD1001F609	RESISTOR, FIXED CARBON FILM	1.0K 1/6W 5 TA52
R384	0RD1001F609	RESISTOR, FIXED CARBON FILM	1.0K 1/6W 5 TA52
R385	0RD1001F609	RESISTOR, FIXED CARBON FILM	1.0K 1/6W 5 TA52
R386	0RD1001F609	RESISTOR, FIXED CARBON FILM	1.0K 1/6W 5 TA52
R387	0RD1001F609	RESISTOR, FIXED CARBON FILM	1.0K 1/6W 5 TA52
R388	0RD1001F609	RESISTOR, FIXED CARBON FILM	1.0K 1/6W 5 TA52
R389	0RD1800F609	RESISTOR, FIXED CARBON FILM	180 1/6W 5 TA52
R390	0RD1800F609	RESISTOR, FIXED CARBON FILM	180 1/6W 5 TA52
R395	0RD1003F609	RESISTOR, FIXED CARBON FILM	100K 1/6W 5 TA52
R396	0RD1001F609	RESISTOR, FIXED CARBON FILM	1.0K 1/6W 5 TA52
R397	0RD1001F609	RESISTOR, FIXED CARBON FILM	1.0K 1/6W 5 TA52
R398	0RD4700F609	RESISTOR, FIXED CARBON FILM	470 1/6W 5 TA52
R401	0RD2202F609	RESISTOR, FIXED CARBON FILM	22K 1/6W 5 TA52
R403	0RD2701F609	RESISTOR, FIXED CARBON FILM	2.7K 1/6W 5 TA52
R404	0RD1201F609	RESISTOR, FIXED CARBON FILM	1.2K 1/6W 5 TA52
R405	0RD1003F609	RESISTOR, FIXED CARBON FILM	100K 1/6W 5 TA52
R408	0RD3301F609	RESISTOR, FIXED CARBON FILM	3.3K 1/6W 5 TA52
R409	0RD1002F609	RESISTOR, FIXED CARBON FILM	10K 1/6W 5 TA52
R410	0RD4701F609	RESISTOR, FIXED CARBON FILM	4.7K 1/6W 5 TA52
R411	0RD4701F609	RESISTOR, FIXED CARBON FILM	4.7K 1/6W 5 TA52



R412	0RD2203F609	RESISTOR, FIXED CARBON FILM	220K 1/6W 5 TA52
R413	0RD3303F609	RESISTOR, FIXED CARBON FILM	330K 1/6W 5 TA52
R414	0RD2201F609	RESISTOR, FIXED CARBON FILM	2.2K 1/6W 5 TA52
R416	0RD1003F609	RESISTOR, FIXED CARBON FILM	100K 1/6W 5 TA52
R417	0RD2201F609	RESISTOR, FIXED CARBON FILM	2.2K 1/6W 5 TA52
R418	0RD8201F609	RESISTOR, FIXED CARBON FILM	8.2K 1/6W 5 TA52
R419	0RD3301F609	RESISTOR, FIXED CARBON FILM	3.3K 1/6W 5 TA52
R420	0RD2202F609	RESISTOR, FIXED CARBON FILM	22K 1/6W 5 TA52
R421	0RD2202F609	RESISTOR, FIXED CARBON FILM	22K 1/6W 5 TA52
R422	0RD2201F609	RESISTOR, FIXED CARBON FILM	2.2K 1/6W 5 TA52
R423	0RD4701F609	RESISTOR, FIXED CARBON FILM	4.7K 1/6W 5 TA52
R424	0RD3301F609	RESISTOR, FIXED CARBON FILM	3.3K 1/6W 5 TA52
R425	0RD1001F609	RESISTOR, FIXED CARBON FILM	1.0K 1/6W 5 TA52
R426	0RD3301F609	RESISTOR, FIXED CARBON FILM	3.3K 1/6W 5 TA52
R427	0RD4701F609	RESISTOR, FIXED CARBON FILM	4.7K 1/6W 5 TA52
R428	0RD4701F609	RESISTOR, FIXED CARBON FILM	4.7K 1/6W 5 TA52
R429	0RD4701F609	RESISTOR, FIXED CARBON FILM	4.7K 1/6W 5 TA52
R430	0RD2202F609	RESISTOR, FIXED CARBON FILM	22K 1/6W 5 TA52
R431	0RD2201F609	RESISTOR, FIXED CARBON FILM	2.2K 1/6W 5 TA52
R433	0RD2203F609	RESISTOR, FIXED CARBON FILM	220K 1/6W 5 TA52
R434	0RD1002F609	RESISTOR, FIXED CARBON FILM	10K 1/6W 5 TA52
R435	0RD2203F609	RESISTOR, FIXED CARBON FILM	220K 1/6W 5 TA52
R436	0RD1001F609	RESISTOR, FIXED CARBON FILM	1.0K 1/6W 5 TA52
R437	0RD2203F609	RESISTOR, FIXED CARBON FILM	220K 1/6W 5 TA52
R438	0RD1002F609	RESISTOR, FIXED CARBON FILM	10K 1/6W 5 TA52
R439	0RD1001F609	RESISTOR, FIXED CARBON FILM	1.0K 1/6W 5 TA52
R451	0RD4701F609	RESISTOR, FIXED CARBON FILM	4.7K 1/6W 5 TA52
R453	0RD2701F609	RESISTOR, FIXED CARBON FILM	2.7K 1/6W 5 TA52
R454	0RD1201F609	RESISTOR, FIXED CARBON FILM	1.2K 1/6W 5 TA52
R458	0RD3301F609	RESISTOR, FIXED CARBON FILM	3.3K 1/6W 5 TA52
R459	0RD1002F609	RESISTOR, FIXED CARBON FILM	10K 1/6W 5 TA52
R463	0RD3303F609	RESISTOR, FIXED CARBON FILM	330K 1/6W 5 TA52
R464	0RD1002F609	RESISTOR, FIXED CARBON FILM	10K 1/6W 5 TA52
R467	0RD2201F609	RESISTOR, FIXED CARBON FILM	2.2K 1/6W 5 TA52
R468	0RD8201F609	RESISTOR, FIXED CARBON FILM	8.2K 1/6W 5 TA52
R469	0RD3301F609	RESISTOR, FIXED CARBON FILM	3.3K 1/6W 5 TA52
R470	0RD4701F609	RESISTOR, FIXED CARBON FILM	4.7K 1/6W 5 TA52
R473	0RD1800F609	RESISTOR, FIXED CARBON FILM	180 1/6W 5 TA52
R474	0RD2201F609	RESISTOR, FIXED CARBON FILM	2.2K 1/6W 5 TA52
R475	0RD1002F609	RESISTOR, FIXED CARBON FILM	10K 1/6W 5 TA52
R476	0RD1002F609	RESISTOR, FIXED CARBON FILM	10K 1/6W 5 TA52
R477	0RD2201F609	RESISTOR, FIXED CARBON FILM	2.2K 1/6W 5 TA52
R485	0RD4701F609	RESISTOR, FIXED CARBON FILM	4.7K 1/6W 5 TA52
R486	0RD1002F609	RESISTOR, FIXED CARBON FILM	10K 1/6W 5 TA52
R487	0RD4702F609	RESISTOR, FIXED CARBON FILM	47K 1/6W 5 TA52
R488	0RD4701F609	RESISTOR, FIXED CARBON FILM	4.7K 1/6W 5 TA52
R489	0RD4701F609	RESISTOR, FIXED CARBON FILM	4.7K 1/6W 5 TA52
R490	0RD4702F609	RESISTOR, FIXED CARBON FILM	47K 1/6W 5 TA52
R493	0RD4702F609	RESISTOR, FIXED CARBON FILM	47K 1/6W 5 TA52
R494	0RD4702F609	RESISTOR, FIXED CARBON FILM	47K 1/6W 5 TA52

R495	0RD1501F609	RESISTOR, FIXED CARBON FILM	1.5K 1/6W 5	TA52
R501	0RD6800F609	RESISTOR, FIXED CARBON FILM	680 1/6W 5	TA52
R502	0RD6800F609	RESISTOR, FIXED CARBON FILM	680 1/6W 5	TA52
R503	0RD8200F609	RESISTOR, FIXED CARBON FILM	820 1/6W 5	TA52
R504	0RD1201F609	RESISTOR, FIXED CARBON FILM	1.2K 1/6W 5	TA52
R505	0RD1501F609	RESISTOR, FIXED CARBON FILM	1.5K 1/6W 5	TA52
R506	0RD1801F609	RESISTOR, FIXED CARBON FILM	1.8K 1/6W 5	TA52
R507	0RD2701F609	RESISTOR, FIXED CARBON FILM	2.7K 1/6W 5	TA52
R508	0RD3301F609	RESISTOR, FIXED CARBON FILM	3.3K 1/6W 5	TA52
R509	0RD4701F609	RESISTOR, FIXED CARBON FILM	4.7K 1/6W 5	TA52
R510	0RD6801F609	RESISTOR, FIXED CARBON FILM	6.8K 1/6W 5	TA52
R511	0RD1002F609	RESISTOR, FIXED CARBON FILM	10K 1/6W 5	TA52
R512	0RD3302F609	RESISTOR, FIXED CARBON FILM	33K 1/6W 5	TA52
R513	0RD3302F609	RESISTOR, FIXED CARBON FILM	33K 1/6W 5	TA52
R514	0RD6800F609	RESISTOR, FIXED CARBON FILM	680 1/6W 5	TA52
R515	0RD6800F609	RESISTOR, FIXED CARBON FILM	680 1/6W 5	TA52
R516	0RD8200F609	RESISTOR, FIXED CARBON FILM	820 1/6W 5	TA52
R517	0RD1201F609	RESISTOR, FIXED CARBON FILM	1.2K 1/6W 5	TA52
R518	0RD1501F609	RESISTOR, FIXED CARBON FILM	1.5K 1/6W 5	TA52
R519	0RD1801F609	RESISTOR, FIXED CARBON FILM	1.8K 1/6W 5	TA52
R520	0RD2701F609	RESISTOR, FIXED CARBON FILM	2.7K 1/6W 5	TA52
R521	0RD3301F609	RESISTOR, FIXED CARBON FILM	3.3K 1/6W 5	TA52
R522	0RD4701F609	RESISTOR, FIXED CARBON FILM	4.7K 1/6W 5	TA52
R523	0RD6801F609	RESISTOR, FIXED CARBON FILM	6.8K 1/6W 5	TA52
R524	0RD1002F609	RESISTOR, FIXED CARBON FILM	10K 1/6W 5	TA52
R525	0RD6800F609	RESISTOR, FIXED CARBON FILM	680 1/6W 5	TA52
R526	0RD6800F609	RESISTOR, FIXED CARBON FILM	680 1/6W 5	TA52
R527	0RD8200F609	RESISTOR, FIXED CARBON FILM	820 1/6W 5	TA52
R528	0RD1201F609	RESISTOR, FIXED CARBON FILM	1.2K 1/6W 5	TA52
R529	0RD1501F609	RESISTOR, FIXED CARBON FILM	1.5K 1/6W 5	TA52
R530	0RD1801F609	RESISTOR, FIXED CARBON FILM	1.8K 1/6W 5	TA52
R538	0RD2701F609	RESISTOR, FIXED CARBON FILM	2.7K 1/6W 5	TA52
R539	0RD3301F609	RESISTOR, FIXED CARBON FILM	3.3K 1/6W 5	TA52
R541	0RD4701F609	RESISTOR, FIXED CARBON FILM	4.7K 1/6W 5	TA52
R542	0RD6801F609	RESISTOR, FIXED CARBON FILM	6.8K 1/6W 5	TA52
R543	0RD3302F609	RESISTOR, FIXED CARBON FILM	33K 1/6W 5	TA52
R544	0RD1200F609	RESISTOR, FIXED CARBON FILM	120 1/6W 5	TA52
R545	0RD1200F609	RESISTOR, FIXED CARBON FILM	120 1/6W 5	TA52
R546	0RD1200F609	RESISTOR, FIXED CARBON FILM	120 1/6W 5	TA52
R547	0RD1200F609	RESISTOR, FIXED CARBON FILM	120 1/6W 5	TA52
R548	0RD1200F609	RESISTOR, FIXED CARBON FILM	120 1/6W 5	TA52
R555	0RD1001F609	RESISTOR, FIXED CARBON FILM	1.0K 1/6W 5	TA52
R556	0RD1002F609	RESISTOR, FIXED CARBON FILM	10K 1/6W 5	TA52
R665	0RD4702F609	RESISTOR, FIXED CARBON FILM	47K 1/6W 5	TA52
R666	0RD1502F609	RESISTOR, FIXED CARBON FILM	15K 1/6W 5	TA52
R667	0RD1002F609	RESISTOR, FIXED CARBON FILM	10K 1/6W 5	TA52
R668	0RD0102F609	RESISTOR, FIXED CARBON FILM	10 1/6W 5	TA52
R701	0RD1001F609	RESISTOR, FIXED CARBON FILM	1.0K 1/6W 5	TA52
R702	0RD1003F609	RESISTOR, FIXED CARBON FILM	100K 1/6W 5	TA52
R703	0RD5602F609	RESISTOR, FIXED CARBON FILM	56K 1/6W 5	TA52

R705	0RD2700F609	RESISTOR, FIXED CARBON FILM	270 1/6W 5 TA52
R706	0RD5602F609	RESISTOR, FIXED CARBON FILM	56K 1/6W 5 TA52
R708	0RD3301F609	RESISTOR, FIXED CARBON FILM	3.3K 1/6W 5 TA52
R709	0RN4700J634	RESISTOR FIX METAL FILM	470 1W 5 MF15
R711	0RM0150N764	RESISTOR, CEMENT	0.15 OHM 5 W 10% B RSR
R712	0RD1001F609	RESISTOR, FIXED CARBON FILM	1.0K 1/6W 5 TA52
R713	0RD5601F609	RESISTOR, FIXED CARBON FILM	5.6K 1/6W 5 TA52
R714	0RD1501F609	RESISTOR, FIXED CARBON FILM	1.5K 1/6W 5 TA52
R715	0RD1501F609	RESISTOR, FIXED CARBON FILM	1.5K 1/6W 5 TA52
R716	0RD3302F609	RESISTOR, FIXED CARBON FILM	33K 1/6W 5 TA52
R717	0RD3302F609	RESISTOR, FIXED CARBON FILM	33K 1/6W 5 TA52
R718	0RD4702F609	RESISTOR, FIXED CARBON FILM	47K 1/6W 5 TA52
R720	0RD0102F609	RESISTOR, FIXED CARBON FILM	10 1/6W 5 TA52
R721	0RD0102F609	RESISTOR, FIXED CARBON FILM	10 1/6W 5 TA52
R722	0RD2203F609	RESISTOR, FIXED CARBON FILM	220K 1/6W 5 TA52
R723	0RD2203F609	RESISTOR, FIXED CARBON FILM	220K 1/6W 5 TA52
R725	0RD3302F609	RESISTOR, FIXED CARBON FILM	33K 1/6W 5 TA52
R735	0RD1501F609	RESISTOR, FIXED CARBON FILM	1.5K 1/6W 5 TA52
R736	0RD0222F609	RESISTOR, FIXED CARBON FILM	22 1/6W 5 TA52
R739	0RS3300K665	RESISTOR, FIX METAL FILM OXIDE	330 2W 5 SF20
R740	0RD1502F609	RESISTOR, FIXED CARBON FILM	15K 1/6W 5 TA52
R741	0RD1502F609	RESISTOR, FIXED CARBON FILM	15K 1/6W 5 TA52
R742	0RD1002F609	RESISTOR, FIXED CARBON FILM	10K 1/6W 5 TA52
R743	0RD5601F609	RESISTOR, FIXED CARBON FILM	5.6K 1/6W 5 TA52
R744	0RD4702F609	RESISTOR, FIXED CARBON FILM	47K 1/6W 5 TA52
R745	0RD5600F609	RESISTOR, FIXED CARBON FILM	560 1/6W 5 TA52
R746	0RD4701F609	RESISTOR, FIXED CARBON FILM	4.7K 1/6W 5 TA52
R747	0RD4701F609	RESISTOR, FIXED CARBON FILM	4.7K 1/6W 5 TA52
R751	0RD1001F609	RESISTOR, FIXED CARBON FILM	1.0K 1/6W 5 TA52
R752	0RD1003F609	RESISTOR, FIXED CARBON FILM	100K 1/6W 5 TA52
R753	0RD5602F609	RESISTOR, FIXED CARBON FILM	56K 1/6W 5 TA52
R755	0RD2700F609	RESISTOR, FIXED CARBON FILM	270 1/6W 5 TA52
R756	0RD5602F609	RESISTOR, FIXED CARBON FILM	56K 1/6W 5 TA52
R758	0RD3301F609	RESISTOR, FIXED CARBON FILM	3.3K 1/6W 5 TA52
R759	0RN4700J634	RESISTOR FIX METAL FILM	470 1W 5 MF15
R761	0RM0150N764	RESISTOR, CEMENT	0.15 OHM 5 W 10% B RSR
R762	0RD1001F609	RESISTOR, FIXED CARBON FILM	1.0K 1/6W 5 TA52
R763	0RD5601F609	RESISTOR, FIXED CARBON FILM	5.6K 1/6W 5 TA52
R764	0RD1501F609	RESISTOR, FIXED CARBON FILM	1.5K 1/6W 5 TA52
R765	0RD1501F609	RESISTOR, FIXED CARBON FILM	1.5K 1/6W 5 TA52
R766	0RD3302F609	RESISTOR, FIXED CARBON FILM	33K 1/6W 5 TA52
R770	0RD0102F609	RESISTOR, FIXED CARBON FILM	10 1/6W 5 TA52
R771	0RD0102F609	RESISTOR, FIXED CARBON FILM	10 1/6W 5 TA52
R772	0RD3302F609	RESISTOR, FIXED CARBON FILM	33K 1/6W 5 TA52
R773	0RD4702F609	RESISTOR, FIXED CARBON FILM	47K 1/6W 5 TA52
R789	0RS3300K665	RESISTOR, FIX METAL FILM OXIDE	330 2W 5 SF20
R801	0RD0222F609	RESISTOR, FIXED CARBON FILM	22 1/6W 5 TA52
R802	0RD6802F609	RESISTOR, FIXED CARBON FILM	68K 1/6W 5 TA52
R803	0RD6802F609	RESISTOR, FIXED CARBON FILM	68K 1/6W 5 TA52
R804	0RD8202F609	RESISTOR, FIXED CARBON FILM	82K 1/6W 5 TA52

R805	0RD6802F609	RESISTOR, FIXED CARBON FILM	68K 1/6W 5 TA52
R806	0RD6802F609	RESISTOR, FIXED CARBON FILM	68K 1/6W 5 TA52
R807	0RD8202F609	RESISTOR, FIXED CARBON FILM	82K 1/6W 5 TA52
R808	0RD1502F609	RESISTOR, FIXED CARBON FILM	15K 1/6W 5 TA52
R809	0RD1202F609	RESISTOR, FIXED CARBON FILM	12K 1/6W 5 TA52
R812	0RD2204F609	RESISTOR, FIXED CARBON FILM	2.2M 1/6W 5 TA52
R813	0RD4703F609	RESISTOR, FIXED CARBON FILM	470K 1/6W 5 TA52
R814	0RD1803F609	RESISTOR, FIXED CARBON FILM	180K 1/6W 5 TA52
R820	0RD1502F609	RESISTOR, FIXED CARBON FILM	15K 1/6W 5 TA52
R821	0RD1802F609	RESISTOR, FIXED CARBON FILM	18K 1/6W 5 TA52
R822	0RD1503F609	RESISTOR, FIXED CARBON FILM	150K 1/6W 5 TA52
R823	0RD1003F609	RESISTOR, FIXED CARBON FILM	100K 1/6W 5 TA52
R824	0RD1001F609	RESISTOR, FIXED CARBON FILM	1.0K 1/6W 5 TA52
R825	0RD1503F609	RESISTOR, FIXED CARBON FILM	150K 1/6W 5 TA52
R827	0RD5602F609	RESISTOR, FIXED CARBON FILM	56K 1/6W 5 TA52
R828	0RD1003F609	RESISTOR, FIXED CARBON FILM	100K 1/6W 5 TA52
R829	0RD4702F609	RESISTOR, FIXED CARBON FILM	47K 1/6W 5 TA52
R830	0RD1503F609	RESISTOR, FIXED CARBON FILM	150K 1/6W 5 TA52
R831	0RD1502F609	RESISTOR, FIXED CARBON FILM	15K 1/6W 5 TA52
R832	0RD4702F609	RESISTOR, FIXED CARBON FILM	47K 1/6W 5 TA52
R833	0RD8202F609	RESISTOR, FIXED CARBON FILM	82K 1/6W 5 TA52
R834	0RD1002F609	RESISTOR, FIXED CARBON FILM	10K 1/6W 5 TA52
R835	0RD1002F609	RESISTOR, FIXED CARBON FILM	10K 1/6W 5 TA52
R836	0RD1002F609	RESISTOR, FIXED CARBON FILM	10K 1/6W 5 TA52
R837	0RD8201F609	RESISTOR, FIXED CARBON FILM	8.2K 1/6W 5 TA52
R840	0RD1503F609	RESISTOR, FIXED CARBON FILM	150K 1/6W 5 TA52
R841	0RD1002F609	RESISTOR, FIXED CARBON FILM	10K 1/6W 5 TA52
R842	0RD1003F609	RESISTOR, FIXED CARBON FILM	100K 1/6W 5 TA52
R843	0RD1004F609	RESISTOR, FIXED CARBON FILM	1.0M 1/6W 5 TA52
R844	0RD8201F609	RESISTOR, FIXED CARBON FILM	8.2K 1/6W 5 TA52
R845	0RD3301F609	RESISTOR, FIXED CARBON FILM	3.3K 1/6W 5 TA52
R846	0RD2702F609	RESISTOR, FIXED CARBON FILM	27K 1/6W 5 TA52
R847	0RD3301F609	RESISTOR, FIXED CARBON FILM	3.3K 1/6W 5 TA52
R848	0RD0182F609	RESISTOR, FIXED CARBON FILM	18 1/6W 5 TA52
R849	0RD5601F609	RESISTOR, FIXED CARBON FILM	5.6K 1/6W 5 TA52
R850	0RD1001F609	RESISTOR, FIXED CARBON FILM	1.0K 1/6W 5 TA52
R851	0RD1001F609	RESISTOR, FIXED CARBON FILM	1.0K 1/6W 5 TA52
R852	0RD1001F609	RESISTOR, FIXED CARBON FILM	1.0K 1/6W 5 TA52
R853	0RD1001F609	RESISTOR, FIXED CARBON FILM	1.0K 1/6W 5 TA52
R854	0RD1001F609	RESISTOR, FIXED CARBON FILM	1.0K 1/6W 5 TA52
R855	0RD1001F609	RESISTOR, FIXED CARBON FILM	1.0K 1/6W 5 TA52
R856	0RD1001F609	RESISTOR, FIXED CARBON FILM	1.0K 1/6W 5 TA52
R857	0RD1001F609	RESISTOR, FIXED CARBON FILM	1.0K 1/6W 5 TA52
R858	0RD1001F609	RESISTOR, FIXED CARBON FILM	1.0K 1/6W 5 TA52
R859	0RD1001F609	RESISTOR, FIXED CARBON FILM	1.0K 1/6W 5 TA52
R863	0RD1000F609	RESISTOR, FIXED CARBON FILM	100 1/6W 5 TA52
R864	0RD1000F609	RESISTOR, FIXED CARBON FILM	100 1/6W 5 TA52
R865	0RD2200F609	RESISTOR, FIXED CARBON FILM	220 1/6W 5 TA52
R866	0RD6802F609	RESISTOR, FIXED CARBON FILM	68K 1/6W 5 TA52
R867	0RD8201F609	RESISTOR, FIXED CARBON FILM	8.2K 1/6W 5 TA52

R868	0RD3902F609	RESISTOR, FIXED CARBON FILM	39K 1/6W 5 TA52
R869	0RD4702F609	RESISTOR, FIXED CARBON FILM	47K 1/6W 5 TA52
R870	0RD1002F609	RESISTOR, FIXED CARBON FILM	10K 1/6W 5 TA52
R871	0RD8201F609	RESISTOR, FIXED CARBON FILM	8.2K 1/6W 5 TA52
R872	0RD1002F609	RESISTOR, FIXED CARBON FILM	10K 1/6W 5 TA52
R873	0RD1802F609	RESISTOR, FIXED CARBON FILM	18K 1/6W 5 TA52
R874	0RD8201F609	RESISTOR, FIXED CARBON FILM	8.2K 1/6W 5 TA52
R875	0RD1802F609	RESISTOR, FIXED CARBON FILM	18K 1/6W 5 TA52
R876	0RD8201F609	RESISTOR, FIXED CARBON FILM	8.2K 1/6W 5 TA52
R877	0RD1001F609	RESISTOR, FIXED CARBON FILM	1.0K 1/6W 5 TA52
R878	0RD1001F609	RESISTOR, FIXED CARBON FILM	1.0K 1/6W 5 TA52
R880	0RD2702F609	RESISTOR, FIXED CARBON FILM	27K 1/6W 5 TA52
R881	0RD2702F609	RESISTOR, FIXED CARBON FILM	27K 1/6W 5 TA52
R882	0RD5601F609	RESISTOR, FIXED CARBON FILM	5.6K 1/6W 5 TA52
R883	0RD5601F609	RESISTOR, FIXED CARBON FILM	5.6K 1/6W 5 TA52
R884	0RD5601F609	RESISTOR, FIXED CARBON FILM	5.6K 1/6W 5 TA52
R885	0RD1003F609	RESISTOR, FIXED CARBON FILM	100K 1/6W 5 TA52
R890	0RD2702F609	RESISTOR, FIXED CARBON FILM	27K 1/6W 5 TA52
R891	0RD2702F609	RESISTOR, FIXED CARBON FILM	27K 1/6W 5 TA52
R892	0RD5601F609	RESISTOR, FIXED CARBON FILM	5.6K 1/6W 5 TA52
R893	0RD5601F609	RESISTOR, FIXED CARBON FILM	5.6K 1/6W 5 TA52
R894	0RD5601F609	RESISTOR, FIXED CARBON FILM	5.6K 1/6W 5 TA52
R895	0RD1003F609	RESISTOR, FIXED CARBON FILM	100K 1/6W 5 TA52
RM301	0IRH693840A	IC, ROHM	RPM6938-V4 3P BK REMOCON MODUL
RY601	6920SC0001A	RELAY	0MI-SS-212LM ORIGINAL 12V 0.044
SW501	6600S-TV02A	SWITCH, TACT	SQAN-130 J-ALPS NON 12V 0.5A V
SW502	6600S-TV02A	SWITCH, TACT	SQAN-130 J-ALPS NON 12V 0.5A V
SW503	6600S-TV02A	SWITCH, TACT	SQAN-130 J-ALPS NON 12V 0.5A V
SW504	6600S-TV02A	SWITCH, TACT	SQAN-130 J-ALPS NON 12V 0.5A V
SW505	6600S-TV02A	SWITCH, TACT	SQAN-130 J-ALPS NON 12V 0.5A V
SW506	6600S-TV02A	SWITCH, TACT	SQAN-130 J-ALPS NON 12V 0.5A V
SW507	6600S-TV02A	SWITCH, TACT	SQAN-130 J-ALPS NON 12V 0.5A V
SW508	6600S-TV02A	SWITCH, TACT	SQAN-130 J-ALPS NON 12V 0.5A V
SW509	6600S-TV02A	SWITCH, TACT	SQAN-130 J-ALPS NON 12V 0.5A V
SW510	6600S-TV02A	SWITCH, TACT	SQAN-130 J-ALPS NON 12V 0.5A V
SW511	6600S-TV02A	SWITCH, TACT	SQAN-130 J-ALPS NON 12V 0.5A V
SW512	6600S-TV02A	SWITCH, TACT	SQAN-130 J-ALPS NON 12V 0.5A V
SW513	6600S-TV02A	SWITCH, TACT	SQAN-130 J-ALPS NON 12V 0.5A V
SW514	6600S-TV02A	SWITCH, TACT	SQAN-130 J-ALPS NON 12V 0.5A V
SW515	6600S-TV02A	SWITCH, TACT	SQAN-130 J-ALPS NON 12V 0.5A V
SW516	6600S-TV02A	SWITCH, TACT	SQAN-130 J-ALPS NON 12V 0.5A V
SW517	6600S-TV02A	SWITCH, TACT	SQAN-130 J-ALPS NON 12V 0.5A V
SW518	6600S-TV02A	SWITCH, TACT	SQAN-130 J-ALPS NON 12V 0.5A V
SW519	6600S-TV02A	SWITCH, TACT	SQAN-130 J-ALPS NON 12V 0.5A V
SW520	6600S-TV02A	SWITCH, TACT	SQAN-130 J-ALPS NON 12V 0.5A V
SW521	6600S-TV02A	SWITCH, TACT	SQAN-130 J-ALPS NON 12V 0.5A V
SW522	6600S-TV02A	SWITCH, TACT	SQAN-130 J-ALPS NON 12V 0.5A V
SW523	6600S-TV02A	SWITCH, TACT	SQAN-130 J-ALPS NON 12V 0.5A V
SW524	6600S-TV02A	SWITCH, TACT	SQAN-130 J-ALPS NON 12V 0.5A V
SW525	6600S-TV02A	SWITCH, TACT	SQAN-130 J-ALPS NON 12V 0.5A V

SW526	6600S-TV02A	SWITCH,TACT	SQAN-130 J-ALPS NON 12V 0.5A V
SW527	6600S-TV02A	SWITCH,TACT	SQAN-130 J-ALPS NON 12V 0.5A V
SW528	6600S-TV02A	SWITCH,TACT	SQAN-130 J-ALPS NON 12V 0.5A V
SW529	6600S-TV02A	SWITCH,TACT	SQAN-130 J-ALPS NON 12V 0.5A V
SW530	6600S-TV02A	SWITCH,TACT	SQAN-130 J-ALPS NON 12V 0.5A V
SW531	6600S-TV02A	SWITCH,TACT	SQAN-130 J-ALPS NON 12V 0.5A V
SW532	6600S-TV02A	SWITCH,TACT	SQAN-130 J-ALPS NON 12V 0.5A V
SW534	6600S-TV02A	SWITCH,TACT	SQAN-130 J-ALPS NON 12V 0.5A V
SW535	6600S-TV02A	SWITCH,TACT	SQAN-130 J-ALPS NON 12V 0.5A V
SW536	6600S-TV02A	SWITCH,TACT	SQAN-130 J-ALPS NON 12V 0.5A V
SW537	6600S-TV02A	SWITCH,TACT	SQAN-130 J-ALPS NON 12V 0.5A V
SW538	6600S-TV02A	SWITCH,TACT	SQAN-130 J-ALPS NON 12V 0.5A V
SW540	6600S-TV02A	SWITCH,TACT	SQAN-130 J-ALPS NON 12V 0.5A V
TP801	561-716C	CONNECTOR	WAFER,G/S GIL-G-03P-S3L2-E (S)
TRAY	88H-0004	CD MECHA PARTS	3X12X12FNM KST-F404VA-2 KWANGSUNG FM 4GAN
TUN101	6700SCF001B	TUNER VARIABLE RESISTOR,CARBON	
VR201	0RV1472D230	FILM	4.7K 6 ST P3 L2.5 5
VR301	6110S-ET01A	VOLUME,ROTARY	EC16B242040M J-ALPS D=16 V 24
VR302	6110S-ET01A	VOLUME,ROTARY	EC16B242040M J-ALPS D=16 V 24
VR380	6110S-RT01A	VOLUME,ROTARY	RK14K1240 J-ALPS D=14 V 100KBX
X104	617T602D	CRYSTAL	7.2MHZ
X301	616-020PAAA	RESONATOR,CERAMIC	CSA6.00MGU MURATA 6MHZ BK
X302	617-602F	CRYSTAL	32.768KHZ KYOCERA (S)
X801	616-020X	FILTER CERAMIC	CSA16.93MX040,MURATA
ZD302	0DZ750009AE	DIODE,ZENER	GDZJ7.5C TP GRANDE DO-34 500MW
ZD701	0DZ510009AH	DIODE,ZENER	GDZJ5.1B TP GRANDE DO-34 500MW
ZD701	0DZ510009AH	DIODE,ZENER	GDZJ5.1B TP GRANDE DO-34 500MW
ZD702	0DZ330009AR	DIODE,ZENER	GDZJ33D TP GRANDE DO-34 500MW
ZD702	0DZ330009AR	DIODE,ZENER	GDZJ33D TP GRANDE DO-34 500MW
ZD707	0DZ130009AK	DIODE,ZENER	GDZJ13C TP GRANDE DO34 500MW 1
ZD708	0DZ510009AH	DIODE,ZENER	GDZJ5.1B TP GRANDE DO-34 500MW
ZD708	0DZ510009AH	DIODE,ZENER	GDZJ5.1B TP GRANDE DO-34 500MW
ZD758	0DZ510009AH	DIODE,ZENER	GDZJ5.1B TP GRANDE DO-34 500MW
ZD758	0DZ510009AH	DIODE,ZENER	GDZJ5.1B TP GRANDE DO-34 500MW
ZD801	0DZ390009AC	DIODE,ZENER	GDZJ3.9B TP GRANDE DO-34 500MW
ZD803	0DZ510009AH	DIODE,ZENER	GDZJ5.1B TP GRANDE DO-34 500MW
ZD803	0DZ510009AH	DIODE,ZENER	GDZJ5.1B TP GRANDE DO-34 500MW
ZD804	0DZ470009AD	DIODE,ZENER	GDZJ4.7B TP GRANDE DO34 500MW
_____	0FT4001B513	FUSE TIME LAG	4.0A 250V 5.2X20 G SMK
_____	0FT6301B513	FUSE TIME LAG	6.3A 250V 5.2X20 G SMK
_____		BRAIZER HEAD TA SCREW + 2	
_____	1TRL0402418	CUT	D 4.0 L 8.0 MSWR3/FZY
_____	246-444K	DECORATION	PLATE FFHKL588V SILVER
_____	255-717A	HEAT SINK	DIODE(GSA-PA10/FA-5000)
_____	265-024AAAA	FOOT	ABS(BK)19.7 H=7 F-1000/59
_____	3090SCC003C	CABINET	CABINET TOP(F-66/GREY)
_____	3090SCC004B	CABINET	SIDE(FFH-66/GREY)
_____	3140SCC059B	CHASSIS	MAIN CHASSIS(FFH-66)
_____	324-620A	HOLDER	CORD HEYCO SR-5N-4 HPD

_____	353-022K	SCREW	* TAPTITE 2X3 FZMY BINDING
_____	353-022M	SCREW	TAPTITE 3X6 FZMY PAN S-TYPE
_____	353-025G	SCREW	TAPTITE 3X10 FZMY
_____	353-025HAAA	SCREW	TAPTITE 3X16 FZMY
_____	353-070C	SCREW	* TAPPING,WASHER 4X12 FBK
_____	3550SCM014A	COVER	FRONT (FFH-8800)
_____	3580SCA344A	DOOR	CST-L (FFH-8800)
_____	3580SCA345A	DOOR	CST-R (FFH-8800)
_____	3580SCC877A	DOOR	CD (FFH-8800)
_____	3680SCM001A	LENS	CD (N1V/N2V)
_____	3680SCM007A	LENS	FUNCTION (FFH-8800)
_____	3680SCM008A	LENS	PLAY (FFH-8800)
_____	3680SCM009A	LENS	JOG (FFH-8800)
_____	3720SCM035A	PANEL,FRONT	FRONT (FFH-8800)
_____	3790SCM023E	WINDOW	CST L(FFH-8800)PLAYBACK
_____	3790SCM023F	WINDOW	CST R(FFH-8800)A/RVS
_____	3790SCM054A	WINDOW	AMP (FFH-8800)
_____	3790SCM055A	WINDOW	CD (FFH-8800/5500) HOOK BADGE(
_____	384-535A	GUIDE	EJECT AY(FK-535 BD1)DUAL
_____	3846SC0002B	MARK	LG BADGE SILVER (HOOK TYPE)
_____	3846SC0003B	MARK	LG BADGE SILVER (SPK)
_____	3890RCA010B	BOX	FFH-8800A LGEMK DW2
_____	4405SCE002A	MECHANISM ASSY	3 DISC(CDM-H1303)
_____	442-085D	SPRING	SPRING (MINI10 BG1)
_____	442-577B	SPRING	SPRING CST-PACK(H=7.5)
_____	4810S-0257A	BRACKET	HEATSINK-L
_____	4810S-0257B	BRACKET	HEATSINK-R
_____	4810S-0901A	BRACKET	IC(FM-95M)
_____	4901SK0001C	DAMPER ASSY	GEAR DAMPER AY(WH+WH;G331)
_____	4920SCS001B	HEAT SINK,MAIN(POWER)	AL SK 180X70 F-8800
_____	4930SCM007A	HOLDER	FIP(N1V/N2V)
_____	4940S-1401G	KNOB	LIGHTING(FFH-8800)MILKY
_____	4940S-6770A	KNOB	ROTARY MIC VR (FL-R335V)
_____	4940SC0044A	KNOB	VOLUME(FFH-66/69)
_____	4940SCM058A	KNOB	MAIN (FFH-8800)
_____	4940SCM059A	KNOB	DISC (FFH-8800)
_____	4940SCM060A	KNOB	POWER (FFH-8800)
_____	4940SCM061A	KNOB	JOG VOL (FFH-8800)
_____	562-050Q	LUG	LUG L=80
_____	563-648D	CONNECTOR ASSY	ECTOR AY 150 CODE A UL
_____	563-655A	CONNECTOR ASSY	COAX, 300MM
_____	563-801D	CONNECTOR ASSY	C,AY GSIL-S06X2 157/#28 250(S)
_____	563-935E	CONNECTOR ASSY	C,AY GS IL-G03X2 (I) 250
_____	632N218E	COIL,ANTENNA	AM LOOP LGEHZ LOCAL (=218E)
_____	6631SCF004A	CONNECTOR ASSY	P=2.54 IL-G06/G08 (G,I) 340
_____	6710SC1C00A	REMOTE CONTROLLER	NEW34KEY DONGDO FFHK8800 LG
_____	6730S-G004B	DECK MECHANISM	GR
_____	6768S-AP02A	DECK MECHANISM PARTS	CWL44FR-02 PIGEON L-DOUBLE A/R
_____	6768S-AP02B	DECK MECHANISM PARTS	50-268-3016 ARM PIGEON TRIGGER
_____	6768S-AP02C	DECK MECHANISM PARTS	50-239-4026 ARM PIGEON CS
_____			50-239-4027 ARM PIGEON SW

_____	6768S-BP04A	DECK MECHANISM PARTS	02-083-4165 BELT/FELT PIGEON B
_____	6768S-BP04B	DECK MECHANISM PARTS	02-083-4166 BELT/FELT PIGEON A
_____	6768S-BP04C	DECK MECHANISM PARTS	02-084-4161 BELT/FELT PIGEON B
_____	6768S-BP04D	DECK MECHANISM PARTS	02-084-4163 BELT/FELT PIGEON A
_____	6768S-EP01A	DECK MECHANISM PARTS	50-093-4070 HEAD ASSY PIGEON
_____	6768S-GP02A	DECK MECHANISM PARTS	50-093-4069 GEAR PIGEON CLUTCH
_____	6768S-HP03A	DECK MECHANISM PARTS	TC881CB067B HEAD PIGEON PB HEA
_____	6768S-MP02A	DECK MECHANISM PARTS	50-219-4028 MOLD PIGEON SW BOX
_____	6768S-OP01A	DECK MECHANISM PARTS	50-093-4198 MOTOR ASSY PIGEON
_____	6768S-SP02A	DECK MECHANISM PARTS	01-082-4646 SPRING PIGEON LEAF
			MSW17220MVQO SWITCH PIGEON
_____	6768S-TP01B	DECK MECHANISM PARTS	MOD
_____	6768S-VP01A	DECK MECHANISM PARTS	50-093-4125 SOLENOID PIGEON
_____	6768S-XP01B	DECK MECHANISM PARTS	SG211V SPECIAL PIGEON PHOTO IN
_____	681N004F	CORD POWER	HKE-1,H03VVH2-F,1.75M,HITACHI
_____	6850SCHQ24A	CABLE,FLAT	P=1.25 FFC UL2896 17 240 A TYP
_____	6850SCHT24A	CABLE,FLAT	P=1.25 FFC UL2896 20 240 A TYP
_____	6871S-38KAB	PWB(PCB) ASSY,TOTAL	3CD MAIN (S/S IC ,SONY P/UP)
_____	6871S-40KAK	PWB(PCB) ASSY,TOTAL	FFH-8800 MAIN+POWER
_____	6871S-40MAH	PWB(PCB) ASSY,TOTAL	FFH-8800 FRONT+CD KEY
_____	6871SA40KAJ	PWB(PCB) ASSY,AMP	FFH-8800 MAIN
_____	6871SA40KAJ	PWB(PCB) ASSY,AMP	FFH-8800 MAIN
_____	6871SF40MAH	PWB(PCB) ASSY,FRONT	FFH-8800 FRONT
_____	6871SK40MAC	PWB(PCB) ASSY,KEY	FFH-8800 CD KEY
_____	6871SP40KAC	PWB(PCB) ASSY,POWER	FFHK8800 220V POWER
_____	841N0015	BATTERY	AAAM R03G NO MERCURY (=0012)
_____	88H-0008	CD MECHA PARTS	(LEN315FL)
_____	951-001A	DECK AND OTHER PARTS	DRY CARAT (3G)
_____	L82+C12S	LEAD SET	120 S/G
_____	L82+H12S	LEAD SET	FLAT UL2877#26-08 120 S/G-G
_____	L82+J30S	LEAD SET	FLAT UL2878#26-10 300 S/G-G
_____	L82+J40S	LEAD SET	P=2.0 UL2877#26 SA-SC 10 400 S