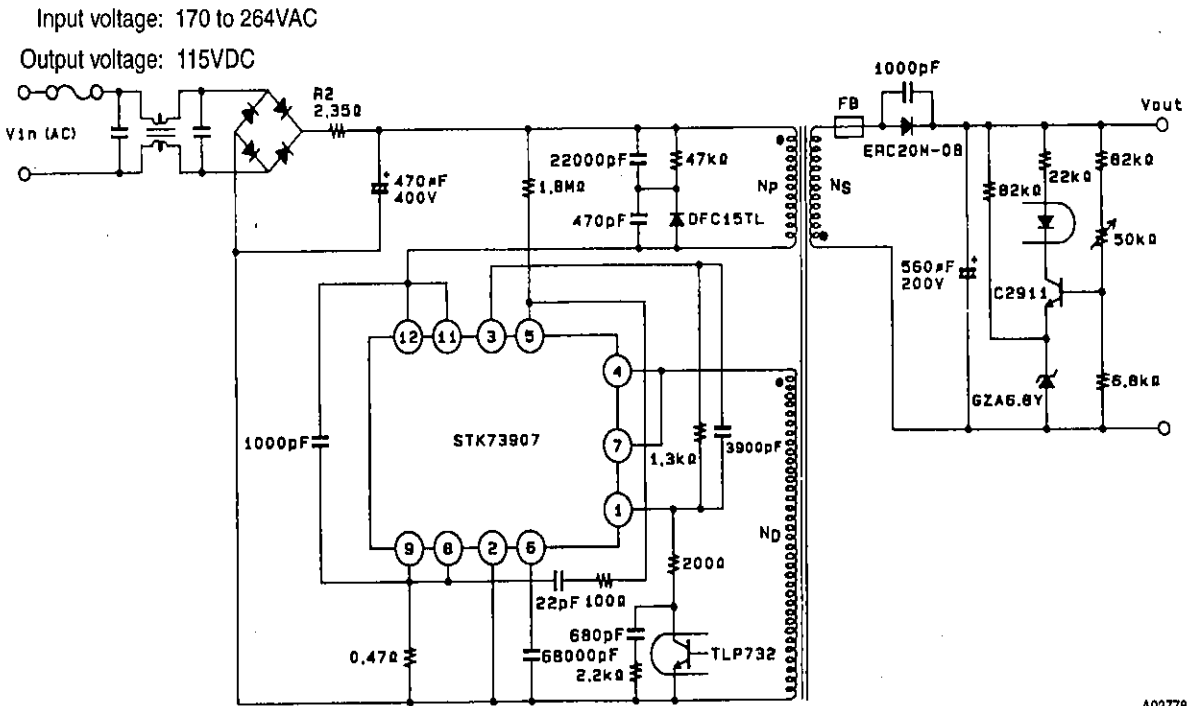
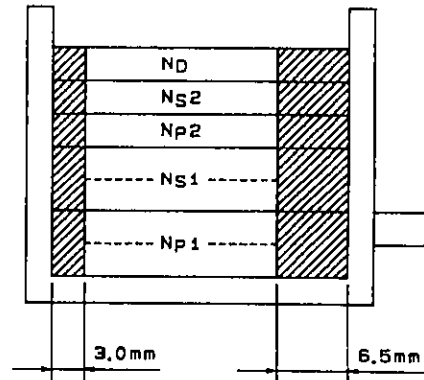
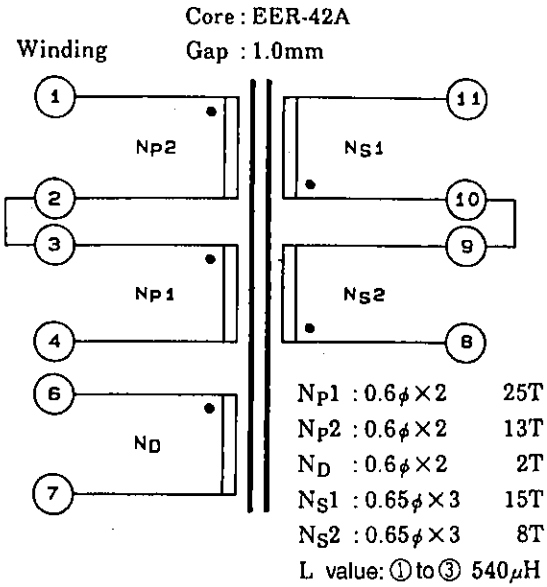


Sample Application Circuit (200V System)

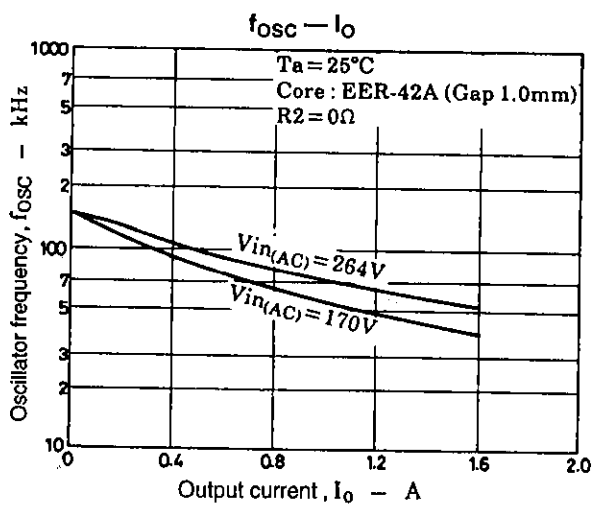
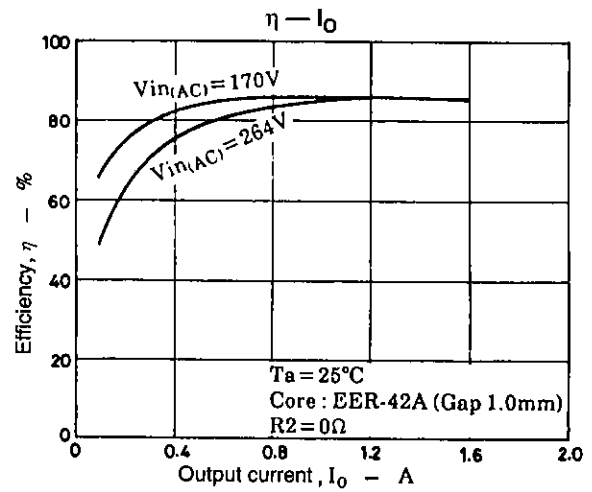
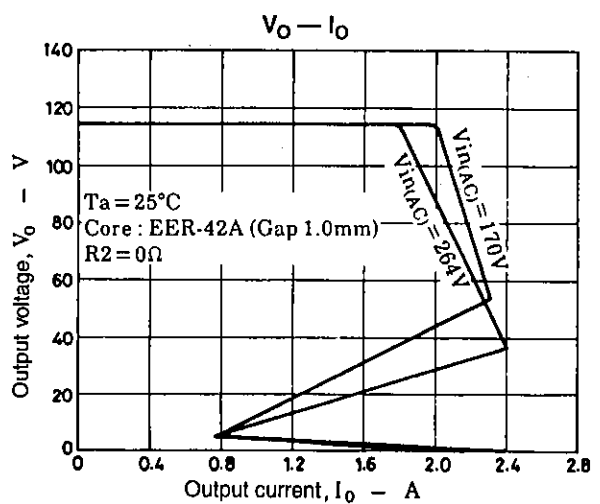


A02778

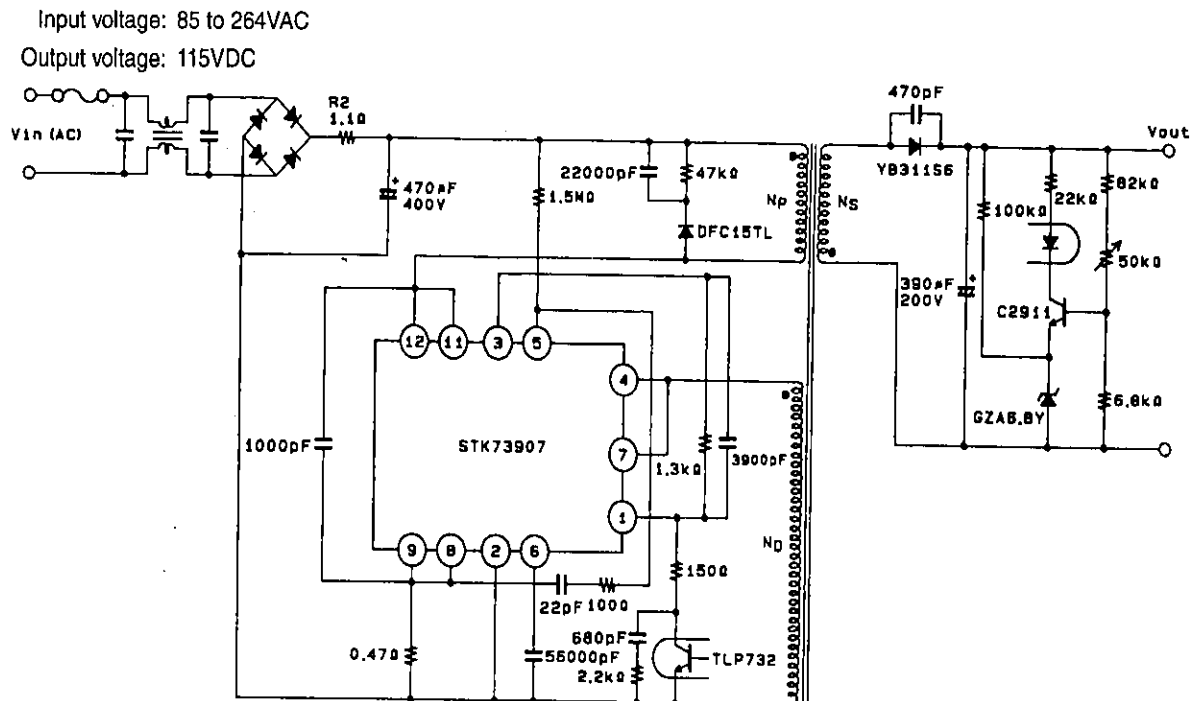
Pulse Transformer Specifications



A02779

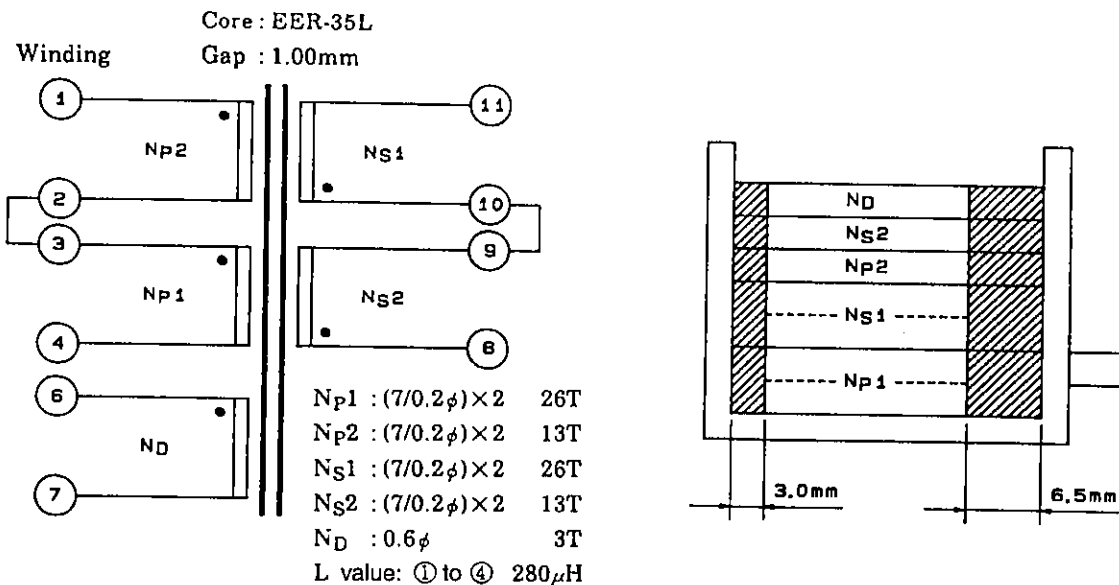


Sample Application Circuit (World Input System)

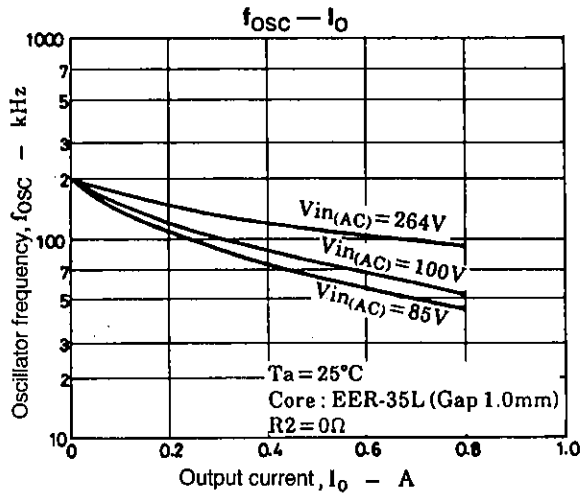
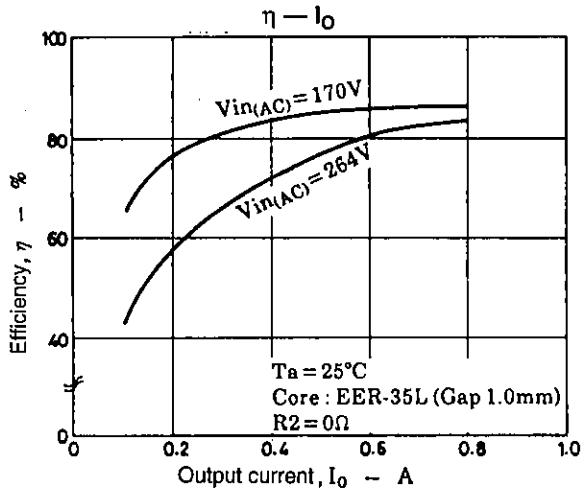
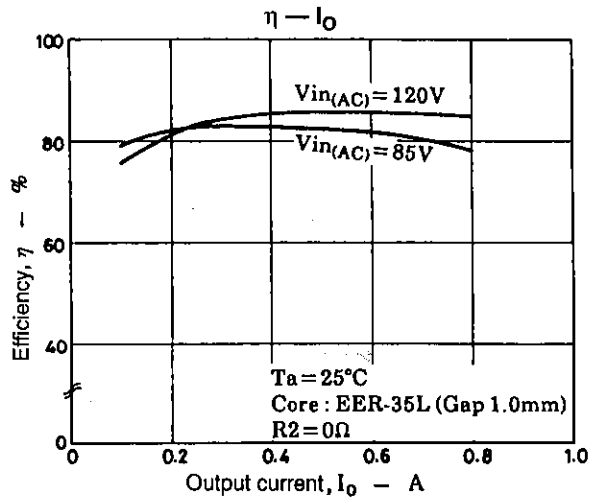
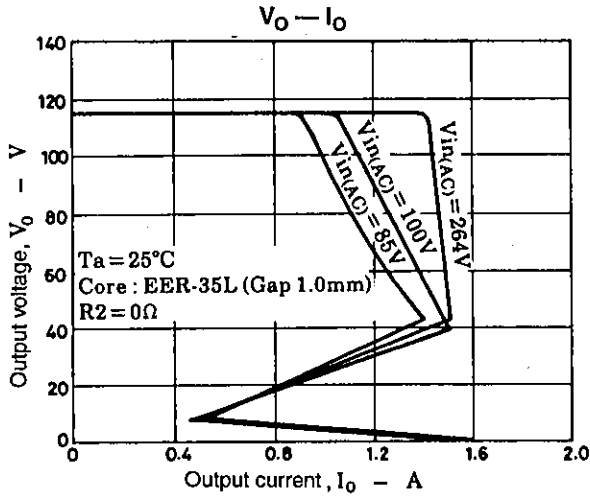


A02780

Pulse Transformer Specifications



A02781



Series Organization

These devices form a series with varying output power ratings.

Device	Maximum ratings				Operating characteristics			
	V_{DSS} [V]	T_{stg} [°C]	T_c max [°C]	T_j max [°C]	I_o [A]	Input voltage [V]	Output power [W]	ON resistance [Ω]
STK73902	500	-30 to +115	+115	+150	6.0	85 to 132	110	1.4
STK73903					10.0		180	0.6
STK73904					12.0		210	0.55
STK73905					15.0		280	0.3
STK73906	900	-30 to +115	+115	+150	3.0	170 to 264	110	5.0
STK73907					5.0		180	3.0
STK73908					6.0		210	2.0
STK73909					8.0		280	1.2