

TOSHIBA BIPOLAR LINEAR INTEGRATED CIRCUIT SILICON MONOLITHIC

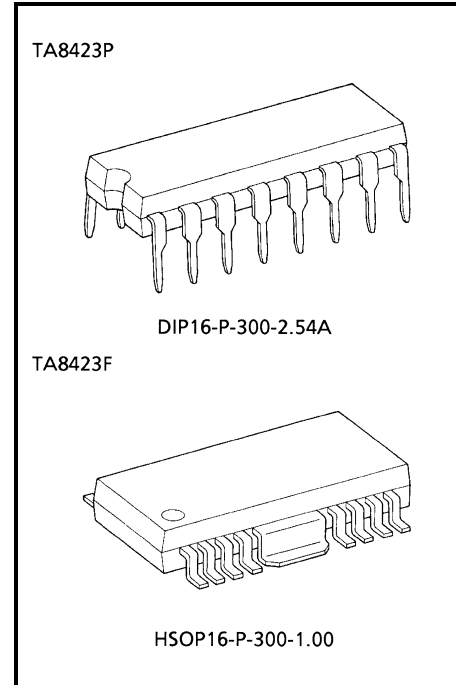
TA8423P, TA8423F

3 PHASE Bi-DIRECTIONAL HALL MOTOR DRIVER

The TA8423P, TA8423F are 3 phase Bi-Directional Hall Motor Driver IC designed for VCR (Capstan, head and reel), ADP, Tape Deck, FDD and other Output Driver for 3 phase bipolar Hall motors.

FEATURES

- Few external parts required
- Wide operating supply voltage range
: $V_{CC (opr)} = 7 \sim 17 \text{ V}$
- Forward rotation, reverse rotation and stop are controlled by 1 terminal signal control and easy to interface with CPU.
- High sensitivity of the position sensing circuit.
(Hall sensor input) : $V_H = 20 \text{ mV}_{p-p}$ (Typ.)
- Large output current : $I_O (MAX.) = 1.2 \text{ A}$
- Protect diodes equipped for all inputs
- Recommend to use TOSHIBA Ga-As Hall sensor "THS100 series"
- Built-in internal reference
- Built-in thermal shut down circuit

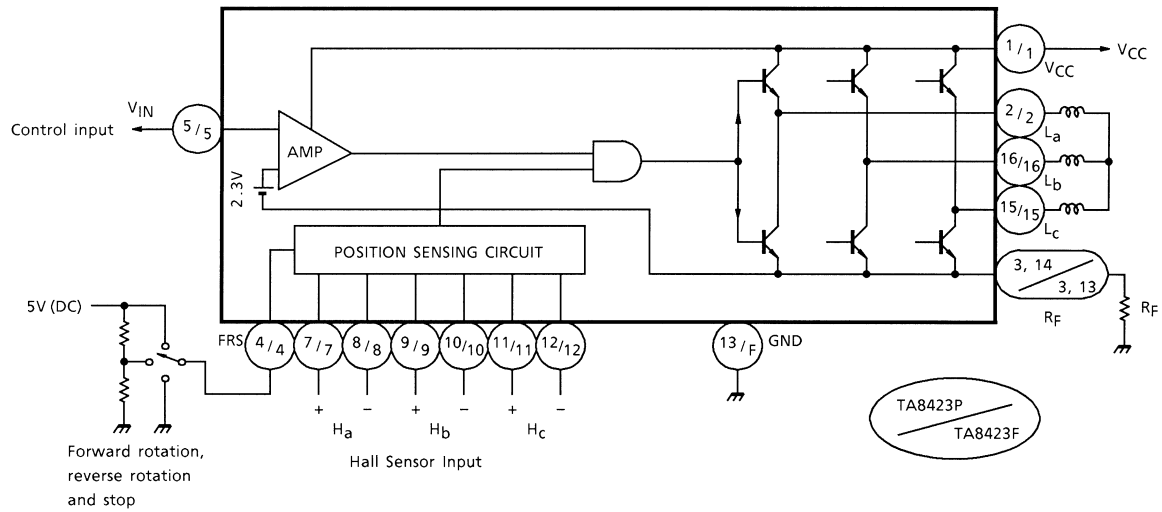


Weight

DIP16-P-300-2.54A : 1.11g (Typ.)

HSOP16-P-300-1.00 : 0.50g (Typ.)

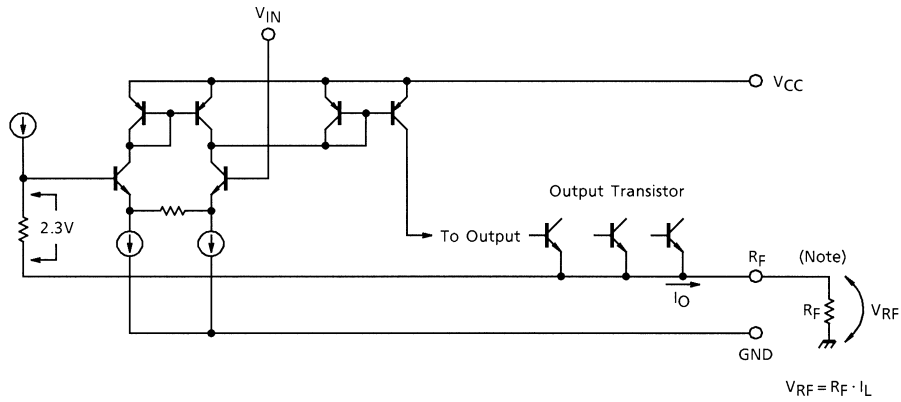
BLOCK DIAGRAM



PIN FUNCTION

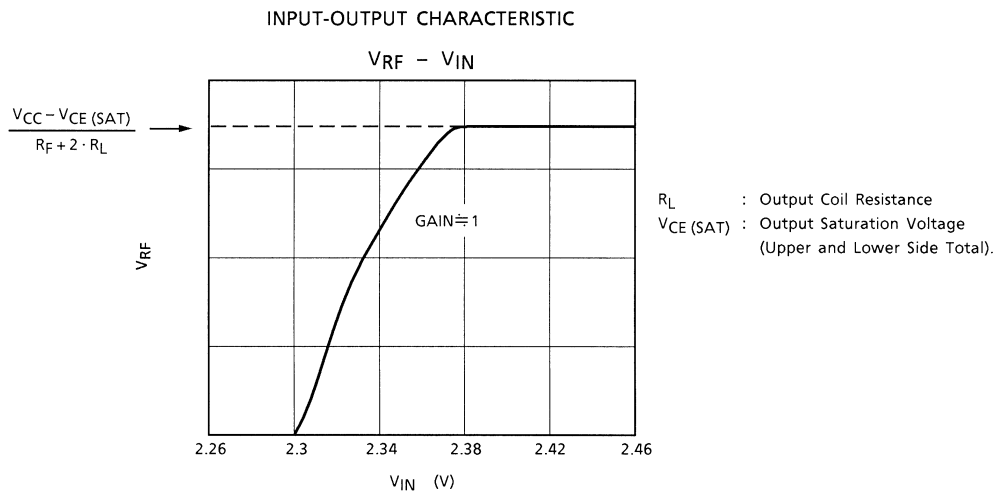
PIN No.		SYMBOL	FUNCTION DESCRIPTION
P	F		
1	1	V_{CC}	Power supply input terminal.
2	2	L_a	a-phase drive output terminal.
3	3	R_F	Output current detection terminal.
4	4	FRS	Forward / Reverse control terminal.
5	5	V_{IN}	Control Amp. positive input terminal.
6	6	N.C	Non Connection.
7	7	H_{a+}	a-phase Hall Amp. positive input terminal.
8	8	H_{a-}	a-phase Hall Amp. negative input terminal.
9	9	H_{b+}	b-phase Hall Amp. positive input terminal.
10	10	H_{b-}	b-phase Hall Amp. negative input terminal.
11	11	H_{c+}	c-phase Hall Amp. positive input terminal.
12	12	H_{c-}	c-phase Hall Amp. negative input terminal.
13	FIN	GND	GND terminal.
14	13	R_F	Output current detection terminal.
15	15	L_c	c-phase drive output terminal.
16	16	L_b	b-phase drive output terminal.

1. Control input circuit



$V_{RF} (= R_F \cdot I_L)$ of feed back voltage is feed backed to negative input of control amp internally. Voltage gain becomes approximately equal to 1 (0dB) by this internal feed back.

Note: 2 terminals (Pin (3), (13) for F version and Pin (3), (14) for P version) are provided for R_F terminal to decrease the interference caused by internal common impedance. Both Pins are required to connect for stable operation.



V_{RF} is feed back voltage generated by R_F and output current of I_L , drive current of I_D and internal reference circuit current of I_R .

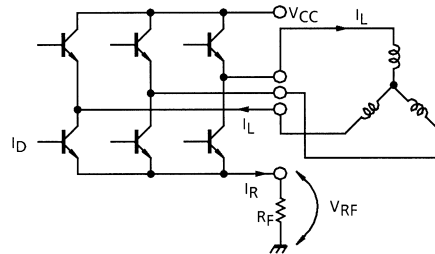
But I_O and I_R are negligible therefore,

$$I_R \ll I_L + I_D$$

$$V_{RF} \approx R_F (I_L + I_O + I_R)$$

$$I_L \gg I_D, I_R$$

$$V_{RF} \approx R_F \cdot I_L$$

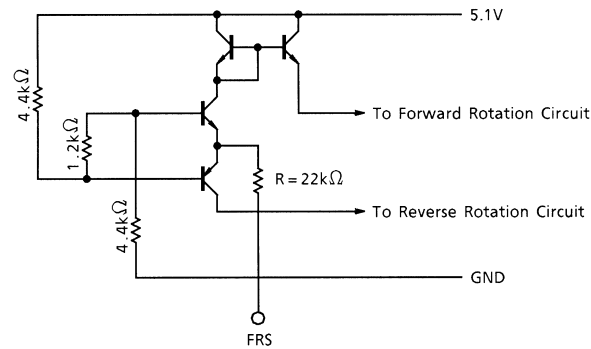


0 Torque state is obtained when less than 2.3 V of control voltage fed into input terminal.

0 Torque state also obtained by select a stop mode by controlling FRS input (Pin (4)).

Less supply current is obtained with this condition.

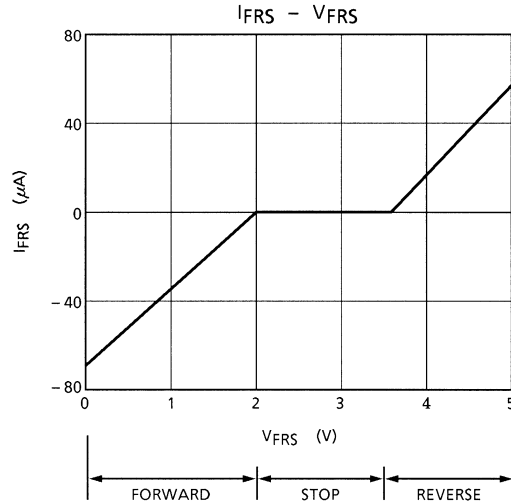
2. FRS CIRCUIT



Forward, Reverse and Stop Modes are selectable by controlling this terminal.

Specified voltages are less than 1.3 V (Forward), 2.4~3.0 V or Open (Stop) and 3.9 V~ V_{CC} (Reverse).

$V_{FRS} - I_{FRS}$ characteristic is shown below.



FUNCTION

FRS INPUT	POSITION SENSING INPUT			OUTPUT		
	H _a	H _b	H _c	L _a	L _b	L _c
L ($V_{(4)} < 1.3 V$)	1	0	1	H	L	M
	1	0	0	H	M	L
	1	1	0	M	H	L
	0	1	0	L	H	M
	0	1	1	L	M	H
	0	0	1	M	L	H
H ($3.9 V < V_{(4)} < V_{CC}$)	1	0	1	L	H	M
	1	0	0	L	M	H
	1	1	0	M	L	H
	0	1	0	H	L	M
	0	1	1	H	M	L
	0	0	1	M	H	L
M ($2.4 V < V_{(4)} < 3.0 V$ or Open)	1	0	1	High Impedance (Stop)		
	1	0	0			
	1	1	0			
	0	1	0			
	0	1	1			
	0	0	1			

Note: "1" of the Hall Sensor input means that voltage above +20 mV is applied to the positive side of each Hall Sensor from the negative side and "0" means that voltage above +20 mV is applied to the negative side from the positive side.

In this case, needless to say, DC potential must be within the specified common mode voltage range of Hall Sensor input.

Further, "H", "M" and "L" of output mean $V_{CC} - V_{SAT1} = 1 / 2 V_{CC}$ and V_{SAT2} , respectively.

MAXIMUM RATINGS (Ta = 25°C)

CHARACTERISTIC		SYMBOL	RATING	UNIT
Supply Voltage		V _{CC}	18	V
Output Current		I _O	1.2	A
Hall Sensor Input Voltage		V _H	400	mV _{p-p}
Power Dissipation	TA8423P	P _D	1.2 (Note 1)	W
	TA8423F		0.9 (Note 1)	
			8.3 (Note 2)	
Operating Temperature		T _{opr}	-30~75	°C
Storage Temperature		T _{stg}	-55~150	°C

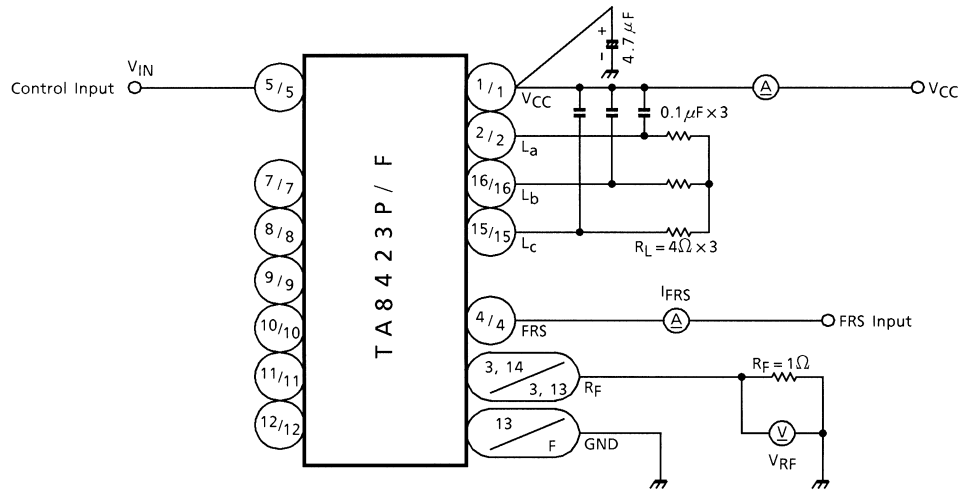
Note 1: No heat sink

Note 2: T_c = 25°C

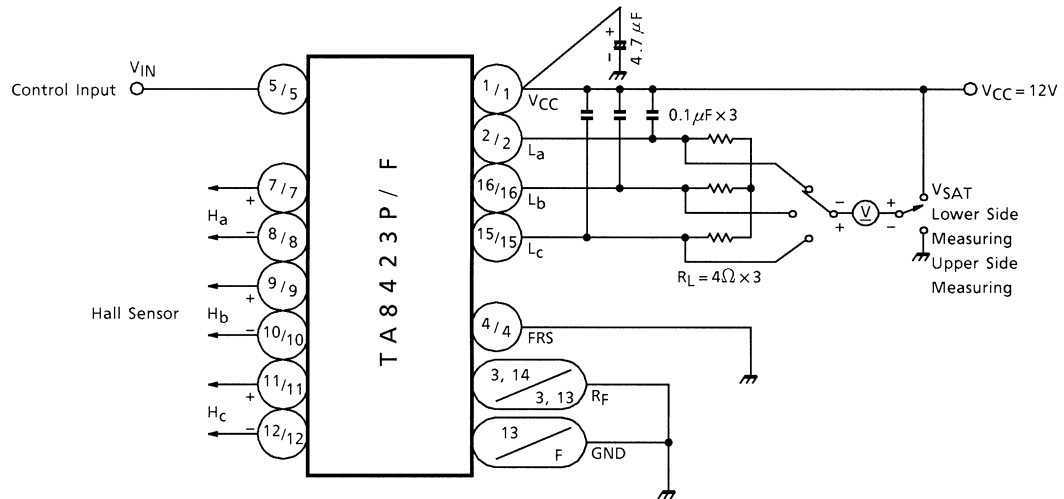
ELECTRICAL CHARACTERISTICS (V_{CC} = 12 V, Ta = 25°C)

CHARACTERISTIC		SYMBOL	TEST CIR-CUIT	TEST CONDITION (TA7262P, TA7262P (LB))	MIN	TYP.	MAX	UNIT
Supply Current		I _{CC1}	1	FRS open	4	8	19	mA
		I _{CC2}		FRS = 5 V	4.5	9	21	
		I _{CC3}		V _{CC} = 18 V, FRS = GND	5.5	11	22	
Control Amp.	Reference Voltage	V _{ref}	1	—	2.2	2.3	2.4	V
	Voltage Gain	G _V		—	—	0	—	dB
	Input Current	I _{in}		V _{IN} = 3.5 V	—	2.5	10	μA
	Reference Voltage Ripple Rejection Ratio	R _r		—	-60	—	—	dB
Cut-off Current	Upper Side	I _{OL(U)}	—	V _{CC} = 18 V	—	—	50	μA
	Lower Side	I _{OL(L)}		V _{CC} = 18 V	—	—	50	
Saturation Voltage	Upper Side	V _{SAT1}	2	I _L = 1 A	—	1.5	1.9	V
	Lower Side	V _{SAT2}		I _L = 1 A	—	0.8	1.2	
Gain Difference		ΔG _V	1	—	—	—	±1	%
Residual Output Voltage		V _{OR}	1	—	—	0	10	mV
Position Sensing Input	Input Sensitivity	V _H	—	—	—	20	—	mV _{p-p}
	Common Mode Voltage Range	CMR _H	3	—	2.0	—	V _{CC} -3	V
	Input Offset Voltage	V _{HO}	—	—	—	0	5	mV
Rotation Control (Input Operation Voltage)	Forward	V _F	1	—	-0.3	—	1.3	V
	Stop	V _S		—	2.4	—	3.0	
	Reverse	V _R		—	3.9	—	V _{CC}	
Thermal Shut-down Circuit Operating Temperature		TSD	—	—	150	—	—	°C

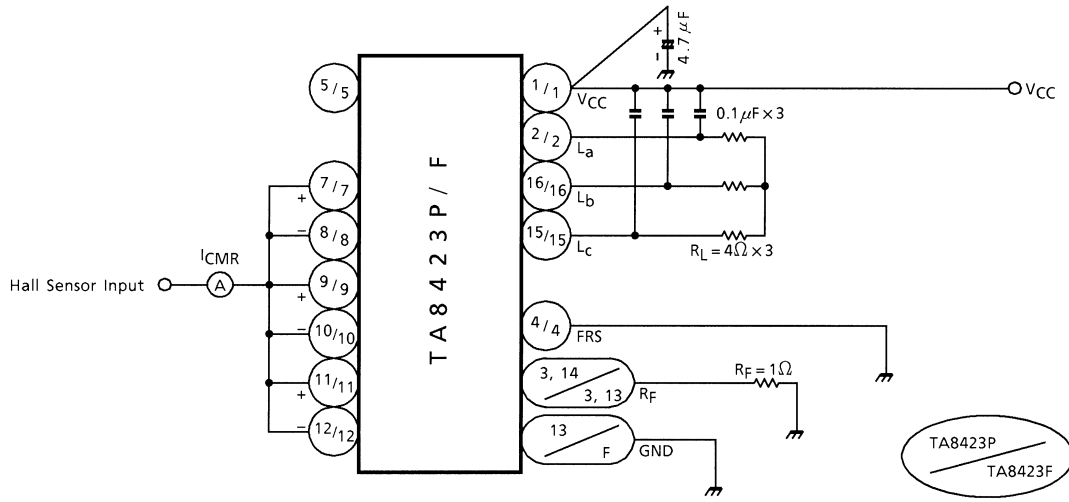
TEST CIRCUIT 1



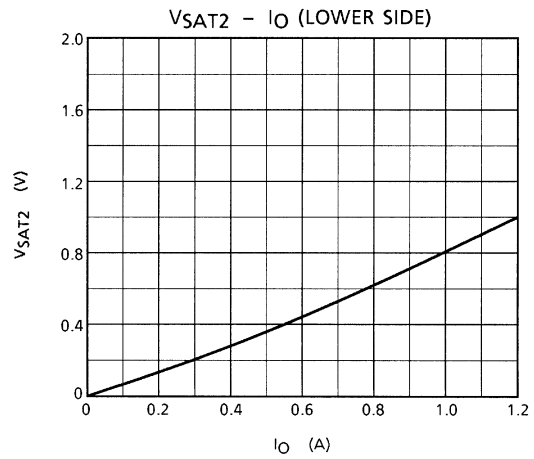
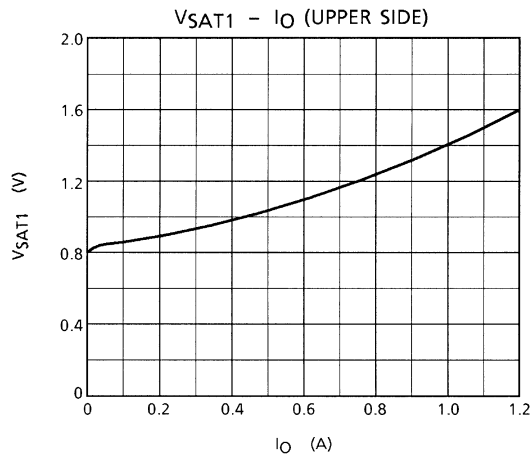
TEST CIRCUIT 2



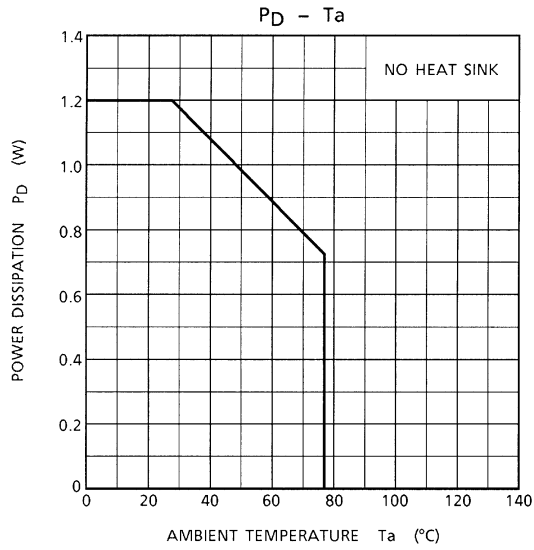
TEST CIRCUIT 3



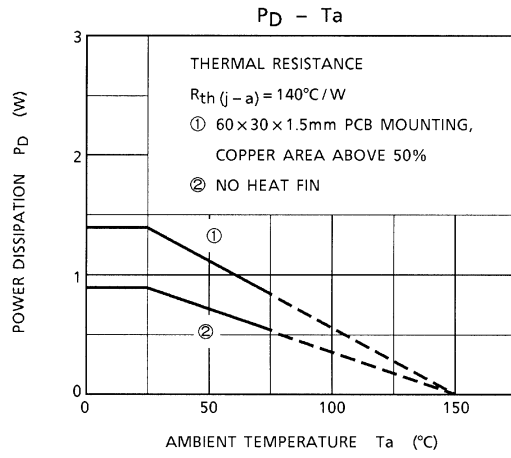
Output Amplifier Saturation Voltage Characteristics



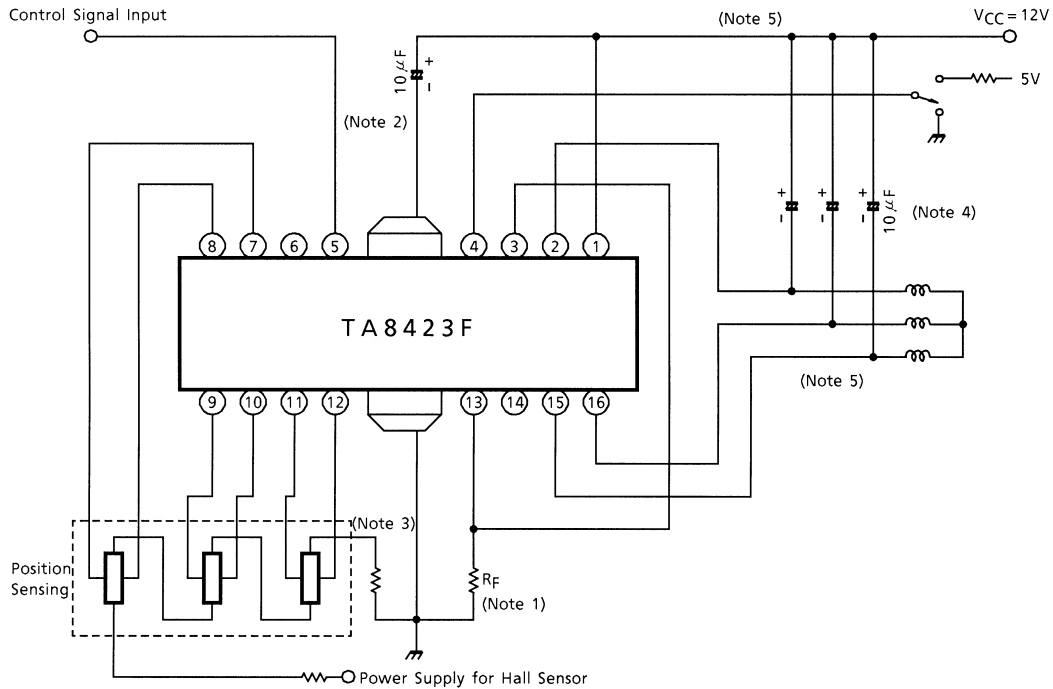
TA8423P



TA8423F



APPLICATION CIRCUIT



Note 1: Recommendable value of R_F is 0.3 to 5 Ω . It depends on required initial torque, gain, coil impedance and control voltage of Pin 5.

Note 2: To connect directly to IC Pin (Fin for F version and (13) Pin for P version) and GND to eliminate the influence of common impedance.

It is required to increase the value of this capacitance for stable operations in case of poor wiring or patterning of PCB.

Note 3: Special care should be taken not to have a common impedance with GND line, R_F GND line and Hall Sensor GND line.

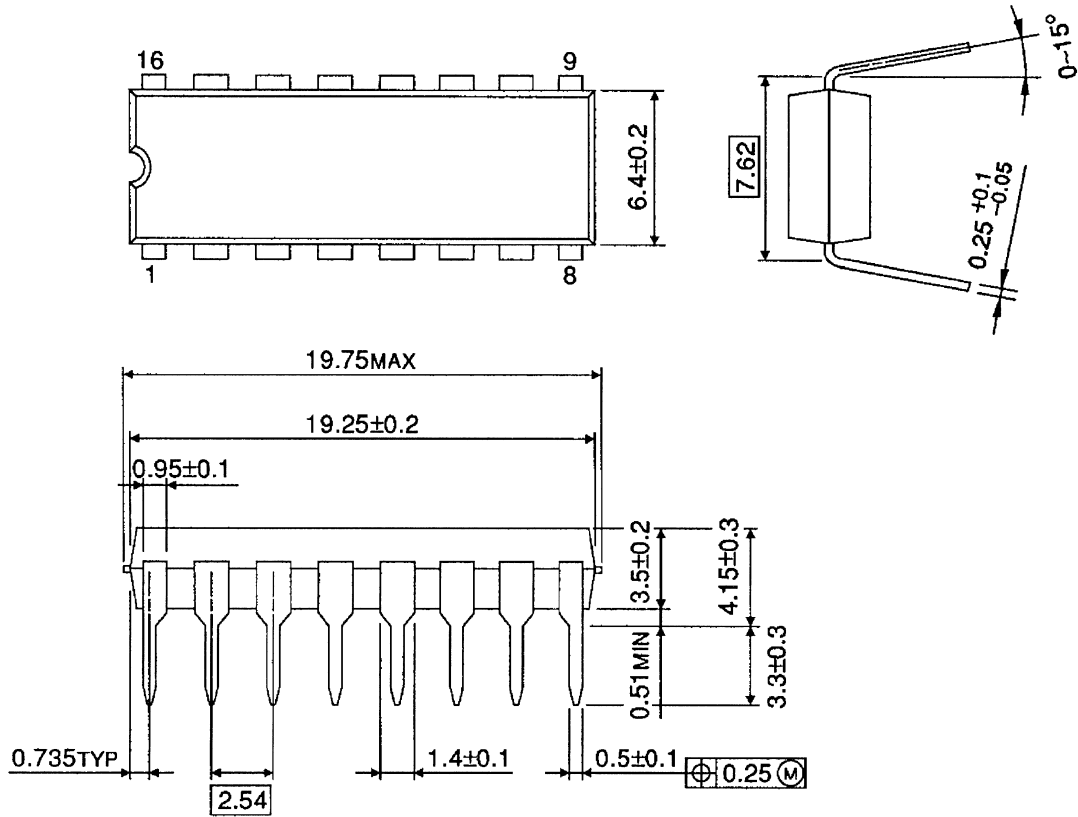
Note 4: Please select to optimum value for eliminate a vibration noise and parasitic oscillation. And also to change the connection (for example, each output to V_{CC} or to R_F) for getting better characteristics.

Note 5: Utmost care is necessary in the design of the output line, V_{CC} and GND line since IC may be destroyed due to short-circuit between outputs, air contamination fault, or fault by improper grounding.

PACKAGE DIMENSIONS

DIP16-P-300-2.54A

Unit : mm

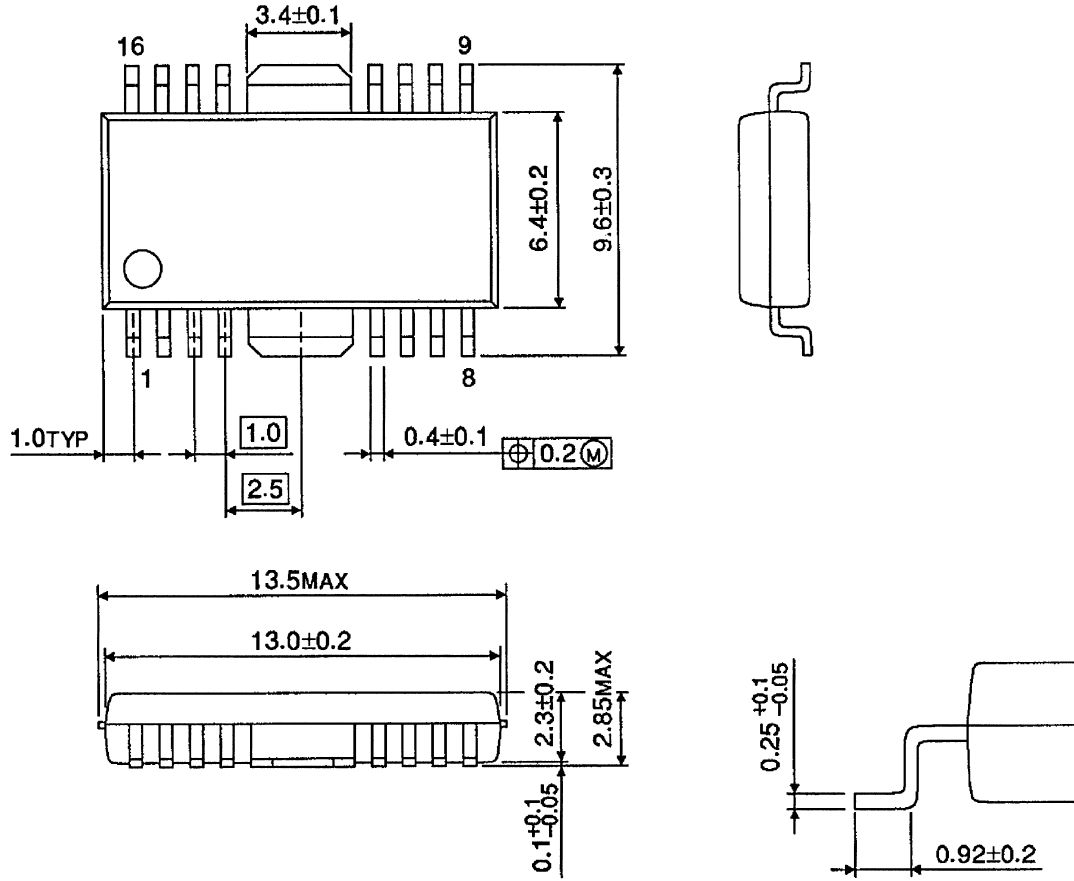


Weight : 1.11 g (Typ.)

PACKAGE DIMENSIONS

HSOP16-P-300-1.00

Unit : mm



Weight : 0.50 g (Typ.)

RESTRICTIONS ON PRODUCT USE

030619EBA

- The information contained herein is subject to change without notice.
- The information contained herein is presented only as a guide for the applications of our products. No responsibility is assumed by TOSHIBA for any infringements of patents or other rights of the third parties which may result from its use. No license is granted by implication or otherwise under any patent or patent rights of TOSHIBA or others.
- TOSHIBA is continually working to improve the quality and reliability of its products. Nevertheless, semiconductor devices in general can malfunction or fail due to their inherent electrical sensitivity and vulnerability to physical stress. It is the responsibility of the buyer, when utilizing TOSHIBA products, to comply with the standards of safety in making a safe design for the entire system, and to avoid situations in which a malfunction or failure of such TOSHIBA products could cause loss of human life, bodily injury or damage to property.
In developing your designs, please ensure that TOSHIBA products are used within specified operating ranges as set forth in the most recent TOSHIBA products specifications. Also, please keep in mind the precautions and conditions set forth in the "Handling Guide for Semiconductor Devices," or "TOSHIBA Semiconductor Reliability Handbook" etc..
- The TOSHIBA products listed in this document are intended for usage in general electronics applications (computer, personal equipment, office equipment, measuring equipment, industrial robotics, domestic appliances, etc.). These TOSHIBA products are neither intended nor warranted for usage in equipment that requires extraordinarily high quality and/or reliability or a malfunction or failure of which may cause loss of human life or bodily injury ("Unintended Usage"). Unintended Usage include atomic energy control instruments, airplane or spaceship instruments, transportation instruments, traffic signal instruments, combustion control instruments, medical instruments, all types of safety devices, etc.. Unintended Usage of TOSHIBA products listed in this document shall be made at the customer's own risk.
- The products described in this document are subject to the foreign exchange and foreign trade laws.
- TOSHIBA products should not be embedded to the downstream products which are prohibited to be produced and sold, under any law and regulations.