

DATA SHEET

TDA3504

Video control combination circuit

Product specification
Supersedes data of April 1995
File under Integrated Circuits, IC02

1996 Jan 09

Video control combination circuit

TDA3504

FEATURES

- Capacitive coupling of the colour difference and luminance input signals with black level clamping in the input stages
- Linear saturation control acting on the colour difference signals
- (G–Y) and RGB matrix
- Linear transmission of inserted signals
- Equal black levels for inserted and matrixed signals
- 3 identical channels for the RGB signals
- Linear contrast and brightness controls, operating on both the inserted and matrixed RGB signals
- Clamping, horizontal and vertical blanking of the three input signals controlled by a 3-level sandcastle pulse
- Emitter-follower outputs for driving the RGB output stages.

GENERAL DESCRIPTION

The TDA3504 is an integrated circuit which performs video control functions in a PAL/SECAM decoder for negative colour difference signals $-(R-Y)$ and $-(B-Y)$.

The required input signals are luminance and colour difference and a 3-level sandcastle pulse for control purposes. Linear RGB signals can be inserted from an external source. RGB output signals are available for driving the video output stages.

QUICK REFERENCE DATA

All voltages referenced to pin 18 (ground).

SYMBOL	PARAMETER	MIN.	TYP.	MAX.	UNIT
V_P	supply voltage (pin 2)	–	12.0	–	V
I_P	supply current (pin 2)	–	95	–	mA
$V_{11(p-p)}$	video blanking sync (VBS) input signal (peak-to-peak value)	–	0.45	–	V
$V_{15(p-p)}$	$-(B-Y)$ colour difference input signal (peak-to-peak value)	–	1.33	–	V
$V_{14(p-p)}$	$-(R-Y)$ colour difference input signal (peak-to-peak value)	–	1.05	–	V
$V_{10, 9, 8(b-w)}$	inserted RGB signals (black-to-white value)	–	1.0	–	V
V_6	3-level sandcastle pulse				
	level 1	–	2.5	–	V
	level 2	–	4.5	–	V
	level 3	–	8.0	–	V
V_{17}	control voltage brightness	1.0	–	3.0	V
V_{16}	control voltage contrast	2.0	–	4.2	V
V_{12}	control voltage saturation	2.0	–	4.2	V
T_{amb}	operating ambient temperature	0	–	+70	°C

ORDERING INFORMATION

TYPE NUMBER	PACKAGE		
	NAME	DESCRIPTION	VERSION
TDA3504	DIP20	plastic dual in-line package; 20 leads (300 mil)	SOT146-1

Video control combination circuit

TDA3504

BLOCK DIAGRAM

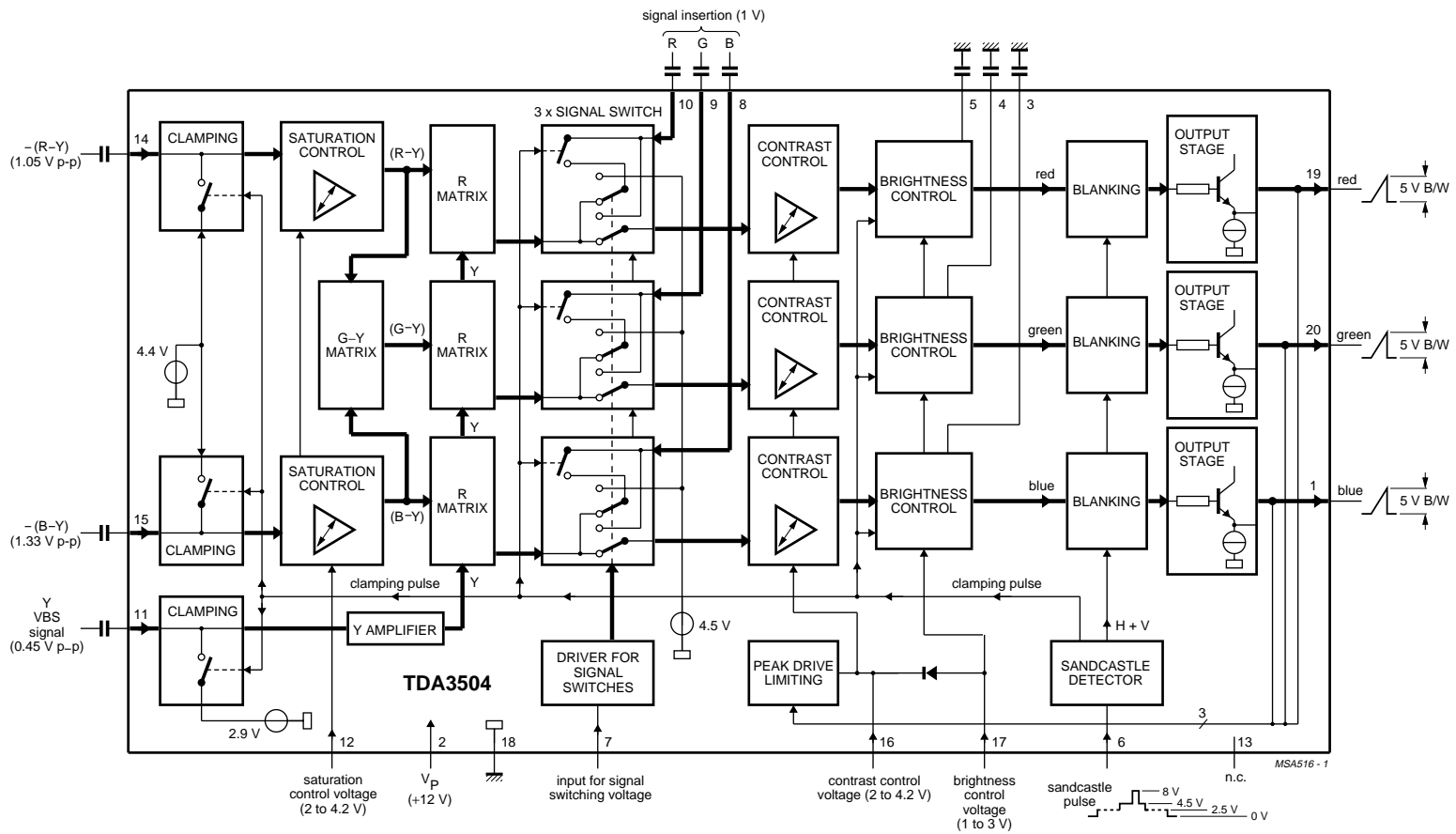


Fig.1 Block diagram.

Video control combination circuit

TDA3504

PINNING

SYMBOL	PIN	DESCRIPTION
BO	1	blue output
V _P	2	supply voltage (+12 V)
CB	3	blue storage capacitor for brightness
CG	4	green storage capacitor for brightness
CR	5	red storage capacitor for brightness
SAND	6	sandcastle pulse input
FSW	7	fast switch for RGB input
BI	8	blue input (external signal)
GI	9	green input (external signal)
RI	10	red input (external signal)
Y	11	luminance input
SAT	12	saturation control input
n.c.	13	not connected
-(R-Y)	14	colour difference input
-(B-Y)	15	colour difference input
CON	16	contrast control input
BRI	17	brightness control input
GND	18	ground (0 V)
RO	19	red output
GO	20	green output

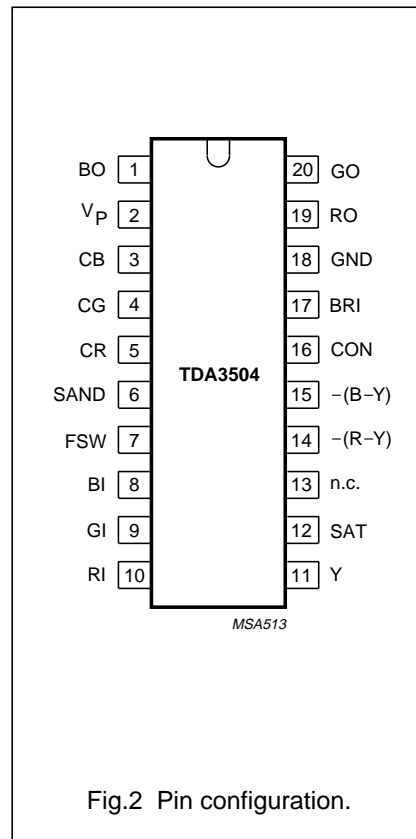


Fig.2 Pin configuration.

LIMITING VALUES

In accordance with the Absolute Maximum Rating System (IEC 134).

SYMBOL	PARAMETER	MIN.	MAX.	UNIT
V _P	supply voltage (pin 2)	0	13.2	V
V ₆	sandcastle voltage (pin 6)	0	V _P	V
V ₇	fast switch voltage (pin 7)	-0.5	+3.0	V
V _{12, 16, 17}	control input voltage (pins 12, 16 and 17)	0	0.5V _P	V
V _n	voltage on pins 1, 3, 4, 5, 8 to 11, 14, 15, 19 and 20	no external DC voltage		
I _{1, 19, 20 (av)}	average output current (pins 1, 19 and 20)	-	-3	mA
I _{1, 19, 20(max)}	maximum output current (pins 1, 19 and 20)	-	-10	mA
I _{16 (av)}	average output current (pin 16)	-	10	mA
I ₁₇	input current (pin 17)	-	5	mA
P _{tot}	total power dissipation	-	1.7	W
T _{amb}	operating ambient temperature	0	+70	°C
T _{stg}	storage temperature	-25	+150	°C

Video control combination circuit

TDA3504

CHARACTERISTICS

$V_P = 12\text{ V}$; $V_{8, 9, 10(p-p)} = 1\text{ V}$; $V_{11(p-p)} = 0.45\text{ V}$; $V_{14(p-p)} = 1.05\text{ V}$; $V_{15(p-p)} = 1.33\text{ V}$; $T_{amb} = 25\text{ °C}$; measured in Figs 3 and 4; nominal settings of brightness ($V_{17} = 2\text{ V}$), contrast ($V_{16} = 3.6\text{ V}$) and saturation ($V_{12} = 3.1\text{ V}$); all voltages referenced to ground (pin 18); unless otherwise specified.

SYMBOL	PARAMETER	CONDITIONS	MIN.	TYP.	MAX.	UNIT
Supply						
V_P	supply voltage (pin 2)		10.8	12.0	13.2	V
I_P	supply current (pin 2)	note 1	65	95	125	mA
Colour difference inputs (pins 14 and 15)						
$V_{14(p-p)}$	–(R–Y) input signal (pin 14) (peak-to-peak value)	for saturated colour bar with 75% of maximum amplitude	–	1.05	1.48	V
$V_{15(p-p)}$	–(B–Y) input signal (pin 15) (peak-to-peak value)	for saturated colour bar with 75% of maximum amplitude	–	1.33	1.88	V
$ I_{14, 15} $	input current between clamping pulses		–	–	0.2	μA
$R_{14, 15}$	input resistance		1.0	–	–	$\text{M}\Omega$
$V_{14, 15}$	internal DC voltage due to clamping	note 2	3.8	4.2	4.8	V
Saturation control (pin 12)						
V_{12}	control voltages ⁽²⁾	maximum saturation	4.0	4.2	4.4	V
		nominal saturation 6 dB below maximum	2.9	3.1	3.3	V
		–26 dB saturation referenced to maximum	1.9	2.1	2.3	V
SAT	minimum saturation	$V_{12} = 1.8\text{ V}$	46	50	–	dB
I_I	input current		–	–	20	μA
(G–Y) matrix (see note 3)						
Luminance input (pin 11)						
$V_{11(p-p)}$	VBS input signal (peak-to-peak value)	note 4	–	450	630	mV
$ I_{11} $	input current between clamping pulses		–	–	0.4	μA
R_{11}	input resistance		1.0	–	–	$\text{M}\Omega$
V_{11}	input DC voltage due to clamping	note 2	2.5	2.9	3.3	V
m	linearity	nominal settings	0.85	–	–	
RGB channels						
SIGNAL SWITCHING INPUT (PIN 7)						
V_7	normal state voltage; no insertion		0	–	0.4	V
V_7	voltage level for insertion on		0.9	–	3.0	V
C_i	input capacitance		–	–	10	pF
I_I	input current	$V_7 = 0\text{ to }3\text{ V}$	–100	–	+430	μA

Video control combination circuit

TDA3504

SYMBOL	PARAMETER	CONDITIONS	MIN.	TYP.	MAX.	UNIT
SIGNAL INSERTION: RI (PIN 10); GI (PIN 9); BI (PIN 8)						
$V_{8,9,10(b-w)}$	external RGB input signals (black-to-white value)		–	1.0	1.4	V
$ I_{8,9,10} $	input current between clamping pulses		–	–	0.5	μ A
$V_{8,9,10}$	internal DC voltage due to clamping	notes 2 and 5	4.0	4.5	5.0	V
Contrast control (pin 16)						
V_{16}	control voltages ⁽²⁾	maximum contrast	4.0	4.2	4.4	V
		nominal contrast 3 dB below maximum	3.4	3.6	3.8	V
		–10 dB below maximum	2.6	2.8	3.0	V
CON	minimum contrast	referenced to maximum; $V_{16} = 2$ V	17	21	29	dB
RGB_{diff}	difference between RGB channels	contrast –10 dB below maximum	–	–	0.6	dB
Peak drive limiting						
V_{th}	threshold voltage	note 2	8.5	8.8	9.1	V
I_{16}	input current at contrast control input	$V_{1,19,20} \geq V_{th}$	10	20	30	mA
	internal signal limiting	referenced to nominal output amplitude; note 6	110	–	–	%
Brightness control (pin 17)						
V_{17}	control voltages ⁽²⁾	brightness control range	1.0	–	3.0	V
		nominal brightness	–	2.0	–	V
I_l	input current	no beam current limiting; $V_{17} = 1$ to 3 V	–	–	–10	μ A
$\Delta V_{blk(b-w)}$	shift of black level in the control range referenced to the luminance signal (black-to-white value)	$\Delta V_{17} = 1$ V	–	40	–	%
		tracking	95	–	–	%
RGB outputs (emitter follower; pins 19, 20 and 1)						
$V_{19,20,1}$	output voltage	black-to-white positive	4.0	5.0	6.5	V
$\Delta V_{19,20,1}$	difference in black level between RGB channels due to variation of contrast control		–	–	10	mV
$ I_{19,20,1} $	internal current source		2.0	3.0	4.0	mA
Gain data (at nominal brightness, contrast, saturation and white point settings)						
$G_{v19,20,1-11}$	voltage gain with respect to luminance input (pin 11)		22	24	26	dB
$\alpha_{19,20,1-11}$	frequency response of luminance path	$f = 0$ to 5 MHz	–	–	3	dB

Video control combination circuit

TDA3504

SYMBOL	PARAMETER	CONDITIONS	MIN.	TYP.	MAX.	UNIT
$G_{V1-15};$ G_{V19-14}	voltage gain with respect to colour difference inputs (pins 14 and 15)		11	14	17	dB
$\alpha_{1-15}; \alpha_{19-14}$	frequency response of colour difference paths	$f = 0$ to 2 MHz	–	–	3	dB
$G_{V19-10};$ $G_{V20-9}; G_{V1-8}$	voltage gain with respect to inserted signals		12	14	16	dB
$\alpha_{19-10}; \alpha_{20-9};$ α_{1-8}	frequency response of inserted signal paths	$f = 0$ to 10 MHz	–	–	3	dB
$\Delta t_{19, 20, 1}$	difference in transition times between R, G and B channels		–	0	15	ns
t_d	delay time between signal switching and signal insertion		–25	–	+25	ns
$\Delta G_{19, 20, 1}$	difference in gain between normal and signal insertion mode		–	–	10	%
Sandcastle pulse detector (pin 6)						
V_6	the following amplitudes are required for separating the various pulses	horizontal and vertical blanking; notes 7 and 8	2.1	2.5	2.9	V
		horizontal; note 7	4.1	4.5	5.0	V
		clamping; notes 7 and 9	7.6	8.0	12.0	V
		no keying; note 7	–	–	1.0	V
I_I	input current	LOW	–	–	–110	μ A
t_d	delay of leading edge of clamping pulse		–	0.5	–	μ s

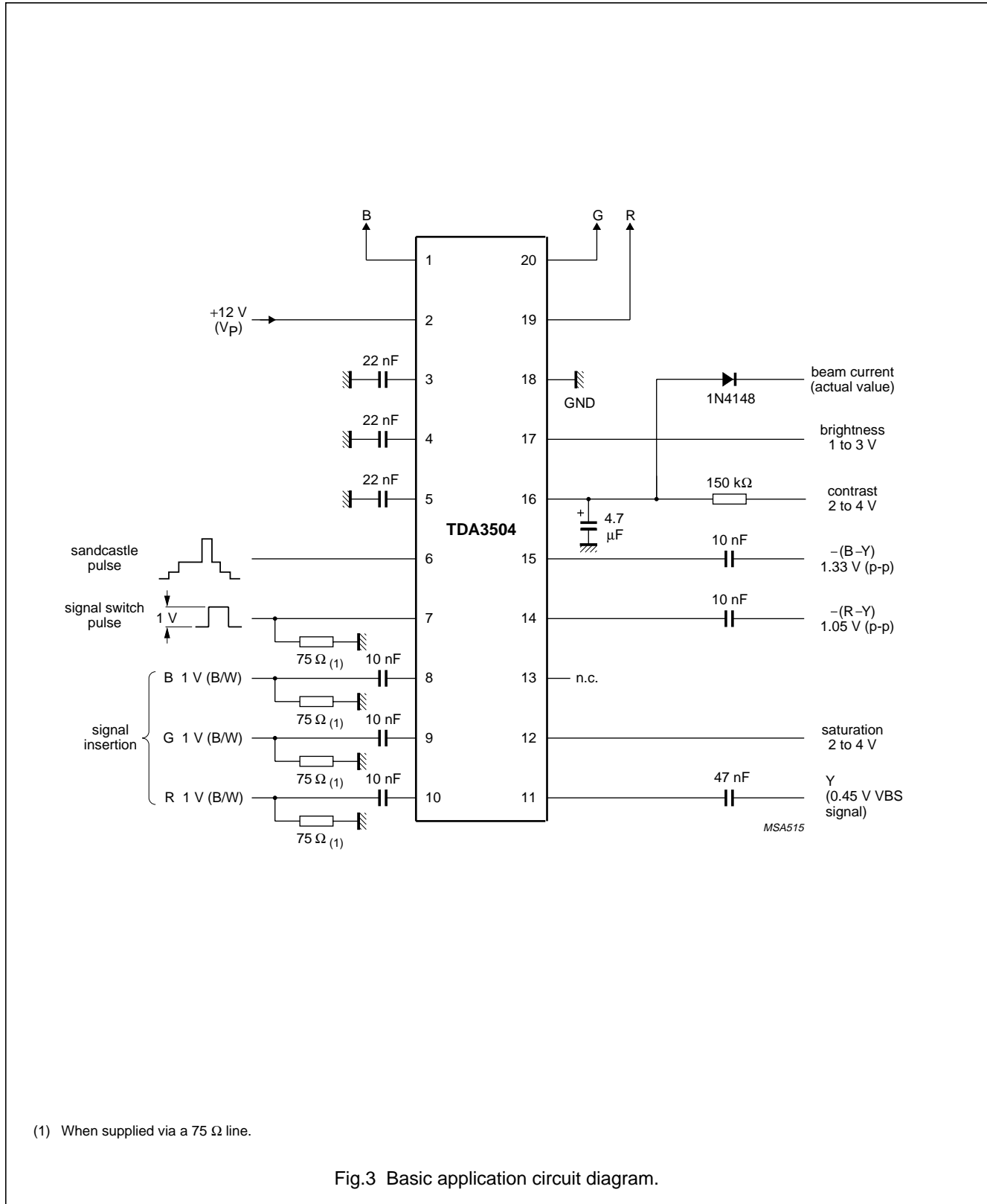
Notes

- Maximum value 110 mA after warm-up.
- Values are proportional to the supply voltage.
- Matrixed according to equation $V_{(G-Y)} = -0.51V_{-(R-Y)} - 0.19V_{-(B-Y)}$.
- Clipping due to internal signal limitation may occur when the Y input is greater than nominal and maximum contrast and minimum brightness.
- When $V_{7-18} < 0.4$ V during clamping time, the black levels of the inserted RGB signals are clamped on the black levels of the internal RGB signals.
When $V_{7-18} > 0.9$ V during clamping time, the black levels of the inserted RGB signals are clamped on an internal DC voltage (correct clamping of the external RGB signals is possible only when they are synchronous with the sandcastle pulse).
- Internal signal limitation is allowed to start at 5.5 V after warm-up time.
- The sandcastle pulse is compared with three internal thresholds (proportional to V_P) and the given levels separate the various pulses.
- Blanked to ultra-black (–25%).
- Pulse duration ≥ 3.5 μ s.

Video control combination circuit

TDA3504

APPLICATION INFORMATION



Video control combination circuit

TDA3504

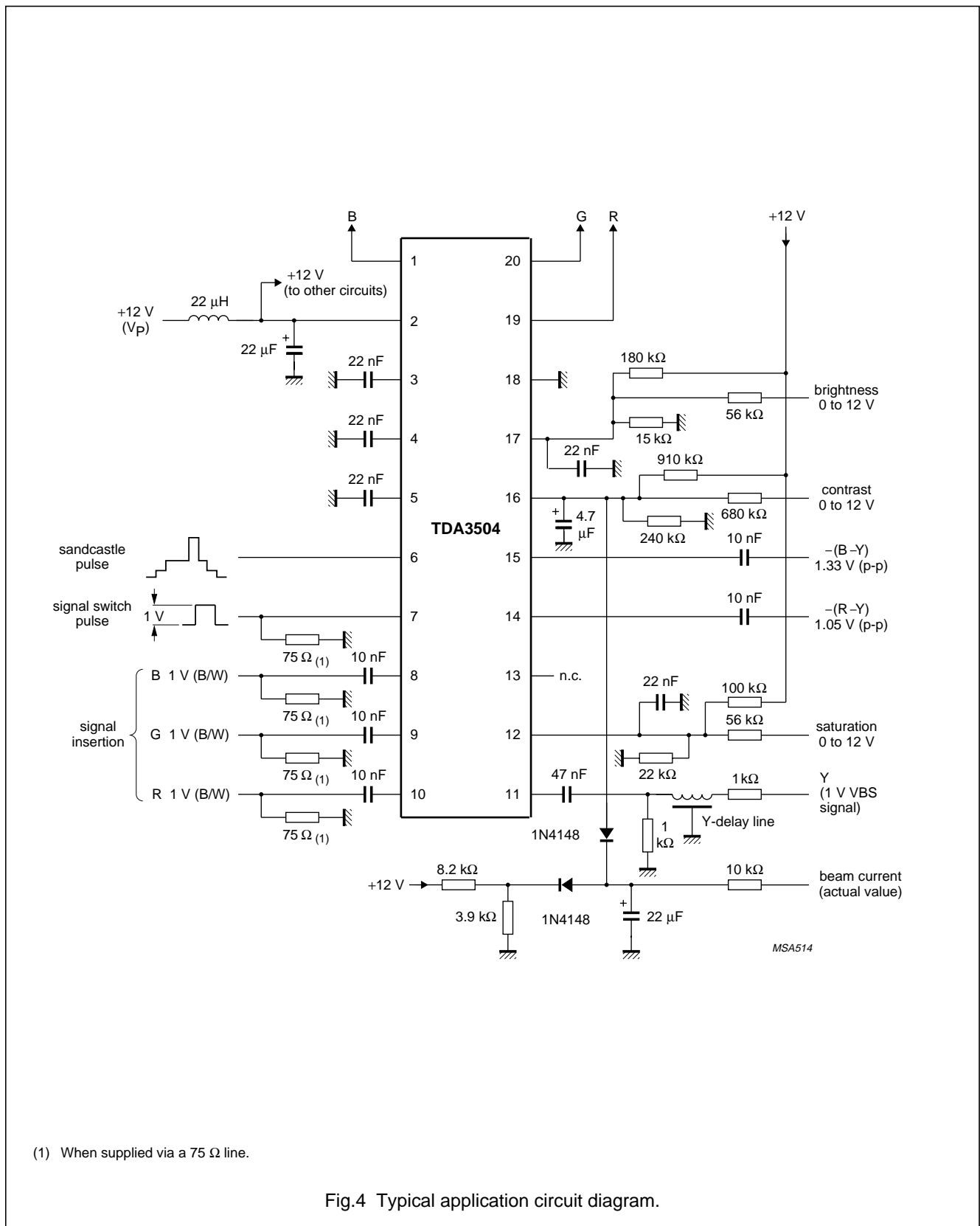


Fig.4 Typical application circuit diagram.

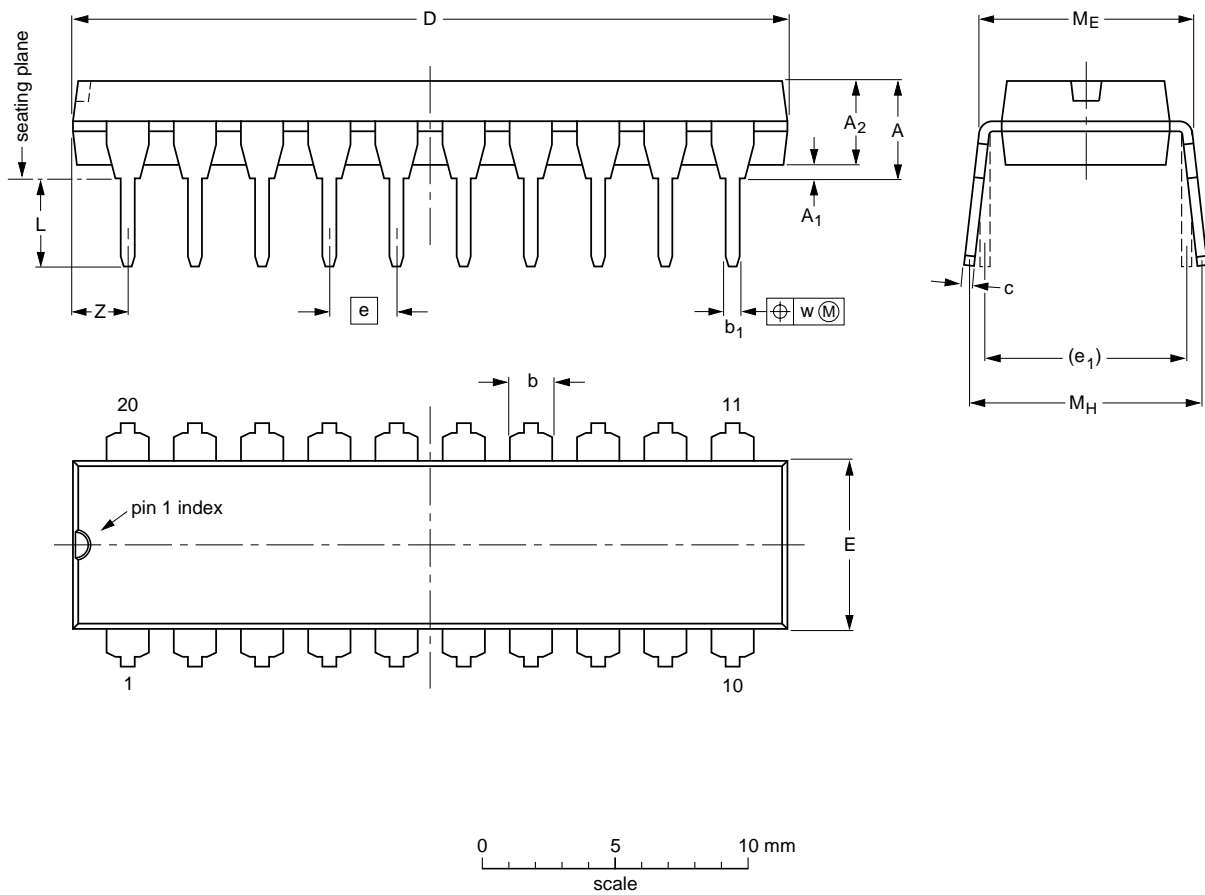
Video control combination circuit

TDA3504

PACKAGE OUTLINE

DIP20: plastic dual in-line package; 20 leads (300 mil)

SOT146-1



DIMENSIONS (inch dimensions are derived from the original mm dimensions)

UNIT	A max.	A ₁ min.	A ₂ max.	b	b ₁	c	D ⁽¹⁾	E ⁽¹⁾	e	e ₁	L	M _E	M _H	w	Z ⁽¹⁾ max.
mm	4.2	0.51	3.2	1.73 1.30	0.53 0.38	0.36 0.23	26.92 26.54	6.40 6.22	2.54	7.62	3.60 3.05	8.25 7.80	10.0 8.3	0.254	2.0
inches	0.17	0.020	0.13	0.068 0.051	0.021 0.015	0.014 0.009	1.060 1.045	0.25 0.24	0.10	0.30	0.14 0.12	0.32 0.31	0.39 0.33	0.01	0.078

Note

1. Plastic or metal protrusions of 0.25 mm maximum per side are not included.

OUTLINE VERSION	REFERENCES				EUROPEAN PROJECTION	ISSUE DATE
	IEC	JEDEC	EIAJ			
SOT146-1			SC603			92-11-17 95-05-24

Video control combination circuit

TDA3504

SOLDERING**Introduction**

There is no soldering method that is ideal for all IC packages. Wave soldering is often preferred when through-hole and surface mounted components are mixed on one printed-circuit board. However, wave soldering is not always suitable for surface mounted ICs, or for printed-circuits with high population densities. In these situations reflow soldering is often used.

This text gives a very brief insight to a complex technology. A more in-depth account of soldering ICs can be found in our "IC Package Databook" (order code 9398 652 90011).

Soldering by dipping or by wave

The maximum permissible temperature of the solder is 260 °C; solder at this temperature must not be in contact

with the joint for more than 5 seconds. The total contact time of successive solder waves must not exceed 5 seconds.

The device may be mounted up to the seating plane, but the temperature of the plastic body must not exceed the specified maximum storage temperature ($T_{stg\ max}$). If the printed-circuit board has been pre-heated, forced cooling may be necessary immediately after soldering to keep the temperature within the permissible limit.

Repairing soldered joints

Apply a low voltage soldering iron (less than 24 V) to the lead(s) of the package, below the seating plane or not more than 2 mm above it. If the temperature of the soldering iron bit is less than 300 °C it may remain in contact for up to 10 seconds. If the bit temperature is between 300 and 400 °C, contact may be up to 5 seconds.

DEFINITIONS

Data sheet status	
Objective specification	This data sheet contains target or goal specifications for product development.
Preliminary specification	This data sheet contains preliminary data; supplementary data may be published later.
Product specification	This data sheet contains final product specifications.
Limiting values	
Limiting values given are in accordance with the Absolute Maximum Rating System (IEC 134). Stress above one or more of the limiting values may cause permanent damage to the device. These are stress ratings only and operation of the device at these or at any other conditions above those given in the Characteristics sections of the specification is not implied. Exposure to limiting values for extended periods may affect device reliability.	
Application information	
Where application information is given, it is advisory and does not form part of the specification.	

LIFE SUPPORT APPLICATIONS

These products are not designed for use in life support appliances, devices, or systems where malfunction of these products can reasonably be expected to result in personal injury. Philips customers using or selling these products for use in such applications do so at their own risk and agree to fully indemnify Philips for any damages resulting from such improper use or sale.

Philips Semiconductors – a worldwide company

Argentina: IEROD, Av. Juramento 1992 - 14.b, (1428)
BUENOS AIRES, Tel. (541)786 7633, Fax. (541)786 9367

Australia: 34 Waterloo Road, NORTH RYDE, NSW 2113,
Tel. (02)805 4455, Fax. (02)805 4466

Austria: Triester Str. 64, A-1101 WIEN, P.O. Box 213,
Tel. (01)60 101-1236, Fax. (01)60 101-1211

Belgium: Postbus 90050, 5600 PB EINDHOVEN, The Netherlands,
Tel. (31)40-2783749, Fax. (31)40-2788399

Brazil: Rua do Rocio 220 - 5th floor, Suite 51,
CEP: 04552-903-SÃO PAULO-SP, Brazil,
P.O. Box 7383 (01064-970),
Tel. (011)821-2333, Fax. (011)829-1849

Canada: PHILIPS SEMICONDUCTORS/COMPONENTS:
Tel. (800) 234-7381, Fax. (708) 296-8556

Chile: Av. Santa Maria 0760, SANTIAGO,
Tel. (02)773 816, Fax. (02)777 6730

China/Hong Kong: 501 Hong Kong Industrial Technology Centre,
72 Tat Chee Avenue, Kowloon Tong, HONG KONG,
Tel. (852)2319 7888, Fax. (852)2319 7700

Colombia: IPRELENZO LTDA, Carrera 21 No. 56-17,
77621 BOGOTA, Tel. (571)249 7624/(571)217 4609,
Fax. (571)217 4549

Denmark: Prags Boulevard 80, PB 1919, DK-2300
COPENHAGEN S, Tel. (45)32 88 26 36, Fax. (45)31 57 19 49

Finland: Sinikalliontie 3, FIN-02630 ESPOO,
Tel. (358)0-615 800, Fax. (358)0-61580 920

France: 4 Rue du Port-aux-Vins, BP317,
92156 SURESNES Cedex,
Tel. (01)4099 6161, Fax. (01)4099 6427

Germany: P.O. Box 10 51 40, 20035 HAMBURG,
Tel. (040)23 53 60, Fax. (040)23 53 63 00

Greece: No. 15, 25th March Street, GR 17778 TAVROS,
Tel. (01)4894 339/4894 911, Fax. (01)4814 240

India: Philips INDIA Ltd, Shivsagar Estate, A Block,
Dr. Annie Besant Rd. Worli, Bombay 400 018
Tel. (022)4938 541, Fax. (022)4938 722

Indonesia: Philips House, Jalan H.R. Rasuna Said Kav. 3-4,
P.O. Box 4252, JAKARTA 12950,
Tel. (021)5201 122, Fax. (021)5205 189

Ireland: Newstead, Clonskeagh, DUBLIN 14,
Tel. (01)7640 000, Fax. (01)7640 200

Italy: PHILIPS SEMICONDUCTORS S.r.l.,
Piazza IV Novembre 3, 20124 MILANO,
Tel. (0039)2 6752 2531, Fax. (0039)2 6752 2557

Japan: Philips Bldg 13-37, Kohnan2-chome, Minato-ku, TOKYO 108,
Tel. (03)3740 5130, Fax. (03)3740 5077

Korea: Philips House, 260-199 Itaewon-dong,
Yongsan-ku, SEOUL, Tel. (02)709-1412, Fax. (02)709-1415

Malaysia: No. 76 Jalan Universiti, 46200 PETALING JAYA,
SELANGOR, Tel. (03)750 5214, Fax. (03)757 4880

Mexico: 5900 Gateway East, Suite 200, EL PASO, TX 79905,
Tel. 9-5(800)234-7381, Fax. (708)296-8556

Netherlands: Postbus 90050, 5600 PB EINDHOVEN, Bldg. VB,
Tel. (040)2783749, Fax. (040)2788399

New Zealand: 2 Wagener Place, C.P.O. Box 1041, AUCKLAND,
Tel. (09)849-4160, Fax. (09)849-7811

Norway: Box 1, Manglerud 0612, OSLO,
Tel. (022)74 8000, Fax. (022)74 8341

Pakistan: Philips Electrical Industries of Pakistan Ltd.,
Exchange Bldg. ST-2/A, Block 9, KDA Scheme 5, Clifton,
KARACHI 75600, Tel. (021)587 4641-49,
Fax. (021)577035/5874546

Philippines: PHILIPS SEMICONDUCTORS PHILIPPINES Inc.,
106 Valero St. Salcedo Village, P.O. Box 2108 MCC, MAKATI,
Metro MANILA, Tel. (63) 2 816 6380, Fax. (63) 2 817 3474

Portugal: PHILIPS PORTUGUESA, S.A.,
Rua dr. António Loureiro Borges 5, Arquiparque - Miraflores,
Apartado 300, 2795 LINDA-A-VELHA,
Tel. (01)4163160/4163333, Fax. (01)4163174/4163366

Singapore: Lorong 1, Toa Payoh, SINGAPORE 1231,
Tel. (65)350 2000, Fax. (65)251 6500

South Africa: S.A. PHILIPS Pty Ltd.,
195-215 Main Road Martindale, 2092 JOHANNESBURG,
P.O. Box 7430, Johannesburg 2000,
Tel. (011)470-5911, Fax. (011)470-5494

Spain: Balmes 22, 08007 BARCELONA,
Tel. (03)301 6312, Fax. (03)301 42 43

Sweden: Kottbygatan 7, Akalla. S-164 85 STOCKHOLM,
Tel. (0)8-632 2000, Fax. (0)8-632 2745

Switzerland: Allmendstrasse 140, CH-8027 ZÜRICH,
Tel. (01)488 2211, Fax. (01)481 77 30

Taiwan: PHILIPS TAIWAN Ltd., 23-30F, 66, Chung Hsiao West
Road, Sec. 1. Taipeh, Taiwan ROC, P.O. Box 22978,
TAIPEI 100, Tel. (886) 2 382 4443, Fax. (886) 2 382 4444

Thailand: PHILIPS ELECTRONICS (THAILAND) Ltd.,
209/2 Sanpavuth-Bangna Road Prakanong,
Bangkok 10260, THAILAND,
Tel. (66) 2 745-4090, Fax. (66) 2 398-0793

Turkey: Talatpasa Cad. No. 5, 80640 GÜLTEPE/ISTANBUL,
Tel. (0212)279 27 70, Fax. (0212)282 67 07

Ukraine: Philips UKRAINE, 2A Akademika Koroleva str., Office 165,
252148 KIEV, Tel. 380-44-4760297, Fax. 380-44-4766991

United Kingdom: Philips Semiconductors LTD.,
276 Bath Road, Hayes, MIDDLESEX UB3 5BX,
Tel. (0181)730-5000, Fax. (0181)754-8421

United States: 811 East Arques Avenue, SUNNYVALE,
CA 94088-3409, Tel. (800)234-7381, Fax. (708)296-8556

Uruguay: Coronel Mora 433, MONTEVIDEO,
Tel. (02)70-4044, Fax. (02)92 0601

Internet: <http://www.semiconductors.philips.com/ps/>

For all other countries apply to: Philips Semiconductors,
International Marketing and Sales, Building BE-p,
P.O. Box 218, 5600 MD EINDHOVEN, The Netherlands,
Telex 35000 phtcnl, Fax. +31-40-2724825

SCDS47

© Philips Electronics N.V. 1996

All rights are reserved. Reproduction in whole or in part is prohibited without the prior written consent of the copyright owner.

The information presented in this document does not form part of any quotation or contract, is believed to be accurate and reliable and may be changed without notice. No liability will be accepted by the publisher for any consequence of its use. Publication thereof does not convey nor imply any license under patent- or other industrial or intellectual property rights.

Printed in The Netherlands

533061/1100/02/pp12
Document order number:

Date of release: 1996 Jan 09
9397 750 00556