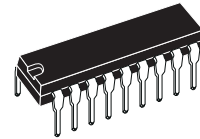


6W AUDIO AMPLIFIER WITH STAND-BY

- STAND-BY FUNCTION
- SUPPLY VOLTAGE RANGE UP TO 30V
- MUSIC POWER = 16W ($R_L = 4\Omega$, $d = 10\%$)
- THERMAL PROTECTION

DESCRIPTION

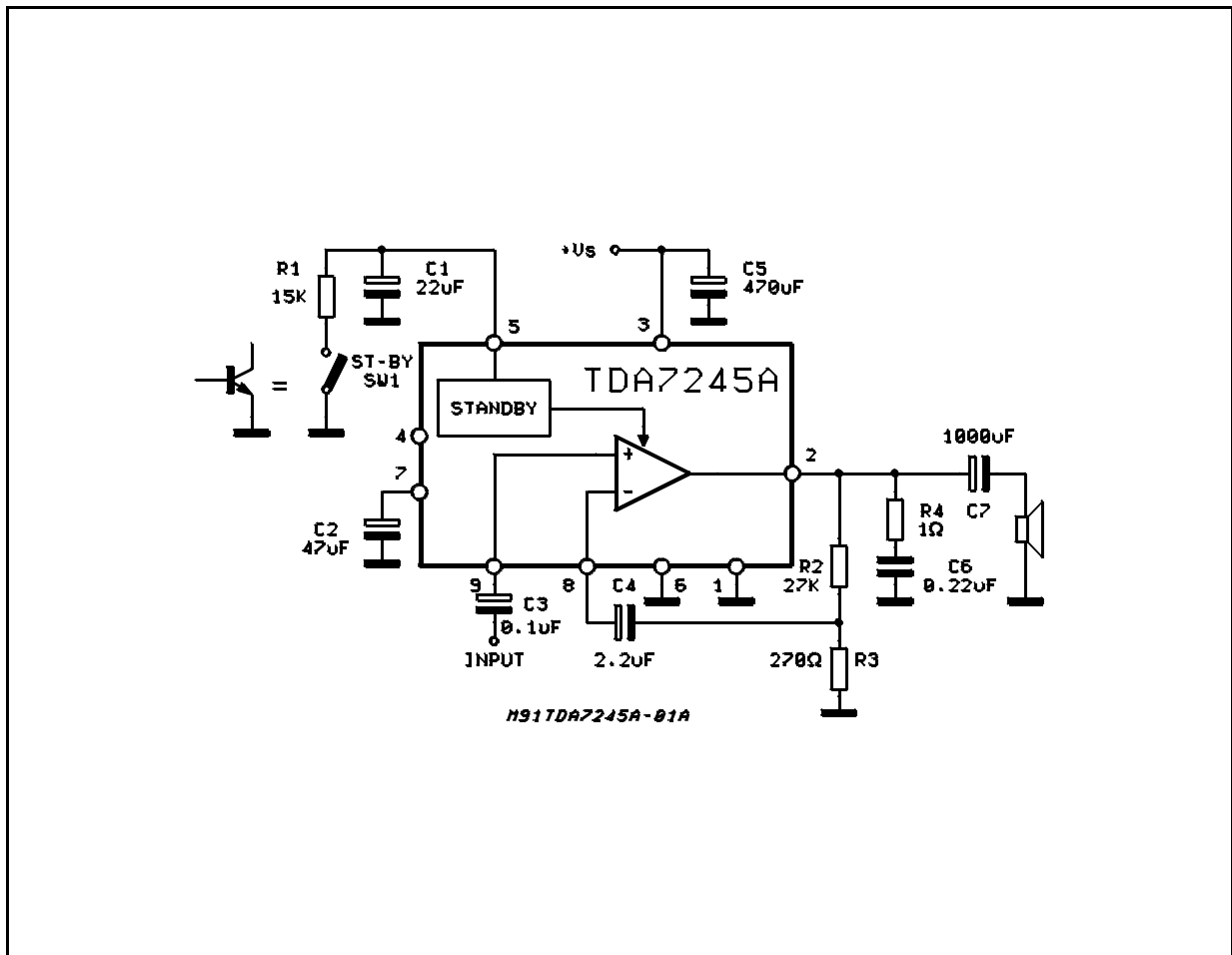
The TDA7245A is a monolithic integrated circuit in 9+9 POWERDIP package, intended for use as low frequency power amplifier in a wide range of applications in radio and TV sets.



Powerdip 9+9

ORDERING NUMBER: TDA7245A

Figure 1: Test and Application Circuit



TDA7245A

ABSOLUTE MAXIMUM RATINGS

Symbol	Parameter	Value	Unit
V_S	Supply Voltage	30	V
I_o	Output Peak Current (non repetitive $t = 100\mu s$)	3	A
I_o	Output Peak Current (repetitive, $f > 20Hz$)	2.5	A
P_{tot}	Power Dissipation at $T_{amb} = 80^\circ C$ at $T_{case} = 70^\circ C$	1 6	W W
T_{stg}, T_j	Storage and junction Temperature	-40 to 150	$^\circ C$

PIN CONNECTION (Top view)

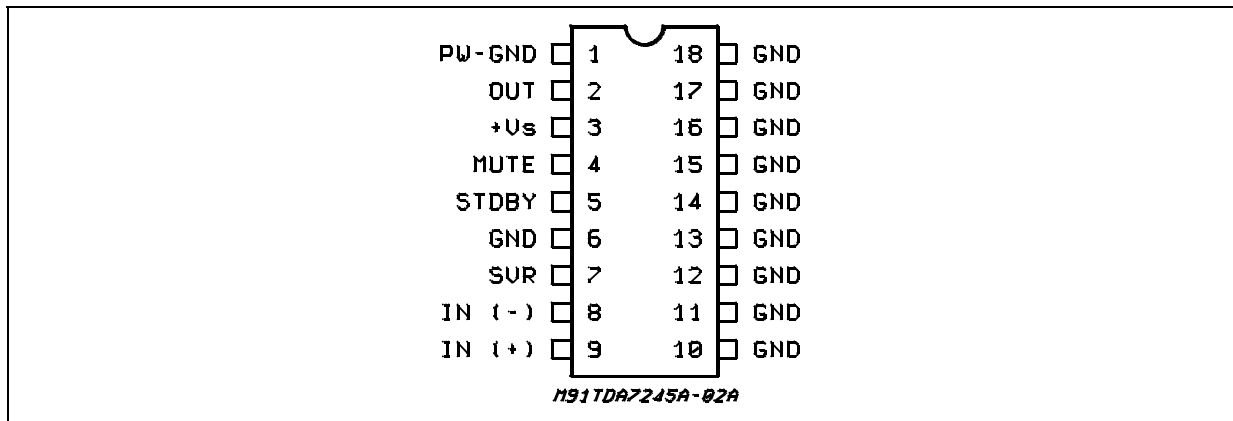
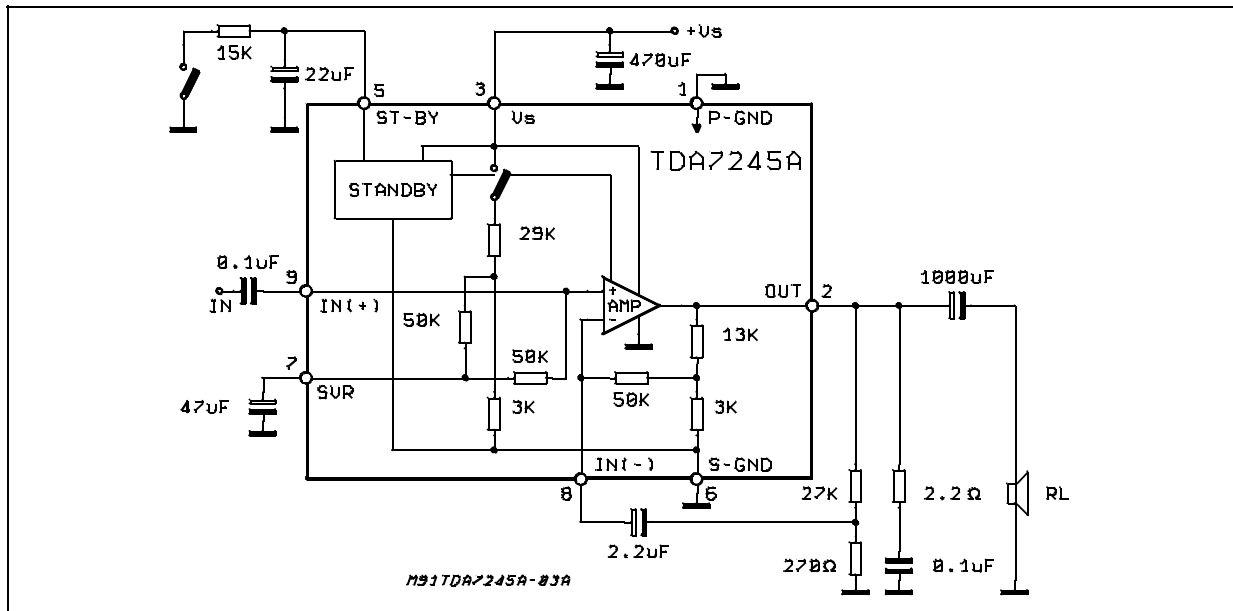


Figure 2: Schematic Diagram



THERMAL DATA

Symbol	Description	Value	Unit
$R_{th\ j-case}$	Thermal Resistance junction-case	Max 15	$^\circ C/W$
$R_{th\ j-amb}$	Thermal Resistance junction-ambient	Max 70	$^\circ C/W$

ELECTRICAL CHARACTERISTICS (Refer to the test circuit, $T_{amb} = 25^{\circ}\text{C}$, $V_S = 16.5\text{V}$, $R_L = 4\Omega$, $f = 1\text{kHz}$; unless otherwise specified).

Symbol	Parameter	Test Condition	Min.	Typ.	Max.	Unit
V_S	Supply Voltage		12		30	V
V_O	Quiescent Output Voltage	$V_S = 24\text{V}$		11.6		V
I_d	Quiescent Drain Current	$V_S = 28\text{V}$		24	35	mA
P_O	Output Power	$d = 1\%$ $V_S = 16.5\text{V}$, $R_L = 4\Omega$ $V_S = 20\text{V}$, $R_L = 8\Omega$ $d = 10\%$ $V_S = 16.5\text{V}$, $R_L = 4\Omega$ $V_S = 20\text{V}$, $R_L = 8\Omega$ Music Power (*) $V_S = 24\text{V}$, $d = 10\%$, $R_L = 4\Omega$	6.5	6 5 7.5 6.5 16		W W W W W
d	Harmonic Distortion	$P_O = 50\text{mW}$ to 4W $f = 1\text{KHz}$ $f = 10\text{KHz}$ $V_S = 20\text{V}$, $R_L = 8\Omega$, $P_O = 50\text{mW}$ to 3.5W $f = 1\text{KHz}$ $f = 10\text{KHz}$		0.15 0.8 0.12 0.5	0.5	% % % %
R_I	Input Impedance	$f = 1\text{kHz}$	30			$\text{K}\Omega$
BW	Small signal bandwidth (-3dB)	$P_O = 1\text{W}$	20 to 40,000			Hz
G_V	Voltage Gain (open loop)	$f = 1\text{KHz}$		75		dB
G_V	Voltage Gain (closed loop)	$f = 1\text{KHz}$	39	40	41	dB
e_N	Total Input Noise	$B = 22 - 22,000\text{Hz}$ $R_s = 50\Omega$ $R_s = 1\text{k}\Omega$ $R_s = 10\text{k}\Omega$		1.7 2 3	6	mV μV μV
S/N	Signal to Noise Ratio	$P_O = 5\text{W}$; $R_S = 10\text{K}\Omega$		86		dB
SVR	Supply Voltage Rejection	$V_S = 16.5\text{V}$; $R_L = 8\Omega$; $f = 100\text{Hz}$ $R_S = 10\text{k}\Omega$; $V_r = 0.5\text{Vrms}$	38	45		dB
T_{sd}	Thermal shut-down Junction Temperature			150		$^{\circ}\text{C}$

STAND-BY FUNCTION

Symbol	Parameter	Test Condition	Min.	Typ.	Max.	Unit
V_{st-by}	Pin 5 DC Voltage	SW1 Open (play)		6.4		V
I_{st-by}	Pin 5 Current	SW1 Closed (st-by)		160	280	μA
ATT_{st-by}	Stand-by Attenuation	$f = 1\text{kHz}$	70	90		dB
V_t	Stand-by Threshold (pin 5)			3.8		V
$I_{d\ st-by}$	Quiescent Current @ Stand-by			2	4	mA

Note (*):

MUSIC POWER CONCEPT

MUSIC POWER is (according to the IEC clauses n.268-3 of Jan 83) the maximal power which the amplifier is capable of producing across the rated load resistance (regardless of non linearity) 1 sec after the application of a sinusoidal input signal of frequency 1KHz.

According to this definition our method of measurement comprises the following steps:

- 1) Set the voltage supply at the maximum operating value -20%
- 2) Apply a input signal in the form of a 1KHz tone burst of 1 sec duration; the repetition period of the signal pulses is > 60 sec
- 3) The output voltage is measured 1 sec from the start of the pulse
- 4) Increase the input voltage until the output signal show a THD = 10%
- 5) The music power is then V_{out}^2/R_1 , where V_{out} is the output voltage measured in the condition of point 4) and R_1 is the rated load impedance

The target of this method is to avoid excessive dissipation in the amplifier.

Figure 3: Output Power vs. Supply Voltage

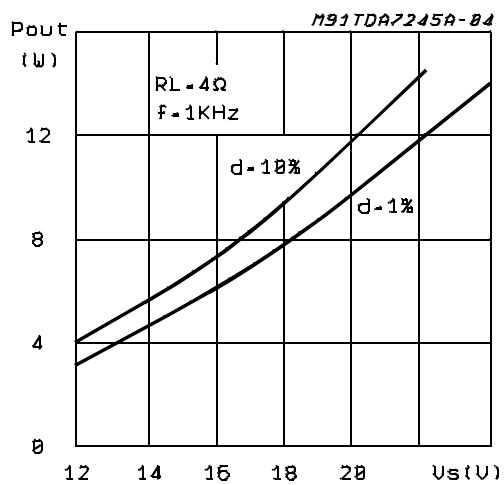
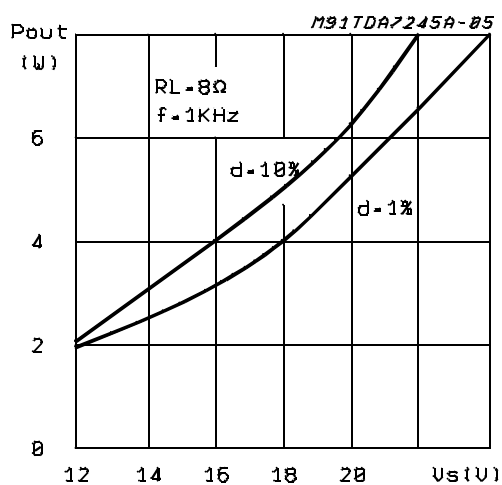
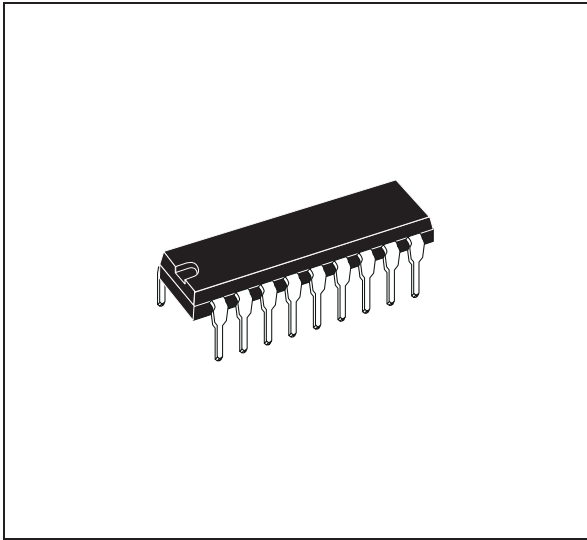


Figure 4: Output Power vs. Supply Voltage

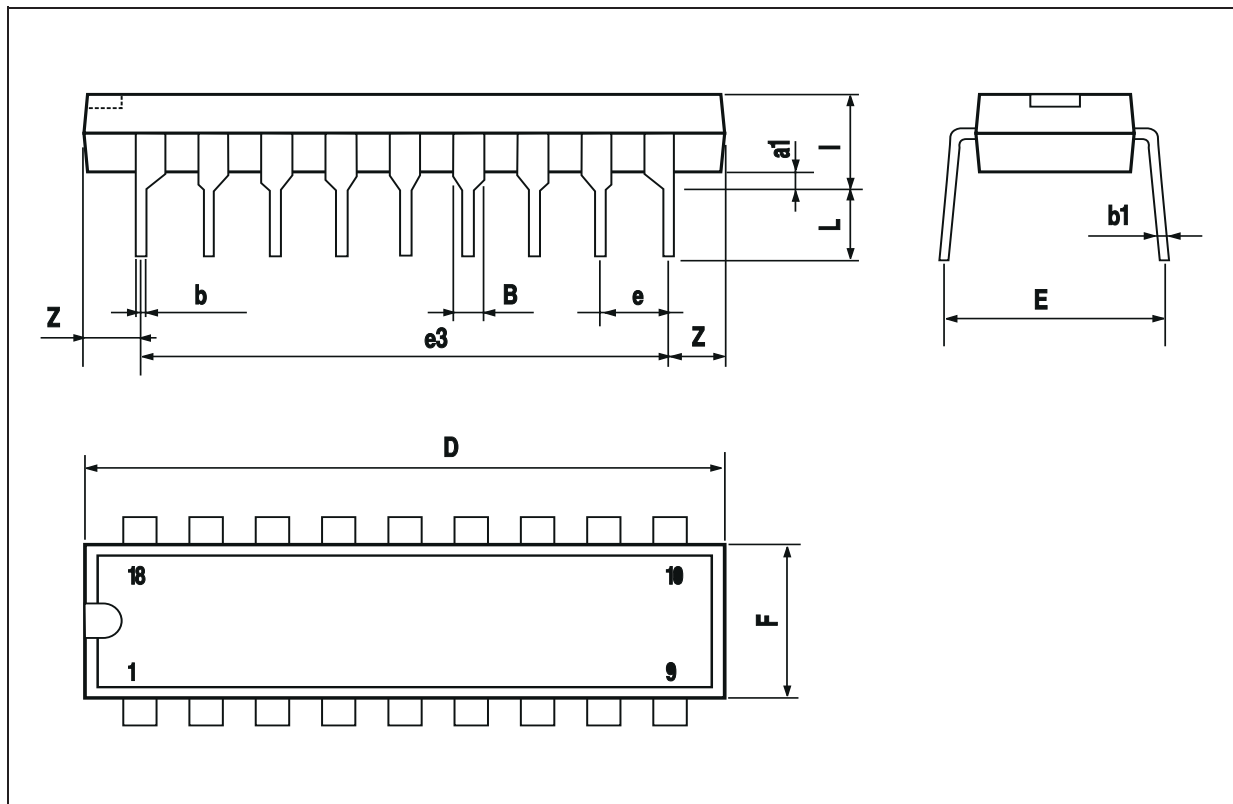


DIM.	mm			inch		
	MIN.	TYP.	MAX.	MIN.	TYP.	MAX.
a1	0.51			0.020		
B	0.85		1.40	0.033		0.055
b		0.50			0.020	
b1	0.38		0.50	0.015		0.020
D			24.80			0.976
E		8.80			0.346	
e		2.54			0.100	
e3		20.32			0.800	
F			7.10			0.280
I			5.10			0.201
L		3.30			0.130	
Z			2.54			0.100

OUTLINE AND MECHANICAL DATA



Powerdip 18



Information furnished is believed to be accurate and reliable. However, STMicroelectronics assumes no responsibility for the consequences of use of such information nor for any infringement of patents or other rights of third parties which may result from its use. No license is granted by implication or otherwise under any patent or patent rights of STMicroelectronics. Specifications mentioned in this publication are subject to change without notice. This publication supersedes and replaces all information previously supplied. STMicroelectronics products are not authorized for use as critical components in life support devices or systems without express written approval of STMicroelectronics.

The ST logo is a registered trademark of STMicroelectronics.
All other names are the property of their respective owners

© 2003 STMicroelectronics - All rights reserved

STMicroelectronics GROUP OF COMPANIES

Australia – Belgium - Brazil - Canada - China – Czech Republic - Finland - France - Germany - Hong Kong - India - Israel - Italy - Japan -
Malaysia - Malta - Morocco - Singapore - Spain - Sweden - Switzerland - United Kingdom - United States

www.st.com