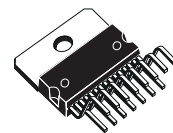


## 70V - 60W DMOS AUDIO AMPLIFIER WITH MUTE/ST-BY

- VERY HIGH OPERATING VOLTAGE RANGE ( $\pm 35V$ )
- DMOS POWER STAGE
- HIGH OUTPUT POWER (THD = 10%, UP TO 60W)
- MUTING/STAND-BY FUNCTIONS
- NO SWITCH ON/OFF NOISE
- VERY LOW DISTORTION
- VERY LOW NOISE
- SHORT CIRCUIT PROTECTION
- THERMAL SHUTDOWN
- CLIP DETECTOR
- MODULARITY (MORE DEVICES CAN BE EASILY CONNECTED IN PARALLEL TO DRIVE VERY LOW IMPEDANCES)

### MULTIPOWER BCD TECHNOLOGY



**Multiwatt15**

**ORDERING NUMBER: TDA7296S**

class TV). Thanks to the wide voltage range and to the high out current capability it is able to supply the highest power into both 4 $\Omega$  and 8 $\Omega$  loads.

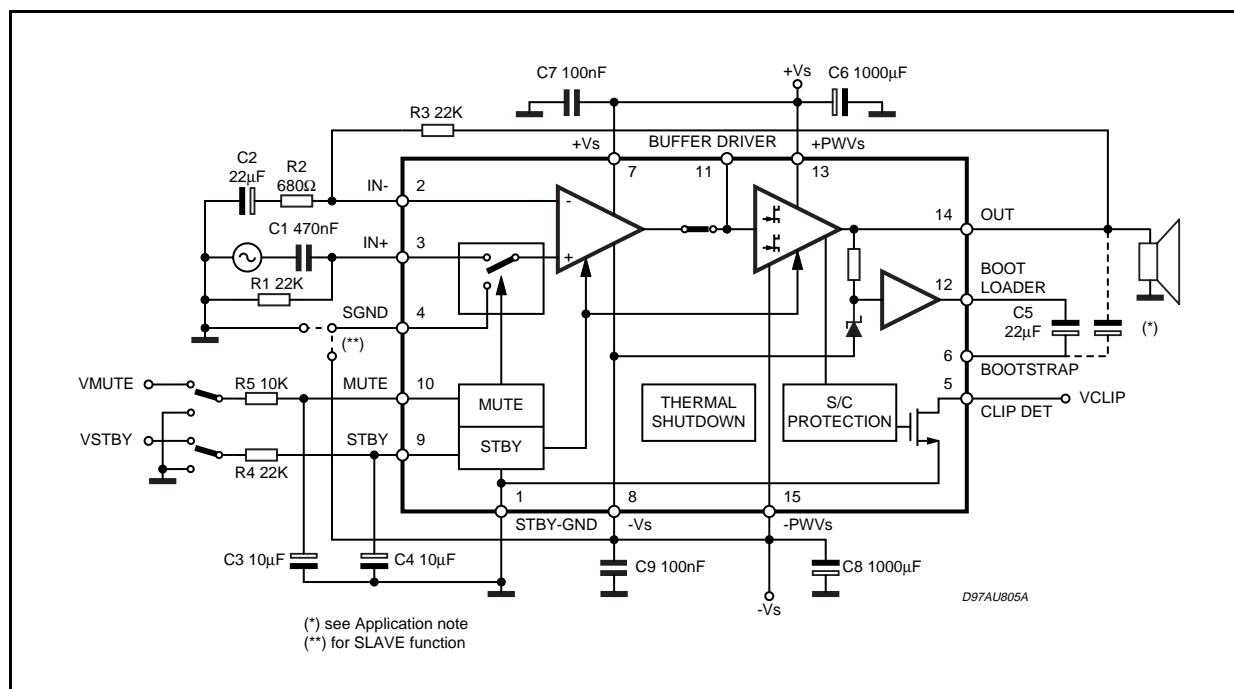
The built in muting function with turn on delay simplifies the remote operation avoiding switching on-off noises.

Parallel mode is made possible by connecting more device through of pin11. High output power can be delivered to very low impedance loads, so optimizing the thermal dissipation of the system.

### DESCRIPTION

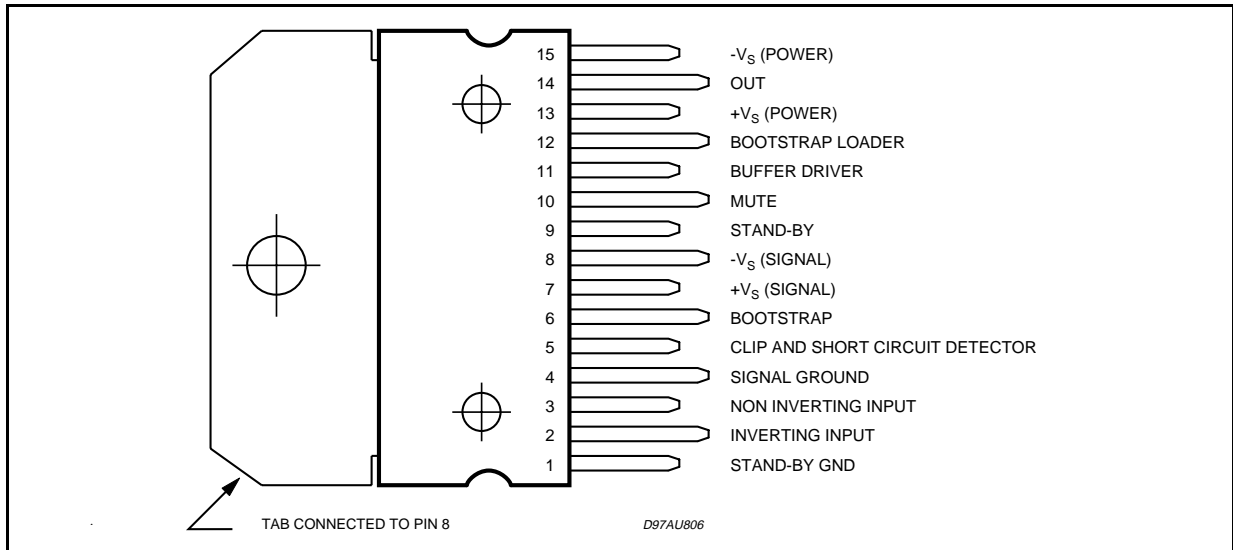
The TDA7296S is a monolithic integrated circuit in Multiwatt15 package, intended for use as audio class AB amplifier in Hi-Fi field applications (Home Stereo, self powered loudspeakers, Top-

**Figure 1: Typical Application and Test Circuit**



# TDA7296S

## PIN CONNECTION (Top view)



## QUICK REFERENCE DATA

Symbol	Parameter	Test Conditions	Min.	Typ.	Max.	Unit
V <sub>S</sub>	Supply Voltage Operating		±12		æ 35	V
G <sub>LOOP</sub>	Closed Loop Gain		26		45	dB
P <sub>tot</sub>	Output Power	V <sub>S</sub> = ±30V; R <sub>L</sub> = 8Ω; THD = 10%		60		W
		V <sub>S</sub> = ±25V; R <sub>L</sub> = 4Ω; THD = 10%		60		W
SVR	Supply Voltage Rejection			75		dB

## ABSOLUTE MAXIMUM RATINGS

Symbol	Parameter	Value	Unit
V <sub>S</sub>	Supply Voltage (No Signal)	±35	V
V <sub>1</sub>	V <sub>STAND-BY GND</sub> Voltage Referred to -V <sub>S</sub> (pin 8)	60	V
V <sub>2</sub>	Input Voltage (inverting) Referred to -V <sub>S</sub>	60	V
V <sub>2</sub> - V <sub>3</sub>	Maximum Differential Inputs	±30	V
V <sub>3</sub>	Input Voltage (non inverting) Referred to -V <sub>S</sub>	60	V
V <sub>4</sub>	Signal GND Voltage Referred to -V <sub>S</sub>	60	V
V <sub>5</sub>	Clip Detector Voltage Referred to -V <sub>S</sub>	60	V
V <sub>6</sub>	Bootstrap Voltage Referred to -V <sub>S</sub>	60	V
V <sub>9</sub>	Stand-by Voltage Referred to -V <sub>S</sub>	60	V
V <sub>10</sub>	Mute Voltage Referred to -V <sub>S</sub>	60	V
V <sub>11</sub>	Buffer Voltage Referred to -V <sub>S</sub>	60	V
V <sub>12</sub>	Bootstrap Loader Voltage Referred to -V <sub>S</sub>	60	V
I <sub>O</sub>	Output Peak Current	10	A
P <sub>tot</sub>	Power Dissipation T <sub>case</sub> = 70°C	50	W
T <sub>op</sub>	Operating Ambient Temperature Range	0 to 70	°C
T <sub>stg</sub> , T <sub>j</sub>	Storage and Junction Temperature	150	°C

## THERMAL DATA

Symbol	Description	Typ	Max	Unit
R <sub>th j-case</sub>	Thermal Resistance Junction-case	1	1.5	°C/W

**ELECTRICAL CHARACTERISTICS** (Refer to the Test Circuit  $V_S = \pm 24V$ ,  $R_L = 8\Omega$ ,  $G_V = 30dB$ ;  $R_g = 50\Omega$ ;  $T_{amb} = 25^\circ C$ ,  $f = 1\text{ kHz}$ ; unless otherwise specified).

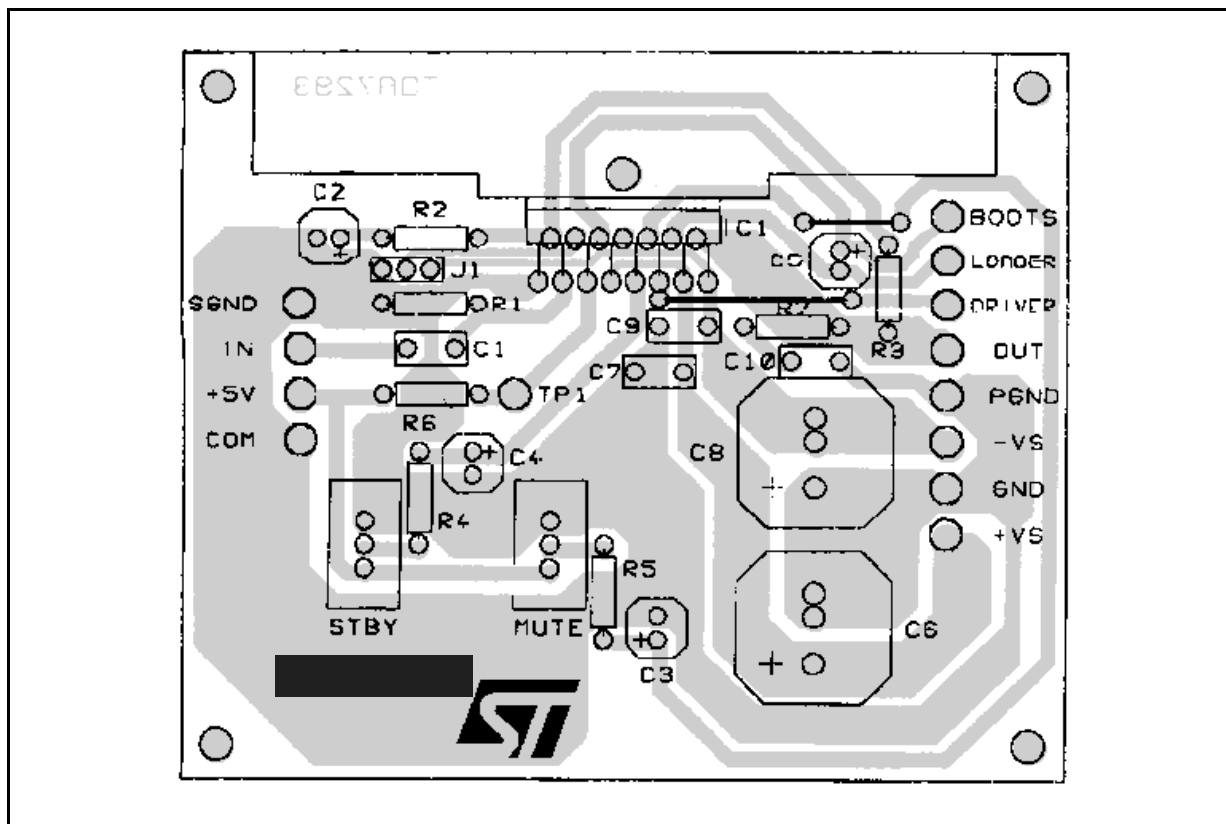
Symbol	Parameter	Test Condition	Min.	Typ.	Max.	Unit
$V_S$	Operating Supply Range		$\pm 10$		$\pm 35$	V
$I_q$	Quiescent Current		20	30	65	mA
$I_b$	Input Bias Current				500	nA
$V_{OS}$	Input Offset Voltage				$\pm 10$	mV
$I_{OS}$	Input Offset Current				$\pm 100$	nA
$P_O$	RMS Continuous Output Power	$d = 0.5\%$ ; $V_S = \pm 24V$ , $R_L = 8\Omega$ $V_S = \pm 21V$ , $R_L = 6\Omega$ $V_S = \pm 18V$ , $R_L = 4\Omega$	27 27 27	30 30 30		W W W
	Music Power (RMS) (*) $\Delta t = 1s$	$d = 10\%$ ; $R_L = 8\Omega$ ; $V_S = \pm 30V$ $R_L = 6\Omega$ ; $V_S = \pm 24V$ $R_L = 4\Omega$ ; $V_S = \pm 23V$		60 60 60		W W W
d	Total Harmonic Distortion (**)	$P_O = 5W$ ; $f = 1kHz$ $P_O = 0.1$ to $20W$ ; $f = 20Hz$ to $20kHz$		0.005	0.1	% %
		$V_S = \pm 18V$ , $R_L = 4\Omega$ ; $P_O = 5W$ ; $f = 1kHz$ $P_O = 0.1$ to $20W$ ; $f = 20Hz$ to $20kHz$		0.01	0.1	% %
SR	Slew Rate		7	10		V/ $\mu s$
$G_V$	Open Loop Voltage Gain			80		dB
$G_V$	Closed Loop Voltage Gain		26	30	45	dB
$e_N$	Total Input Noise	A = curve $f = 20Hz$ to $20kHz$		1 2	5	$\mu V$ $\mu V$
$f_L, f_H$	Frequency Response (-3dB)	$P_O = 1W$	20Hz to 20kHz			
$R_i$	Input Resistance		100			k $\Omega$
SVR	Supply Voltage Rejection	$f = 100Hz$ ; $V_{ripple} = 0.5V_{rms}$	60	75		dB
$T_S$	Thermal Shutdown			150		$^\circ C$
<b>STAND-BY FUNCTION (Ref: <math>-V_S</math> or GND)</b>						
$V_{ST\ on}$	Stand-by on Threshold				1.5	V
$V_{ST\ off}$	Stand-by off Threshold		3.5			V
$ATT_{st-by}$	Stand-by Attenuation		70	90		dB
$I_{q\ st-by}$	Quiescent Current @ Stand-by			1	3	mA
<b>MUTE FUNCTION (Ref: <math>-V_S</math> or GND)</b>						
$V_{Mon}$	Mute on Threshold				1.5	V
$V_{Moff}$	Mute off Threshold		3.5			V
$ATT_{mute}$	Mute Attenuation		60	80		dB

**Note (\*\*):**

MUSIC POWER is the maximal power which the amplifier is capable of producing across the rated load resistance (regardless of non linearity) 1 sec after the application of a sinusoidal input signal of frequency 1KHz.

**Note (\*\*):** Tested with optimized Application Board (see fig. 2)

Figure 2: Typical Application P.C. Board and Component Layout (scale 1:1)



**APPLICATION SUGGESTIONS** (see Test and Application Circuits of the Fig. 1)

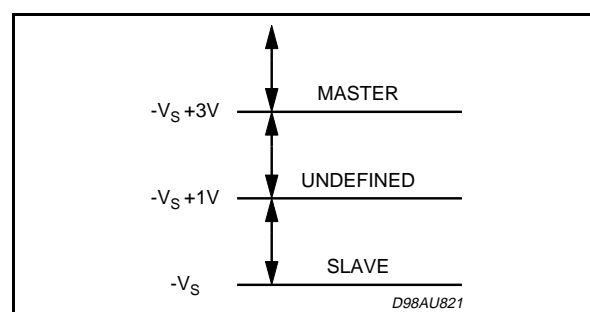
The recommended values of the external components are those shown on the application circuit of Figure 1. Different values can be used; the following table can help the designer.

COMPONENTS	SUGGESTED VALUE	PURPOSE	LARGER THAN SUGGESTED	SMALLER THAN SUGGESTED
R1 (*)	22k	INPUT RESISTANCE	INCREASE INPUT IMPEDANCE	DECREASE INPUT IMPEDANCE
R2	680 $\Omega$	CLOSED LOOP GAIN SET TO 30dB (**)	DECREASE OF GAIN	INCREASE OF GAIN
R3 (*)	22k		INCREASE OF GAIN	DECREASE OF GAIN
R4	22k	ST-BY TIME CONSTANT	LARGER ST-BY ON/OFF TIME	SMALLER ST-BY ON/OFF TIME; POP NOISE
R5	10k	MUTE TIME CONSTANT	LARGER MUTE ON/OFF TIME	SMALLER MUTE ON/OFF TIME
C1	0.47 $\mu$ F	INPUT DC DECOUPLING		HIGHER LOW FREQUENCY CUTOFF
C2	22 $\mu$ F	FEEDBACK DC DECOUPLING		HIGHER LOW FREQUENCY CUTOFF
C3	10 $\mu$ F	MUTE TIME CONSTANT	LARGER MUTE ON/OFF TIME	SMALLER MUTE ON/OFF TIME
C4	10 $\mu$ F	ST-BY TIME CONSTANT	LARGER ST-BY ON/OFF TIME	SMALLER ST-BY ON/OFF TIME; POP NOISE
C5	22 $\mu$ FXN (***)	BOOTSTRAPPING		SIGNAL DEGRADATION AT LOW FREQUENCY
C6, C8	1000 $\mu$ F	SUPPLY VOLTAGE BYPASS		
C7, C9	0.1 $\mu$ F	SUPPLY VOLTAGE BYPASS		DANGER OF OSCILLATION

(\*) R1 = R3 for pop optimization

(\*\*) Closed Loop Gain has to be  $\geq 26$ dB

(\*\*\*) Multiply this value for the number of modular part connected

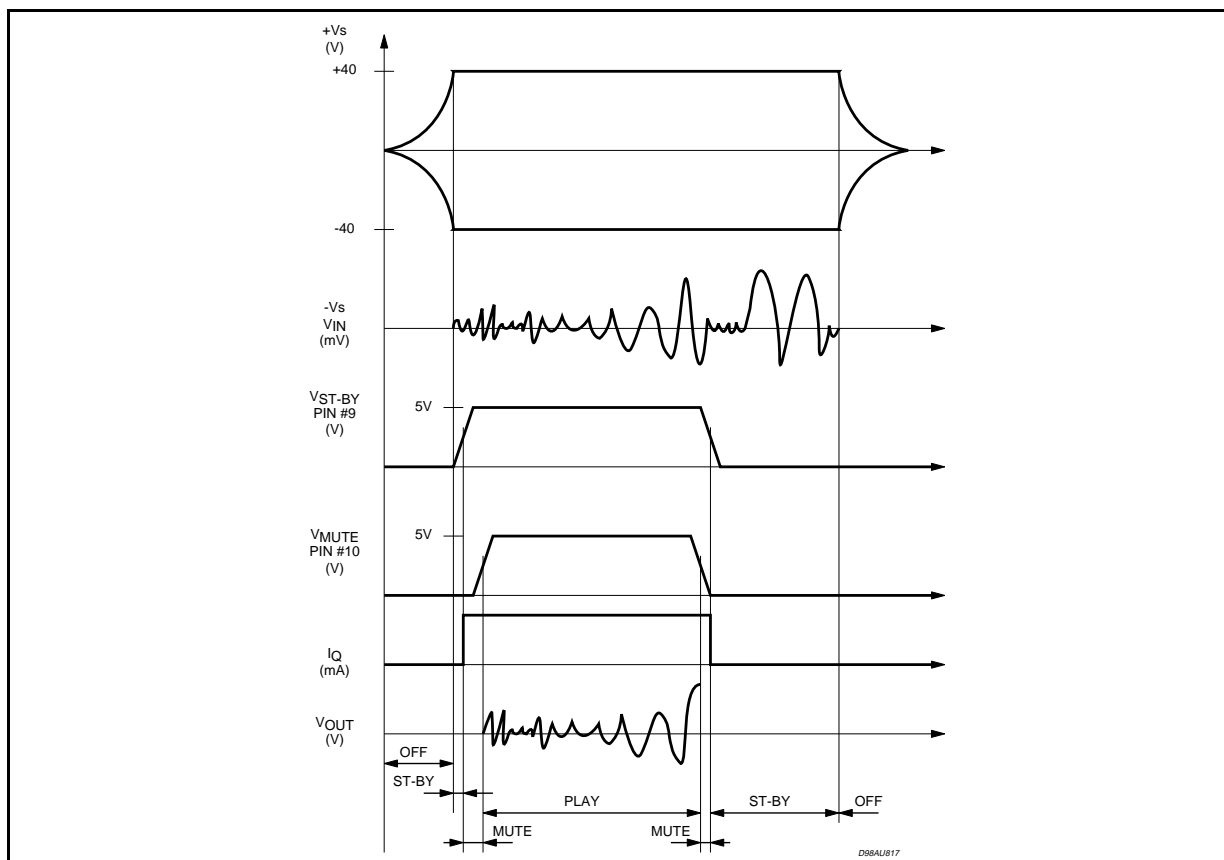
**Slave function: pin 4 (Ref to pin 8 -V<sub>S</sub>)****Note:**

If in the application, the speakers are connected via long wires, it is a good rule to add between the output and GND, a Boucherot Cell, in order to avoid dangerous spurious oscillations when the speakers terminal are shorted.

The suggested Boucherot Resistor is 3.9 $\Omega$ /2W and the capacitor is 1 $\mu$ F.



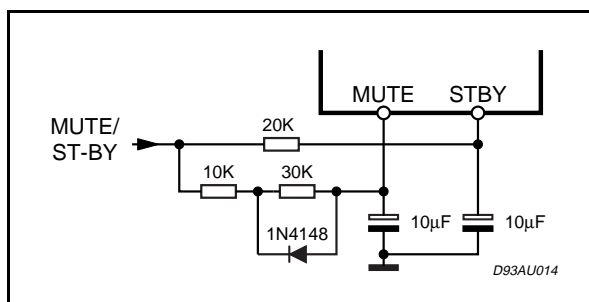
Figure 4: Turn ON/OFF Suggested Sequence



above, the device features a thermal shutdown circuit which initially puts the device into a muting state (@  $T_j = 150^\circ\text{C}$ ) and then into stand-by (@  $T_j = 160^\circ\text{C}$ ).

Full protection against electrostatic discharges on every pin is included.

Figure 5: Single Signal ST-BY/MUTE Control Circuit



### 3) Other Features

The device is provided with both stand-by and mute functions, independently driven by two CMOS logic compatible input pins.

The circuits dedicated to the switching on and off of the amplifier have been carefully optimized to



avoid any kind of uncontrolled audible transient at the output.

The sequence that we recommend during the ON/OFF transients is shown by Figure 4.

The application of figure 5 shows the possibility of using only one command for both st-by and mute functions. On both the pins, the maximum applicable range corresponds to the operating supply voltage.

## APPLICATION INFORMATION

### BRIDGE APPLICATION

Another application suggestion is the BRIDGE configuration, where two TDA7296S are used.

In this application, the value of the load must not be lower than 8 Ohm for dissipation and current capability reasons.

A suitable field of application includes HI-FI/TV subwoofers realizations.

The main advantages offered by this solution are:

- High power performances with limited supply voltage level.
- Considerably high output power even with high load values (i.e. 16 Ohm).

With  $R_L = 8\ \Omega$ ,  $V_s = \pm 23\text{V}$  the maximum output power obtainable is 120W (Music Power)

**APPLICATION NOTE:** (ref. fig. 7)

**Modular Application (more Devices in Parallel)**

The use of the modular application lets very high power be delivered to very low impedance loads. The modular application implies one device to act as a master and the others as slaves.

The slave power stages are driven by the master device and work in parallel all together, while the input and the gain stages of the slave device are disabled, the figure below shows the connections required to configure two devices to work together.

- The master chip connections are the same as the normal single ones.
- The outputs can be connected together **without the need of any ballast resistance.**

- The slave SGND pin must be tied to the negative supply.
- The slave ST-BY pin must be connected to ST-BY pin.
- The bootstrap lines must be connected together and the bootstrap capacitor must be increased: for N devices the bootstrap capacitor must be 22μF times N.
- The slave Mute and IN-pins must be grounded.

**THE BOOTSTRAP CAPACITOR**

For compatibility purpose with the previous devices of the family, the bootstrap capacitor can be connected both between the bootstrap pin (6) and the output pin (14) or between the bootstrap pin (6) and the bootstrap loader pin (12).

**Figure 6:** Modular Application Circuit

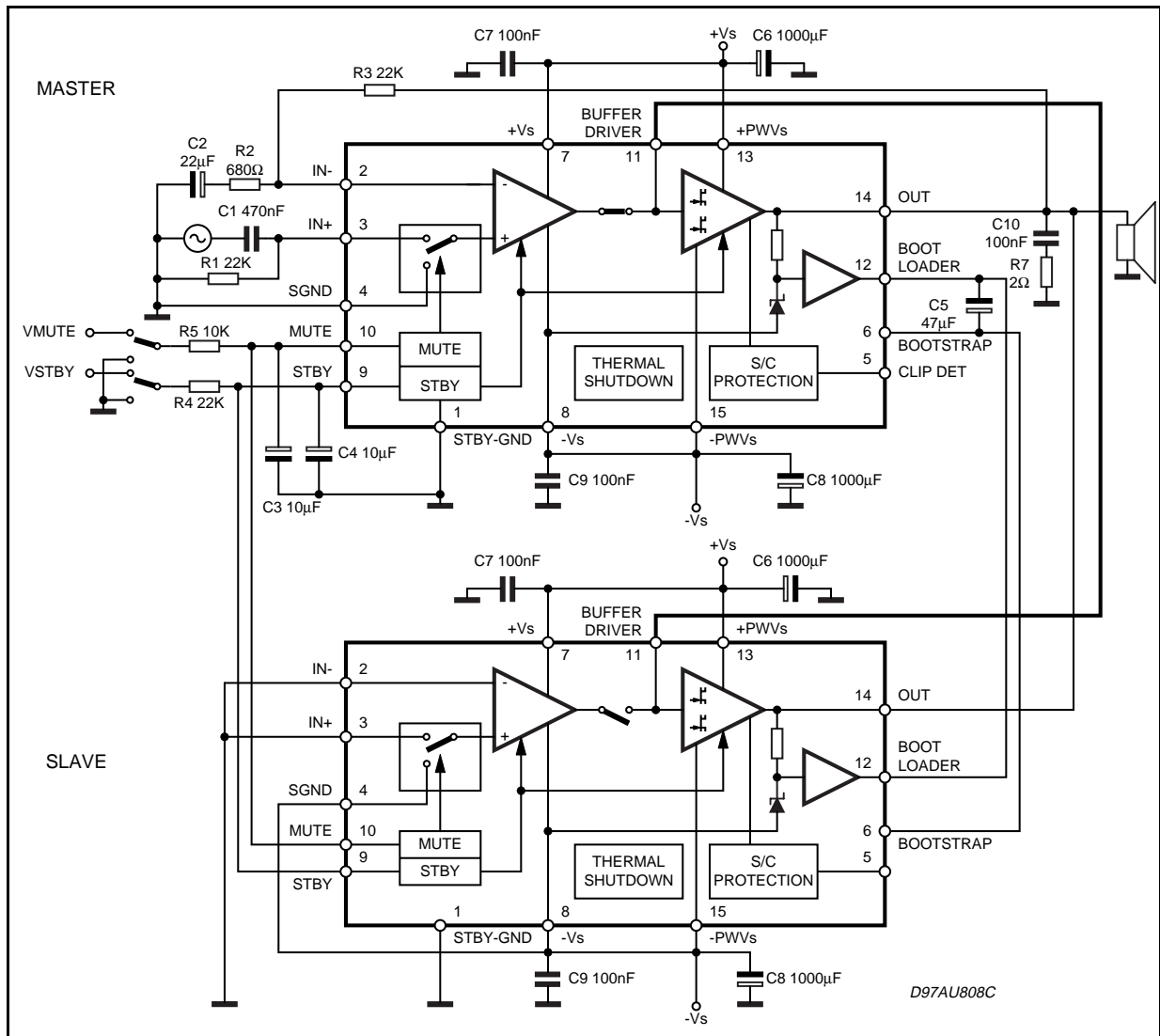




Figure 7a: Modular Application P.C. Board and Component Layout (scale 1:1) (Component SIDE)

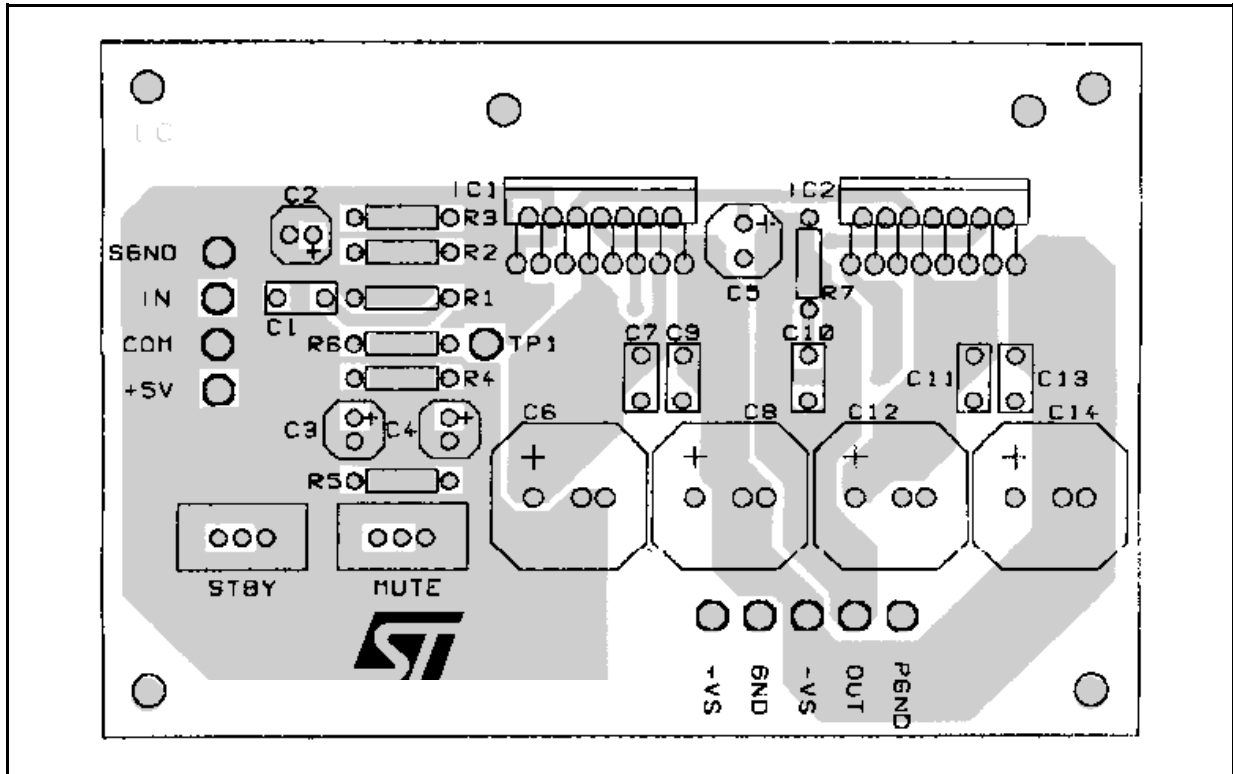
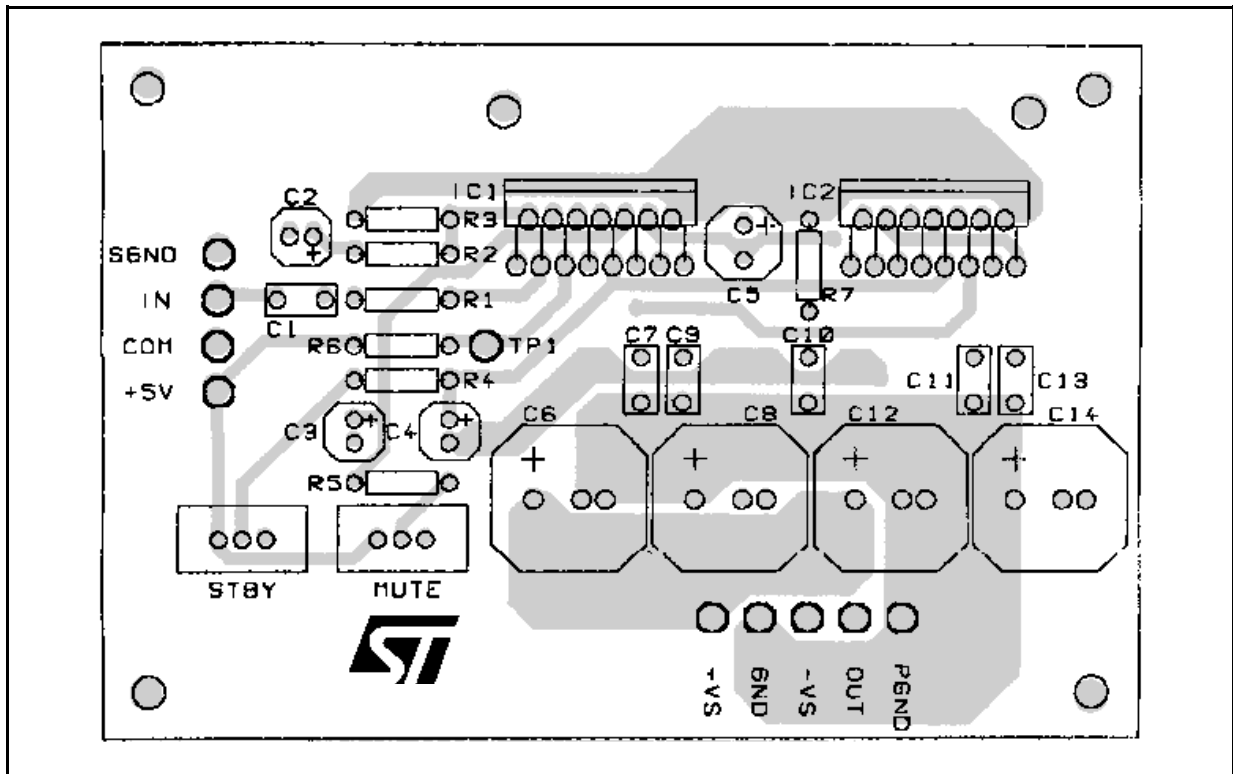
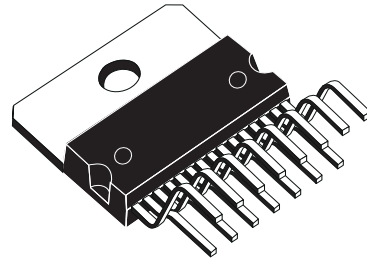


Figure 7b: Modular Application P.C. Board and Component Layout (scale 1:1) (Solder SIDE)

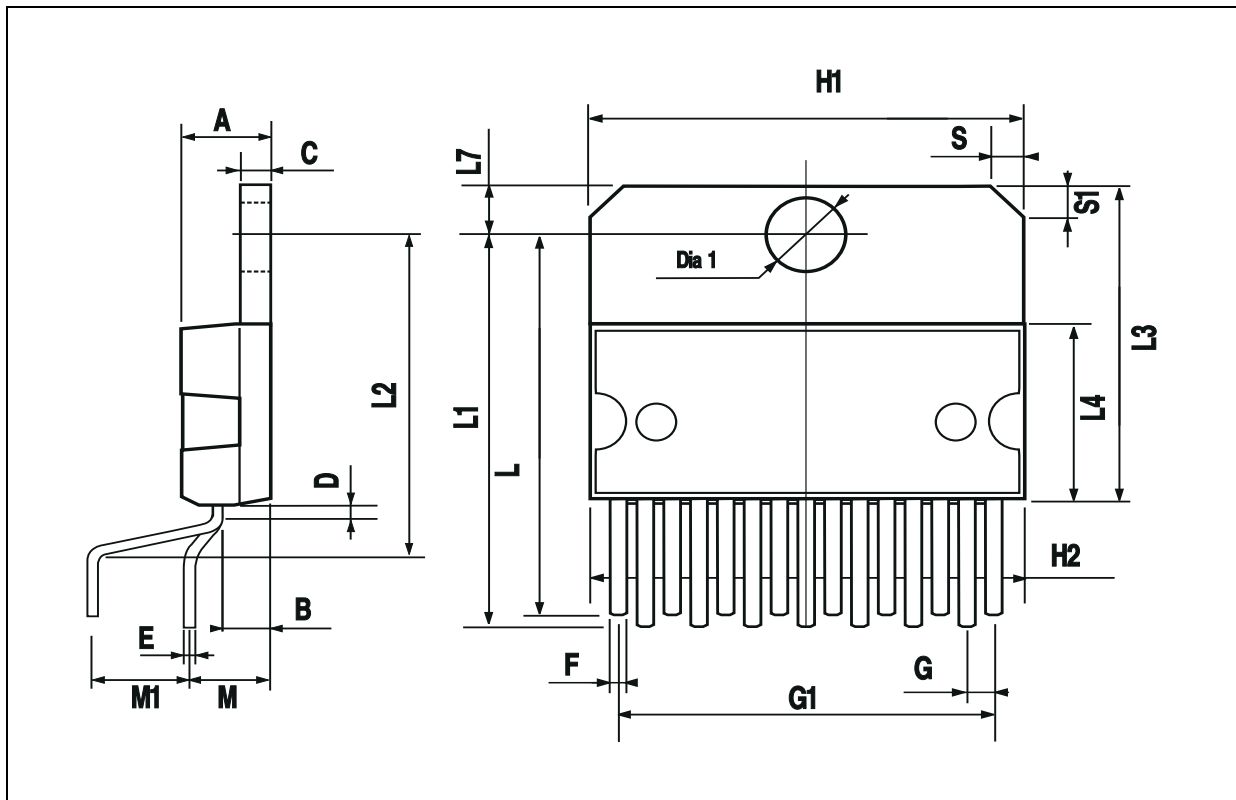


DIM.	mm			inch		
	MIN.	TYP.	MAX.	MIN.	TYP.	MAX.
A			5			0.197
B			2.65			0.104
C			1.6			0.063
D		1			0.039	
E	0.49		0.55	0.019		0.022
F	0.66		0.75	0.026		0.030
G	1.02	1.27	1.52	0.040	0.050	0.060
G1	17.53	17.78	18.03	0.690	0.700	0.710
H1	19.6			0.772		
H2			20.2			0.795
L	21.9	22.2	22.5	0.862	0.874	0.886
L1	21.7	22.1	22.5	0.854	0.870	0.886
L2	17.65		18.1	0.695		0.713
L3	17.25	17.5	17.75	0.679	0.689	0.699
L4	10.3	10.7	10.9	0.406	0.421	0.429
L7	2.65		2.9	0.104		0.114
M	4.25	4.55	4.85	0.167	0.179	0.191
M1	4.63	5.08	5.53	0.182	0.200	0.218
S	1.9		2.6	0.075		0.102
S1	1.9		2.6	0.075		0.102
Dia1	3.65		3.85	0.144		0.152

**OUTLINE AND MECHANICAL DATA**



**Multiwatt15 V**



Information furnished is believed to be accurate and reliable. However, STMicroelectronics assumes no responsibility for the consequences of use of such information nor for any infringement of patents or other rights of third parties which may result from its use. No license is granted by implication or otherwise under any patent or patent rights of STMicroelectronics. Specification mentioned in this publication are subject to change without notice. This publication supersedes and replaces all information previously supplied. STMicroelectronics products are not authorized for use as critical components in life support devices or systems without express written approval of STMicroelectronics.

The ST logo is a registered trademark of STMicroelectronics

© 2003 STMicroelectronics – Printed in Italy – All Rights Reserved

STMicroelectronics GROUP OF COMPANIES

Australia - Brazil - Canada - China - Finland - France - Germany - Hong Kong - India - Israel - Italy - Japan - Malaysia - Malta - Morocco - Singapore - Spain - Sweden - Switzerland - United Kingdom - United States.

<http://www.st.com>