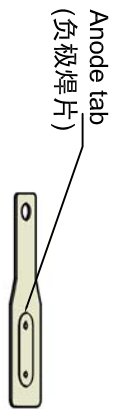


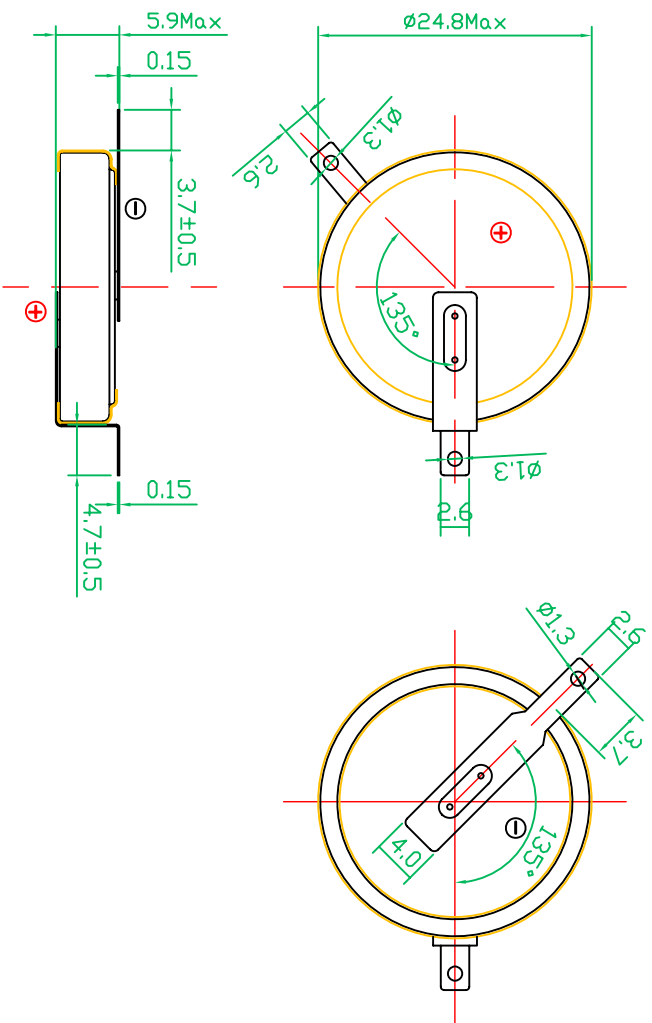
(Scale: 2 : 1)



Yellow(黄色)
PVC

Cell(电芯):CR2450
550mAh

Cathode tab
(正极焊片)



Remark(备注):

1. Cell(电芯): Button, Yellow PVC, with date code(扣式, 包黄色 PVC, 表面喷码)
2. Cathode/Anode tab: Stainless steel plated with nickel
正/负极焊片材质: 不锈钢镀镍
3. RoHS Compliant
严格按照ROHS要求生产

<p>EEMB BATTERY</p>		Drawn:	Lijeyong	Revise No.:	E4-2009
		Checked 1:	Coco	Projection:	
Title	CR2450-ABY2	Checked 2:		Page:	1/1
File NO.	A07847	Approved:		Scale:	1.5: 1
		Draw Date:	2013/03/30	Unit:	mm