

Product Specifications

Model number: JM-HC008

Products name: Aluminum RF Pixel light controller



Product Description

This is a RF Wireless Pixel light controller, For Pixel led strips, Led module, etc... 133 dynamic and chasing modes. It got RJ45 signal input and output to make more same controllers to be synchronized control. Memory IC chip inside to make sure it will remember the last status even you turn off the controller or switch off the power.

Technical Parameters

Working temperature: -20-60°C

Supply voltage: DC5V,DC12~24V

Current: <60mA

External dimension: L122xW71xH24mm

Packing size: L137*W80*H55mm

Net weight: 180g

Gross weight:270g

Dynamic and Chasing Modes:133

Suggest Control Pixels: 1024

Maximum control pixels: 2048 (The Controller will be unresponsive when it load more than 1200pixels)

Controlled IC Model: 2811/2812/1903/6803...etc

External Dimension

(Controller)



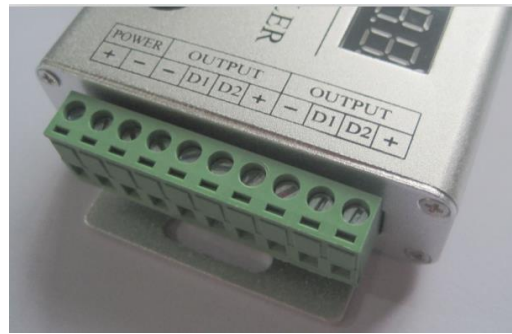
(Remote control)



Connector details



Power input option 1: Adopt DC plug 5.5*2.1
Signal Connector: RJ45



Power input option 2: Green terminal
LED Load output: Green terminal*2

Guidance:

1. Connect the load cables first, and then the power supply. (*Make sure no short circuit or wrong cable sequence before switch on the power supply)
2. We need to set the control points before using it:
 - a. Turn off the controller, the digital tube will light off.
 - b. Press Up and Down buttons at the same time, the digital tube will show you numbers.
 - c. Press Up or Down to set the control pixels you got.
 - d. Turn off the controller to save it.
3. Now you can use the controller.
4. Buttons on the controller functions as below:



On/off: Turn On/Off the controller

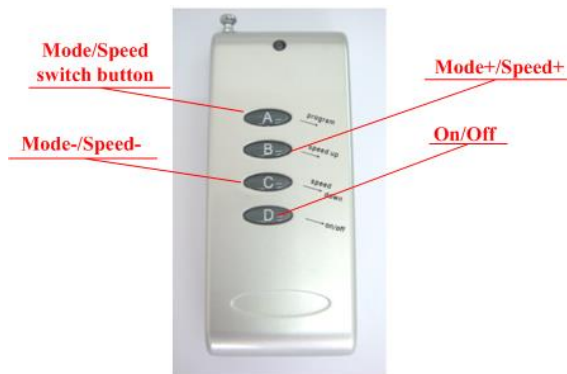
Mode/Speed: Switch Mode and Speed Function.(H:mode situation, S: speed situation.)

Up: Mode + in Mode situation, Speed + in Speed situation.

Down: Mode - in Mode situation, Speed - in Speed situation.

Remarks: The indicator will light red when you turn on the controller. The indicator will flash when you press any buttons.

5. Remote Functions as below:



On/off: Turn On/Off the controller

Mode/Speed: Switch Mode and Speed Function.(H:mode situation, S: speed situation.)

Up: Mode + in Mode situation, Speed + in Speed situation.

Down: Mode - in Mode situation, Speed - in Speed situation.

Remarks: The indicator will light red when you turn on the controller. The indicator will flash when you press any buttons.

Synchronous Control:

1. With RJ45 Signal input and output, you can use Ethernet cable to connect all controllers in series.
For example: use one side of Ethernet cable to connect the first controller's output Signal connector, another side to connect second controller's input Signal connector, controller next to the same steps,,,go on and on
2. Control the first one, then the rest controllers' effect will show the same.
Tips: Turn on the first one won't wake up the other controllers, you need to change the mode to wake up other controllers.

Mode 133th DIY Function: You can add 20 dynamic Scenes into Mode 133th, Mode 133th will auto-cycle all the 20 Scenes.

Mode 133th DIY Guidance:

1. Press "On/Off" to Turn off the controller first, the digital tube will light off.
2. Press "Mode/Speed" and "Up" button at the same time, the digital tube will show you "-01-", it got 20 numbers , Up and Down to change the number, every number means a scene.
3. Press "Mode/Speed" to select scene or Mode or Speed, "-XX-" means scene number, "Hxxx" means dynamic modes number, "Sxxx" means Speed number. Up and Down to change the numbers in Corresponding situation.
4. Turn off the controller to save the DIY.

For example:

1. scene 1 with "Mode 3 and speed 50"
 - a. Press "On/Off" to turn off the controller first, the digital tube will light off.
 - b. Press "Mode/Speed" and "Up" button at the same time, the digital tube will show you "-01-", Press "Up" button

- to select"-03-"
- c. Press "Mode/Speed" button to select Modes, when the digital tube shows "Hxxx", then press"Up" or "Down" to select number"H003"
 - d. Press "Mode/Speed" button to select Speed, when the digital tube shows"Sxxx", then press "Up" or "Down" to select number"S050"
 - e. Press "On/Off" to turn off the controller to save it.
2. Scene 4 with "Mode 100 and speed 1"
- a. Press "On/Off" to turn off the controller first, the digital tube will light off.
 - b. Press "Mode/Speed" and "Up" button at the same time, the digital tube will show you"-01-", Press "Up" button to select"-4-"
 - c. Press "Mode/Speed" button to select Modes, when the digital tube shows "Hxxx", then press "Up" or "Down" to select number"H100"
 - d. Press "Mode/Speed" button to select Speed, when the digital tube shows "Sxxx", then press "Up" or "Down" to select number"S001"
 - e. Press "On/Off" to turn off the controller to save it.

Standard Color changing modes as follows:

NO.	Function Description	NO.	Function Description
1	Static red	2	Static green
3	Static blue	4	Static yellow
5	Static cyan	6	Static purple
7	Static white	8	Three color jumpy change
9	Seven color jumpy change	10	Seven color strobe flash
11	Red horse race lamp to right direction	12	Purple horse race lamp to left direction
13	Blue horse race lamp to right direction	14	Cyan horse race lamp to left direction
15	Seven color cycling horse race lamp to right	16	Seven color cycling horse race lamp to left
17	Seven color horse race lamp back-for-ward	18	Seven color horse race lamp to left direction
19	Seven color jumping horse race lamp to right	20	Three color gradually change
21	Seven color gradually change	22	Red background scan lamp back-for-ward
23	Green background scan lamp back-for-ward	24	Blue background scan lamp back-for-ward
25	Yellow background scan lamp back-for-ward	26	Cyan background scan lamp back-for-ward
27	Purple background scan lamp back-for-ward	28	White background scan lamp back-for-ward
29	Seven color scan lamp back-for-ward direction	30	Red water move to right direction
31	Red water move to left direction	32	Green water move to right direction
33	Green water move to left direction	34	Blue water move to right direction
35	Blue water move to left direction	36	Yellow water move to right direction
37	Yellow water move to left direction	38	Cyan water move to right direction
39	Cyan water move to left direction	40	Purple water move to right direction
41	Purple water move to left direction	42	White water move to right direction
43	White water move to left direction	44	Seven color cycling water move to right direction
45	Seven color breathing lamp back-for-ward	46	Red trail to left single direction
47	Purple trail to left single direction	48	Blue trail to left single direction
49	Cyan trail to left single direction	50	White trail to left single direction
51	Green trail to left single direction	52	Yellow trail to left single direction
53	Seven color jumping trail to left single direction	54	Seven color queue trail to left single direction
55	Seven color alternation trail to left single direction	56	Red trail to right single direction
57	Purple trail to right single direction	58	Blue trail to right single direction
59	Cyan trail to right single direction	60	White trail to right single direction
61	Green trail to right single direction	62	Yellow trail to right single direction

63	Seven color jumping trail to right single direction	64	Seven color queue trail to right single direction
65	Seven color alternation trail to right single	66	Red water trail to right direction
67	Purple water trail to right direction	68	Blue water trail to right direction
69	Cyan water trail to right direction	70	White water trail to right direction
71	Green water trail to right direction	72	Yellow water trail to right direction
73	Seven color jumping water trail to right direction	74	Seven color queue water trail to right direction
75	Seven color alternation water trail to right	76	Red trail to left double direction
77	Purple trail to left double direction	78	Blue trail to left double direction
79	Cyan trail to left double direction	80	White trail to left double direction
81	Green trail to left double direction	82	Yellow trail to left double direction
83	Seven color jumping trail to left double direction	84	Seven color queue trail to left double direction
85	Seven color alternation trail to left double	86	Red trail to right double direction
87	Purple trail to right double direction	88	Blue trail to right double direction
89	Cyan trail to right double direction	90	White trail to right double direction
91	Green trail to right double direction	92	Yellow trail to right double direction
93	Seven color jumping trail to right double direction	94	Seven color queue trail to right double direction
95	Seven color alternation trail to right double	96	Full color wave to right direction
97	Seven color water move to left direction	98	Purple background trail to right double direction
99	Blue background trail to right double direction	100	White background trail to right double direction
101	Cyan background trail to right double direction	102	Green background trail to right double direction
103	Yellow background trail to right double direction	104	Seven color background trail to right double
105	Seven color spread from the middle to both sides	106	Seven color breathing from the middle to both
107	Seven color draw curtain	108	Seven color lower curtain
109	Seven color spread from both sides to the middle	110	Colorful switch
111	Seven color overlay to right direction	112	Seven color overlay to left direction
113	Seven color overlay to left and right direction	114	Seven color background overlay to double
115	Seven color overlay from middle to both sides	116	Seven color background overlay middle to both
117	Seven color overlay from both sides to middle	118	Seven color background overlay both sides to
119	Sub seven color move back-for-ward direction	120	Sub seven color jump and move back-for-ward
121	Sub seven color background move back-for-ward	122	Sub seven color background move single
123	Sub seven color overlay to left and right direction	124	Sub seven color background overlay to left and
125	Sub seven color spread to single direction	126	Sub seven color spread back-for-ward
127	Sub seven color water move to left and right	128	Sub seven color spread from middle to both sides
129	Sub seven color stretch from middle to both sides	130	Sub seven color stretch to single direction
131	Sub seven color overlay to single direction	132	Auto-cycle
133	DIY Auto-cycle		

Typical Applications

Diagram 1:

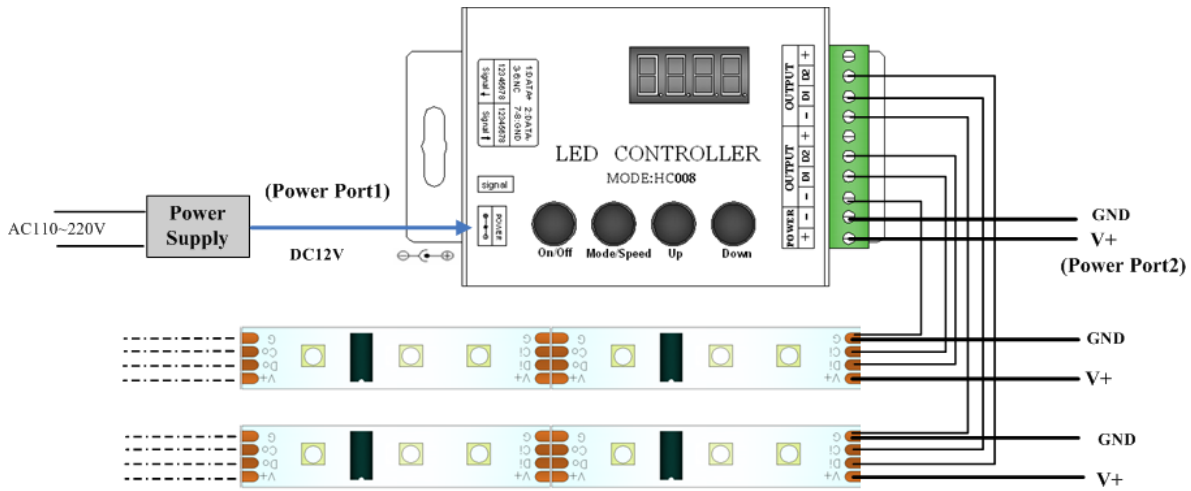
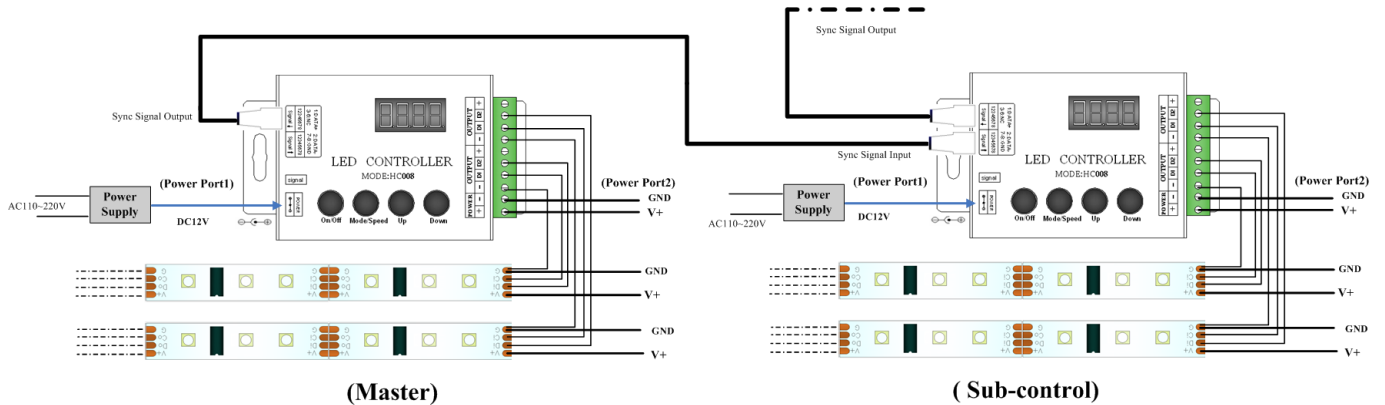
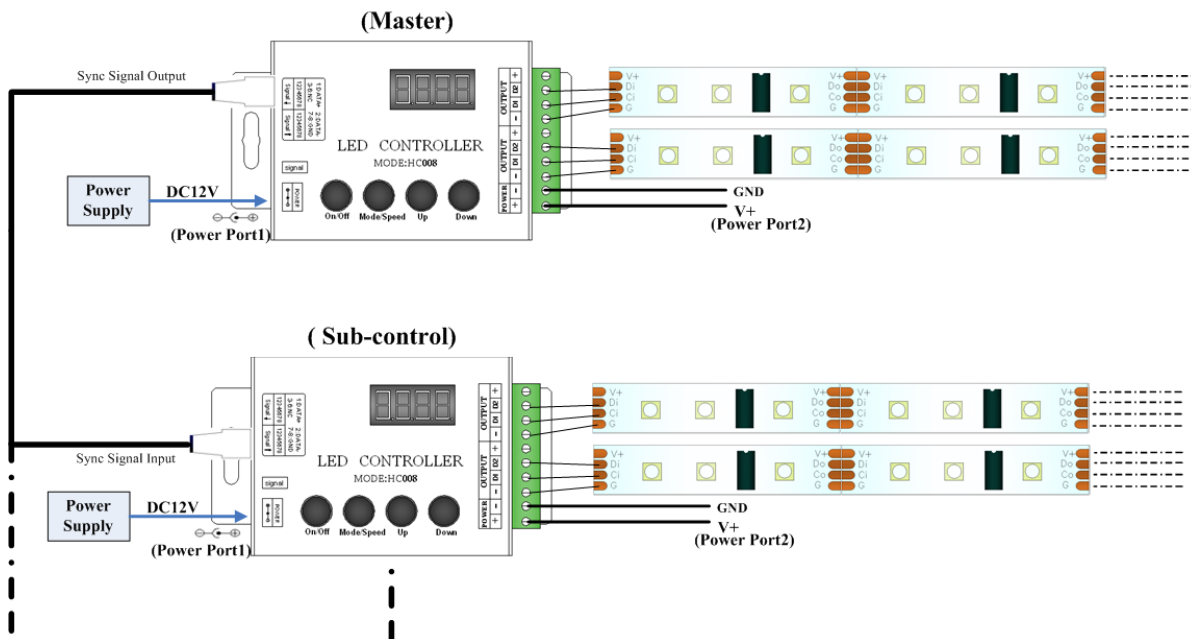


Diagram 2: More controllers with Synchronous Control:



(a. All Controllers in series)



(b. Sub-controllers in parallel.)