

# RF wireless wall mounted RGB/W controller

SR-2820



### Feature

- Touch sensitive
- Glass interface(White & Black)
- Control 4 zones synchronously and separately
- Save up to 4 color/modes in each zone
- Wireless, can use together with SR-2818,SR-2819



## Parameter

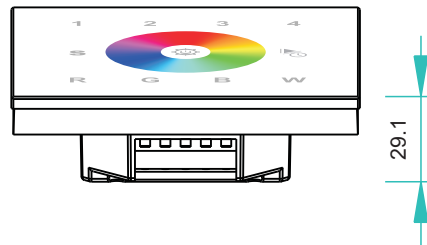
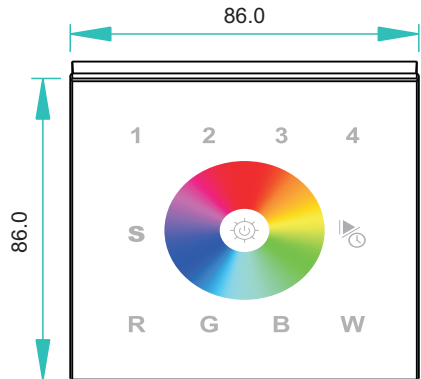
### Remote

Part No.	Operation Voltage	Operation Frequency	DIMENSIONS ø/h (mm)	Remarks
SR-2820	12-24VDC/ 100-240VAC	434MHz/868MHz	86x86x29.1	Touch Sensor

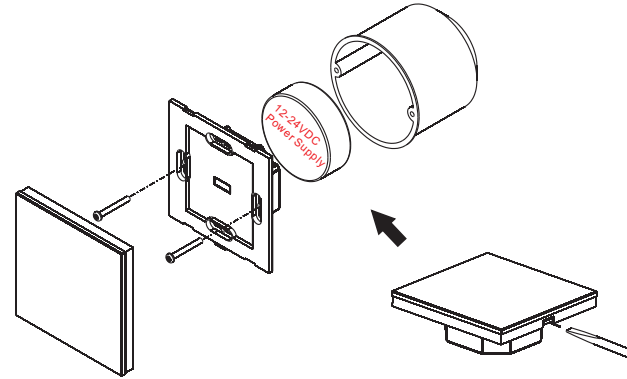
### Receiver

Part No.	Input Voltage	Current	Output	Remarks
SR-1009FA	12-36VDC	4x5A	4x(60-180)W	Constant voltage
SR-1009EA	12-36VDC	4x8A	4x(96-288)W	Constant voltage
SR-1009FA3	12-36VDC	4x350mA	4x(4.2-12.6)W	Constant current
SR-1009FA7	12-36VDC	4x700mA	4x(8.4-25.2)W	Constant current

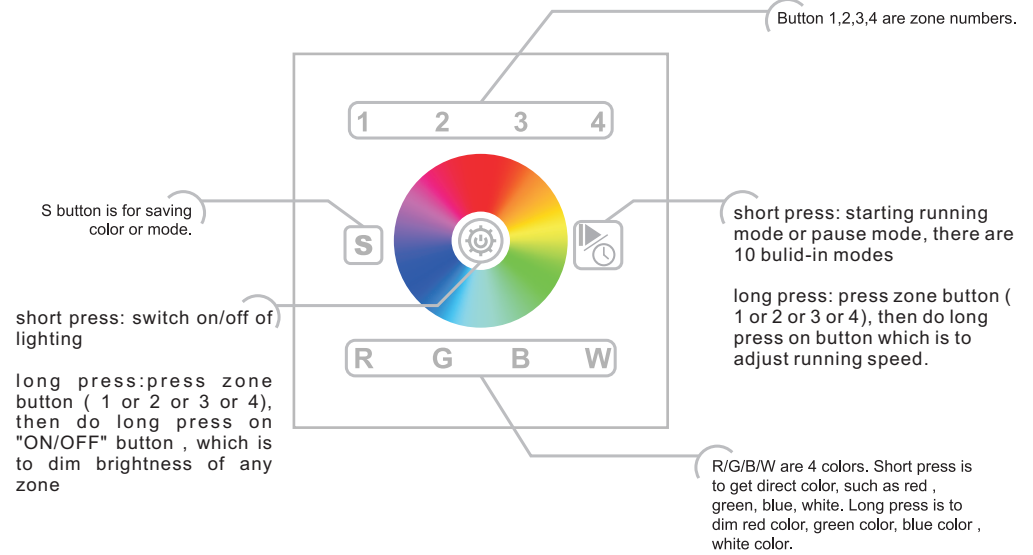
## Product Size



## Installation

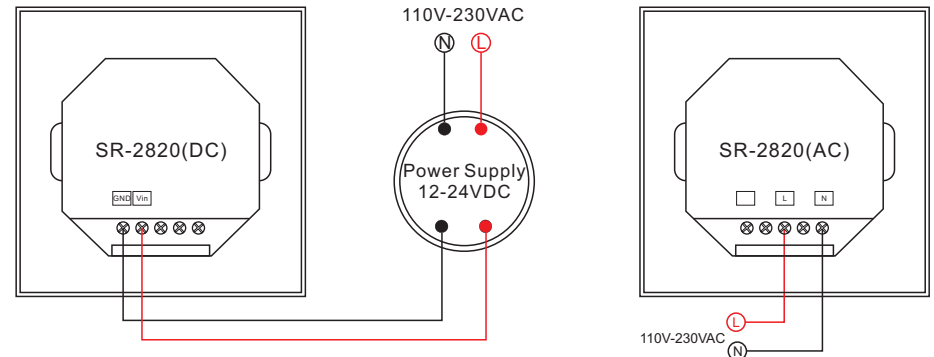


## Button introduction

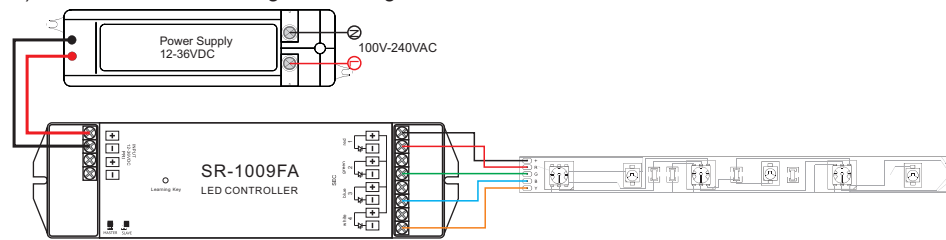


## Wiring diagram

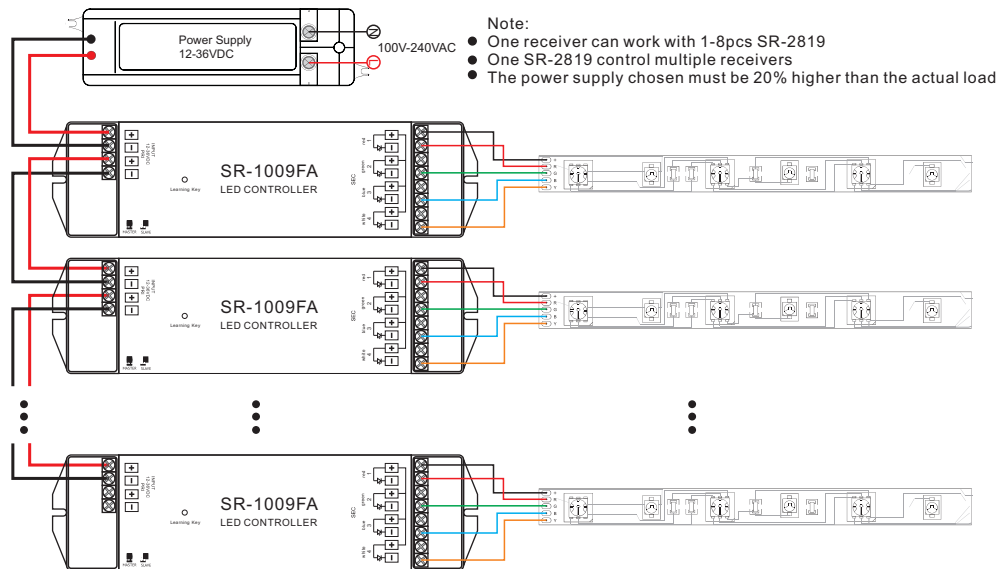
### 1)Sender Connection Diagram



## 2) Receiver Connection Diagram for Single Unit



## 3) Receiver Connection Diagram for Multiple Units



## Safety & Warnings

- 1) The product shall be installed and serviced by a qualified person.
- 2) IP20. Please avoid the sun and rain. When installed outdoors, please ensure it is mounted in a water proof enclosure.
- 3) Always be sure to mount this unit in an area with proper ventilation to avoid overheating.
- 4) Please check if the output voltage of any LED power supplies used comply with the working voltage of the product.
- 5) Never connect any cables while power is on and always assure correct connections to avoid short circuits before switching on.
- 6) Please ensure that the cable is secured tightly in the connector
- 7) For update information please consult your supplier.

## Warranty Agreement

- 1) We provide lifelong technical assistance with this product:
  - 3-year warranty. We print date on every products, for example :1125 means year 2011, week 25. The warranty is for free repair or replacement and covers manufacturing faults only.
  - For faults beyond the 3-year warranty we reserve the right to charge for time and parts.
- 2) Limited Warranty
  - Any defects caused by wrong operation.
  - Any damages caused by unauthorized removal, maintenance, modifying, incorrect connection and replacement of chips.
  - Any damages due to transportation, vibration etc. after purchase.
  - Any damages caused by earthquake, fire, lightning, pollution and abnormal voltage.
  - Any damages caused by negligence, inappropriate storing at high temperatures and humidity or near harmful chemicals.
  - Product has been updated
- 3) Repair or replacement as provided under this warranty is the exclusive remedy to the customer.

## Operation

### 1. Do wiring according to connection diagram

### 2. Learning process

- a. Wake up the panel by touching ON/OFF button.
- b. Press at learning button on receiver.
- c. Touch any zone button on panel.
- d. Then touch color wheel.
- e. Connected LED light will blink to confirm zone designation.
- f. Press at learning button on receiver over 5 seconds until LED light flash, then delete the learned ID.

Note: To choose a master from slaves by jumper for each zone.

Short circuit for master.

Open circuit for slave.

Each zone only can set 1 slave to be master. After a period of time, the master will do synchronization operation to keep the same color or mode of all slaves in one zone.

### 3. how to save color or mode

Button can save the color from mode or save color when you touch color wheel.

In "S" button, it saved "R/ G/ B" 3 colors in default. But with your operation, you can save another 3 colors replace those R/G/B colors.

Press any zone button----> press ► button, mode runs, see favorite mode----> press S button over 3 seconds until connected light flashes. Then it saved successful ly.

Press any zone button----> touch color wheel, see favorite color---> press S button over 3 seconds until connected light flashes. Then it saved successful ly.