

## OB3370 Series

### *Cost Effective LED Backlight Driver Controller*

OB3370 series are high integrated and cost effective Light Emitting Diode (LED) drivers optimized for LCD monitor backlight application. It operates in voltage mode Fixed-Frequency boost topology, supports internal burst and external burst (LPWM) dimming functions and over voltage protection.

#### Features:

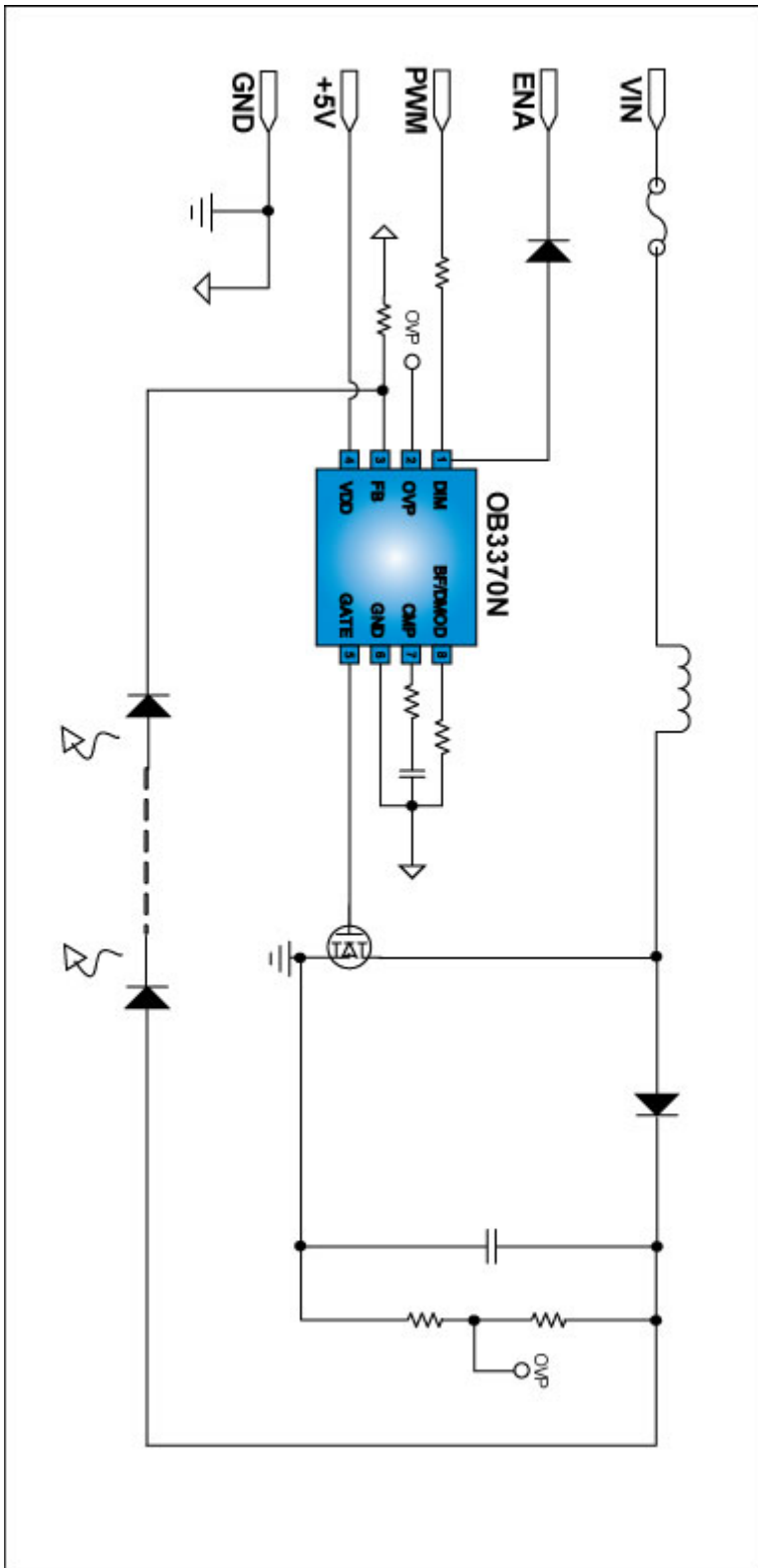
- ◆ Minimal required external components
- ◆ Voltage mode boost topology
- ◆ High precision reference and Fixed-Frequency (300kHz) control
- ◆ External programmability of the key parameters
- ◆ Flexible Dimming mode Control:
  - ◇ Internal burst ,external burst (LPWM) dimming control
  - ◇ 0-2V DC voltage or external PWM direct dimming control without external circuits
  - ◇ Dimming range programmable (Max.: 100%~0%)
- ◆ Reliable protection coverage:
  - ◇ Output over voltage protection (OVP)
  - ◇ Under voltage lockout
- ◆ Available in SOP8 package, RoHS compliant

#### Applications:

- ◆ LCD monitor
- ◆ LCD TV

Device	Topology	Dimming
OB3370N	boost	DC/LPWM
OB3370Q	buck	DC/LPWM
OB3370M	boost(MOSFET inside)	LPWM

#### Typical Application:



[Close]