

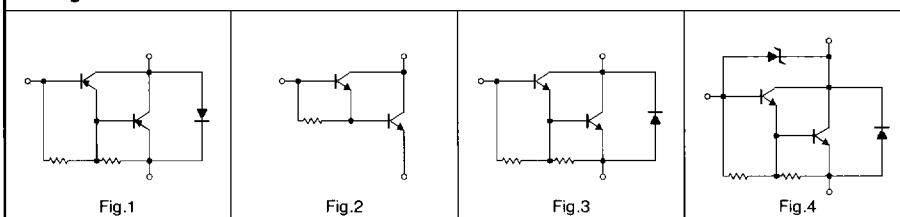
# Transistors

## TO-220 • TO-220FP • TO-220FN • HRT

TO-220FP is a TO-220 with mold coated fin for easier mounting and higher PC, 2W. TO-220FN is a low profile (by 2mm) version of TO-220FP without fin support pin, for higher mounting density. HRT is a taped power transistor package for use with an automatic placement machine.

Application	Part No.				V <sub>CEO</sub> (V)	I <sub>C</sub> (A)	P <sub>c</sub> (W)				h <sub>FE</sub>	V <sub>CE</sub> (V)		Internal circuit
	TO-220	TO-220FP	TO-220FN	HRT			T <sub>c</sub> =25°C		T <sub>a</sub> =25°C			V <sub>CE</sub> (V)	I <sub>C</sub> (A)	
							TO-220	TO-220FP	TO-220FN	HRT				
Driver	2SA1634	2SA1635	—	—	-60	-4	40	30	—	—	60~320	-4	-1	—
	2SB1369	2SB1370	2SB1565	2SB1496	-60	-3	40	30	25	1.8	60~320	-5	-0.5	—
	2SB1064	2SB1185	2SB1566	2SB1357	-50	-3	30	25	25	1.8	60~320	-3	-0.5	—
	2SB1085	2SB1186	2SB1569	2SB1353	-120	-1.5	20	20	20	1.8	60~320	-5	-0.1	—
	2SB1085A	2SB1186A	2SB1569A	2SB1353A	-160	-1.5	20	20	20	1.8	60~200	-5	-0.1	—
	2SB1289	2SB1290	—	2SB1356	-80	-7	40	30	—	1.8	60~320	-5	-1	—
	2SB1291	2SB1292	—	2SB1358	-60	-5	40	30	—	1.8	60~320	-5	-1	—
	2SB1293	2SB1294	—	2SB1360	-100	-5	40	30	—	1.8	60~320	-5	-1	—
	2SB1334	2SB1335	—	2SB1355	-60	-4	40	30	—	1.8	60~320	-5	-1	—
	2SB1334A	2SB1335A	—	—	-80	-4	40	30	—	—	60~320	-5	-1	—
	2SC4007	2SC4008	—	2SC4355	80	4	40	30	—	1.8	60~500	4	1	—
	2SD2023	2SD2061	2SD2394	2SD2096	60	3	40	30	25	1.8	60~320	5	0.5	—
	2SD1505	2SD1762	2SD2395	2SD2037	50	3	30	25	25	1.8	60~320	3	0.5	—
	2SD1562	2SD1763	2SD2400	2SD2033	120	1.5	20	20	20	1.8	60~320	5	0.1	—
	2SD1562A	2SD1763A	2SD2400A	2SD2033A	160	1.5	20	20	20	1.8	60~200	5	0.1	—
	2SD1580	2SD1833	—	2SD2036	80	7	40	30	—	1.8	60~320	5	1	—
	2SD1720	2SD1832	—	2SD2038	60	5	40	30	—	1.8	60~320	5	1	—
	2SD1778	2SD1855	—	2SD2035	60	4	40	30	—	1.8	60~320	5	1	—
	2SD1778A	2SD1855A	—	—	80	4	40	30	—	—	60~320	5	1	—
	2SD1896	2SD1897	—	2SD2040	100	5	40	30	—	1.8	60~320	5	1	—
2SD1956	2SD1957	—	—	120	7	40	30	—	—	100~500	5	1	—	
Low V <sub>CE(sat)</sub>	—	2SA1757	—	—	-60	-5	—	25	—	—	60~320	-2	-1	—
	—	2SA1758	—	—	-60	-12	—	30	—	—	60~320	-2	-2	—
	—	2SC4595	—	—	60	12	—	30	—	—	60~320	2	2	—
	—	2SC4596	—	—	60	5	—	25	—	—	60~320	2	1	—
	2SC4845	2SC4846	—	—	120	5	40	30	—	—	60~200	5	3	—
2SC4848	2SC4849	—	—	120	7	40	30	—	—	60~200	5	3	—	
Chroma	—	2SC4718	—	2SC4506	300	0.1	—	10	—	1.5	40~200	10	0.1	—
High h <sub>FE</sub>	2SD1943	2SD1944	2SD2396	2SD2044	60	3	40	30	30	1.8	400~2k	4	0.5	—
High Voltage SW	2SC3968	2SC3969	—	2SC4354	400	2	20	20	—	1.8	16~50	5	0.1	—
	2SC4205	2SC4129	—	—	400	5	40	30	—	—	16~50	5	3	—
Darlington	2SB1286	2SB1287	2SB1567	2SB1359	-100	-2	25	20	20	1.8	1k~10k	-2	-1	Fig.1
	2SB1339	2SB1340	—	2SB1513	-120	-6	40	30	—	1.8	2k~20k	-3	-2	Fig.1
	2SB1341	2SB1342	2SB1568	2SB1512	-80	-4	35	30	30	1.8	1k~10k	-3	-2	Fig.1
	2SB1343	2SB1344	—	2SB1514	-100	-8	40	30	—	1.8	1k~20k	-3	-2	Fig.1
	2SB1550	2SB1551	—	2SB1549	-80	-10	40	30	—	1.8	1k~20k	-3	-5	Fig.1
	2SC4573	2SC4574	—	2SC4575	60±10	4	35	30	—	1.8	2k~10k	5	1.5	Fig.4
	—	2SC4895	—	—	100	3	—	30	—	—	2k~10k	2	1.5	Fig.2
	2SD1646	2SD1765	2SD2398	2SD2039	100	2	25	20	20	1.8	1k~10k	2	1	Fig.2
	2SD1647	2SD1764	2SD2397	2SD2041	60±10	2	25	20	20	1.8	1k~10k	2	1	Fig.4
	—	2SD2091	—	2SD2283	90 <sup>+20</sup> <sub>-10</sub>	2	—	20	—	1.8	1k~10k	2	1	Fig.4
	2SD1783	2SD1856	—	2SD2042	60±10	5	30	25	—	1.8	2k~30k	3	2	Fig.4
	2SD1888	2SD1889	—	2SD2043	120	6	40	30	—	1.8	2k~20k	3	2	Fig.2
	2SD1932	2SD1933	2SD2399	2SD2032	80	4	35	30	30	1.8	1k~10k	3	2	Fig.2
	2SD1986	2SD1987	—	2SD2306	60	4	35	30	—	1.8	1k~10k	3	2	Fig.3
2SD2024	2SD2025	—	2SD2307	100	8	40	30	—	1.8	1k~20k	3	2	Fig.2	

Darlington transistor Internal circuit



●Product Designation

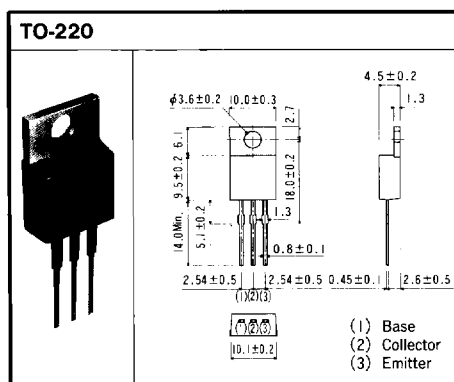
Specify part No., packaging specification code and  $h_{FE}$  ranking code.



Part No. Blank unless otherwise required

Packaging specification code

$h_{FE}$  Ranking code

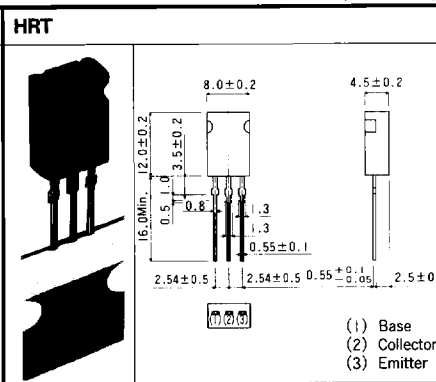
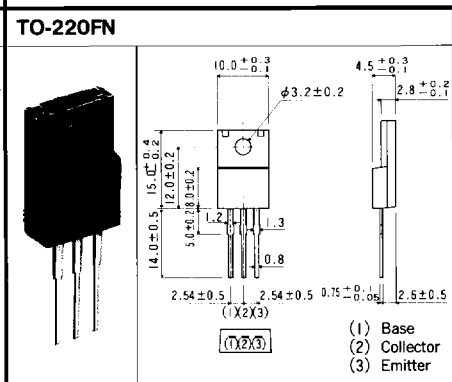
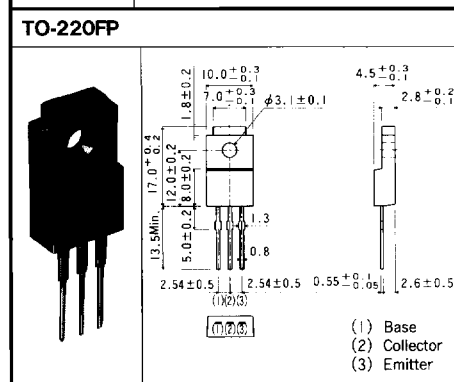


Code	Package	Package specifications	Quantity /Package (pcs)
-	TO-220*	Bulk	500
C7		Tube	1,000 (50pcs × 20)
-	TO-220FP*	Bulk	500
C7		Tube	1,000 (50pcs × 20)
-	TO-220FN	Bulk	500
C7		Tube	1,000 (50pcs × 20)
T114	HRT	Ammo box	1,000

Code	$h_{FE}$ Range
A	16~32
B	25~50
C	40~80
D	60~120
E	100~200
F	160~320
G	250~500
H	400~800
J	600~1200
K	1000~2000

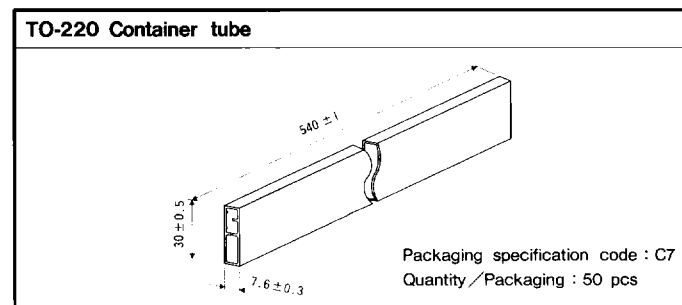
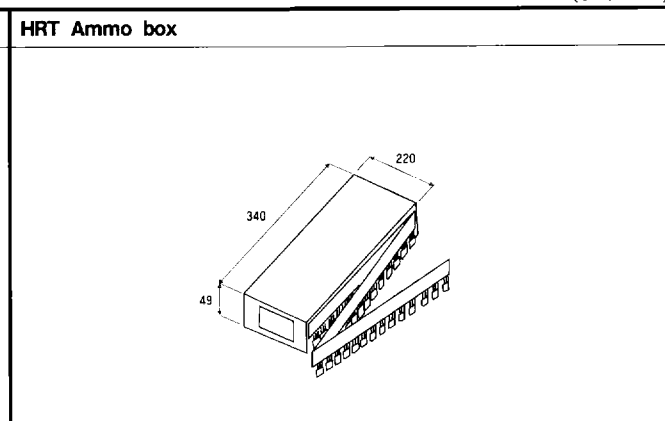
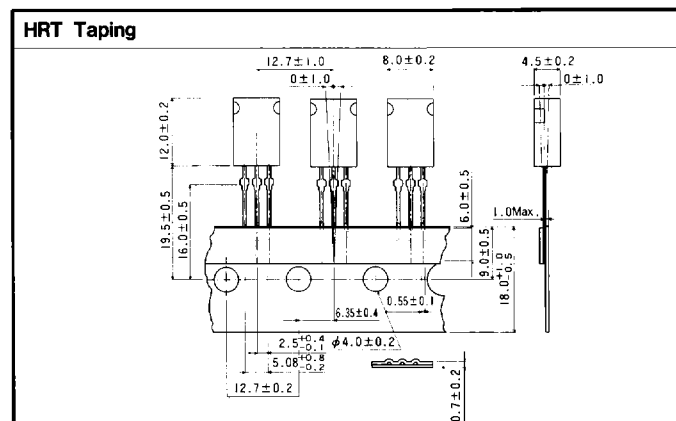
Note : Tray packages with various terminal configurations (forming, pin cut) are also available. Ask for details.

(Unit : mm)



●Packaging Specifications

(Unit : mm)



Transistors

The Class and Basic ranking Units for Standard and Special Standard Products Units