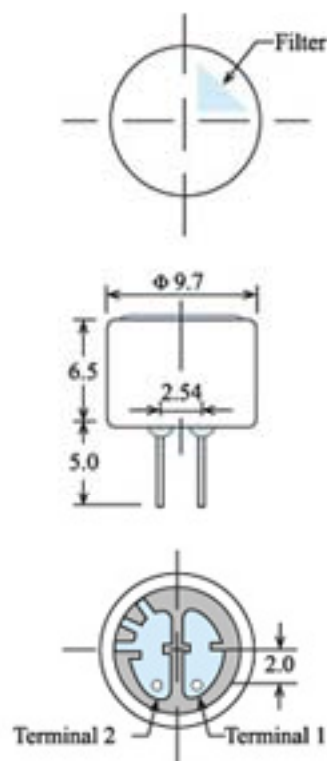
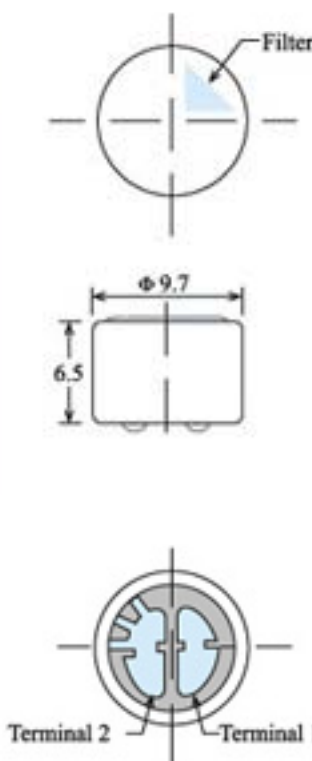


**EM9765**

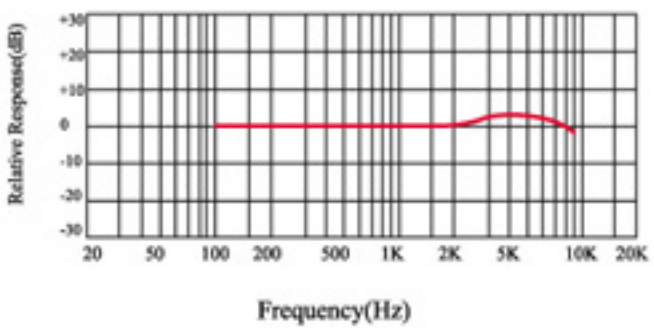
**EM9765P**



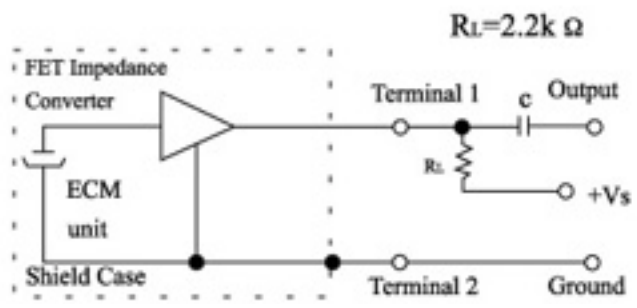
**Sensitivity Range 灵敏度范围**

-32 ± 2dB	-34 ± 2dB
-36 ± 2dB	-38 ± 2dB
-40 ± 2dB	-42 ± 2dB
-44 ± 2dB	-46 ± 2dB

**Typical Frequency Response Curve 频率响应曲线**



**Schematic Diagram 测试电路图**



**Specification 规格**

Sensitivity:	See above (0dB=1 V/Pa. 1KHz)
Directivity:	Omnidirectional
Impedance:	Low impedance
Current Consumption:	Max. 0.5mA
Standard Operation Voltage:	4.5V
Sensitivity Reduction:	Within-3dB at 1.5V
S/N Ratio:	More than 60dB

灵敏度:	参照上述: (0dB=1 V/Pa. 1KHz)
方向性:	全向
阻抗:	低阻抗
电流消耗:	最大0.5mA
标准工作电压:	4.5V
灵敏度减低:	1.5V时-3dB以内
信噪比:	大于60dB