

Single Zone RF Wireless LED Dimmer

Model:SR-2828 with SR-2501N series



Product introduction

- The SR-2828 and its receiver is a Single Zone RF Wireless LED
- Dimmer for mono color LED.
- One remote can control endless of receivers in sync; One receiver can be controlled by max 8 remotes.
- Long time span battery for 2 years

Parameter

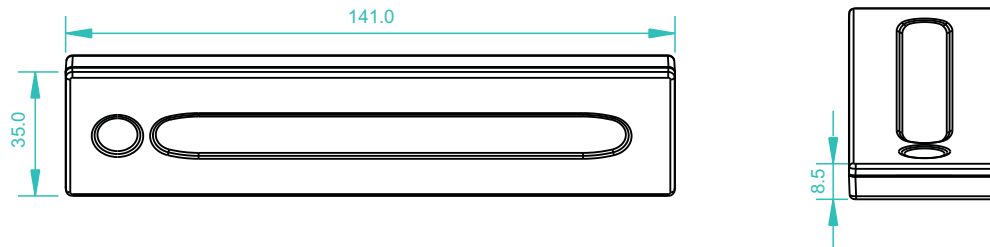
Remote

Part No.	Operation Voltage	Operation Frequency	DIMENSIONS ø/h (mm)	Remarks
SR-2828	3VDC	434MHz/868MHz	43.8x131.6x24.5	load 2pcs CR2025 batteries

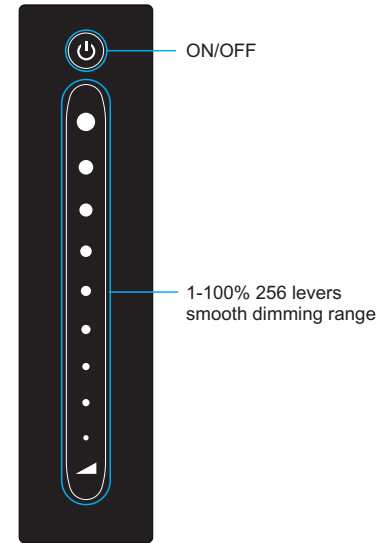
Receiver

Part No.	Input Voltage	Current	Output	Remarks
SR-2501N	12-36VDC	4x5A	4x(60-180)W	Constant voltage
SR-2501NEA	12-36VDC	4x8A	4x(96-288)W	Constant voltage
SR-2502N	12-36VDC	4x350mA	4x(4.2-12.6)W	Constant current
SR-2503N	12-36VDC	4x700mA	4x(8.4-25.2)W	Constant current
SR-2501NS	12-36VDC	1x8A	1x(96-288)W	Constant voltage

Product Size



Brief introduction of buttons



Operation

After you have wired all the receivers according to Figure illustration you need to do the following:

1. Pull off the plastic film cover of the battery at the back of remote.
2. Pair remote with receiver: short press the Learning Key on the receiver, then immediately . Once you do that, the LED lights will blink once. Now the remote and receiver are paired!
3. You can repeat step 4.2 to pair endless of receivers of to the remote, to control in sync.

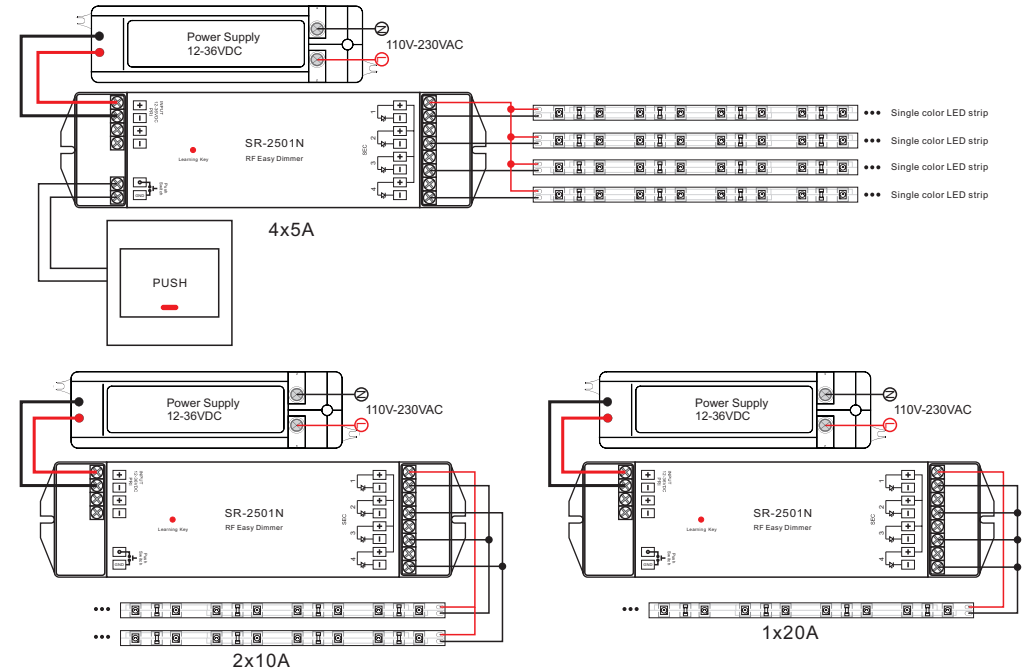
Factory default Reset:

In case you want to do the factory default reset of the receiver, just hold Learning Key for 10 seconds. Re-assign the receiver to a different remote is easy, just repeat Step 4. 2 as above.



SR-2828 Back

Wiring diagram



Safety & Warnings

- 1) The product shall be installed and serviced by a qualified person.
- 2) IP20. Please avoid the sun and rain. When installed outdoors, please ensure it is mounted in a water proof enclosure.

- 3) Always be sure to mount this unit in an area with proper ventilation to avoid overheating.
- 4) Please check if the output voltage of any LED power supplies used comply with the working voltage of the product.
- 5) Never connect any cables while power is on and always assure correct connections to avoid short circuits before switching on.
- 6) Please ensure that the cable is secured tightly in the connector
- 7) For update information please consult your supplier.

Warranty Agreement

1) We provide lifelong technical assistance with this product:

- 3-year warranty. We print date on every products, for example :1125 means year 2011, week 25. The warranty is for free repair or replacement and covers manufacturing faults only.

- For faults beyond the 3-year warranty we reserve the right to charge for time and parts.

2) Limited Warranty

- Any defects caused by wrong operation.

- Any damages caused by unauthorized removal, maintenance, modifying, incorrect connection and replacement of chips.

- Any damages due to transportation, vibration etc. after purchase.

- Any damages caused by earthquake, fire, lightning, pollution and abnormal voltage.

- Any damages caused by negligence, inappropriate storing at high temperatures and humidity or near harmful chemicals.

- Product has been updated

3) Repair or replacement as provided under this warranty is the exclusive remedy to the customer.