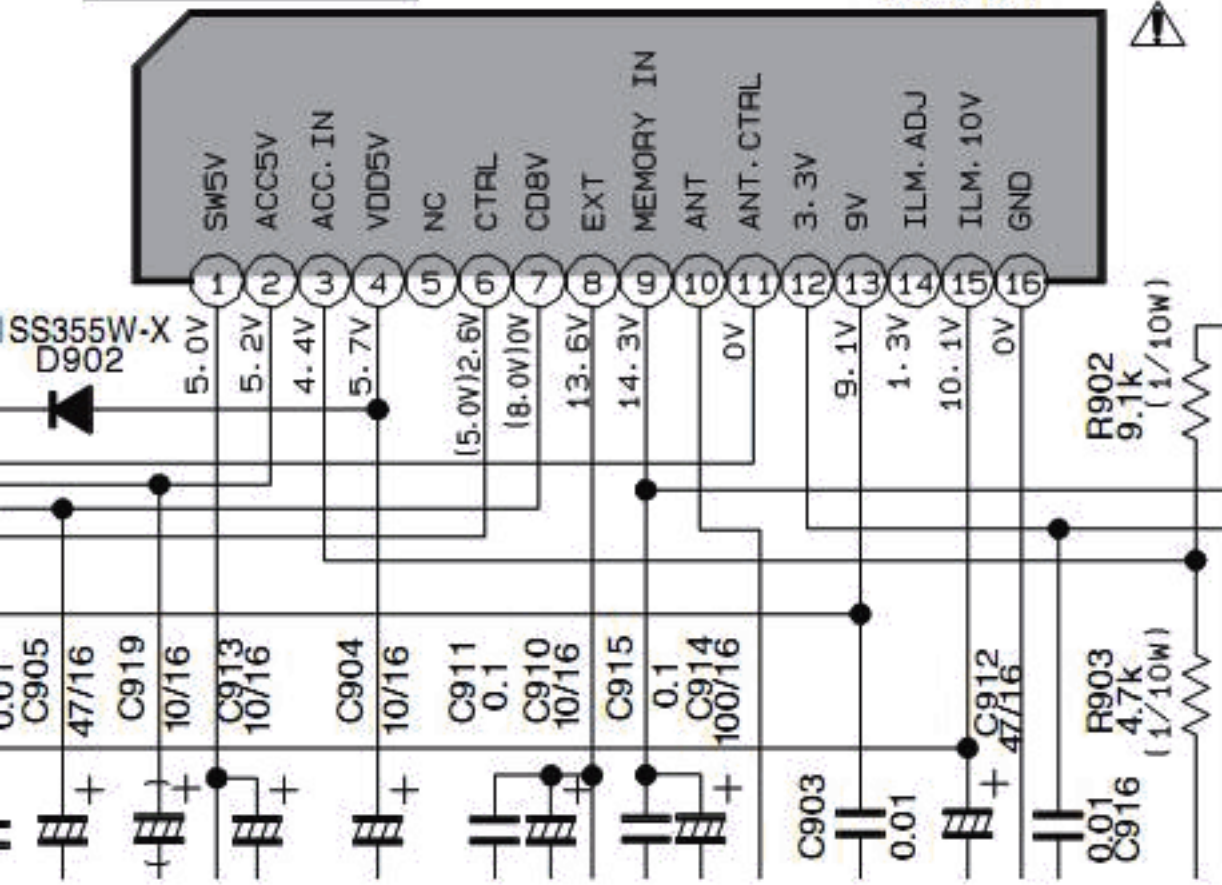


# REGULATOR

IC901  
AN80T71



- 1 SW5V
- 2 ACC5V
- 3 ACC.IN
- 4 VDD5V
- 5 NC
- 6 CTRL
- 7 CD8V
- 8 EXT
- 9 MEMORY IN
- 10 ANT
- 11 ANT.CTRL
- 12 3.3V
- 13 9V
- 14 ILM.ADJ
- 15 ILM.10V
- 16 GND

SS355W-X  
D902

5.0V  
5.2V  
4.4V  
5.7V  
(5.0V)2.6V  
(8.0V)0V  
13.6V  
14.3V  
0V  
0V  
9.1V  
1.3V  
10.1V  
0V

C905  
47/16

C919  
10/16

C913  
10/16

C904  
10/16

C911  
0.1

C910  
10/16

C915  
0.1

C914  
100/16

C912  
47/16

C916  
0.01

R902  
9.1K  
(1/10W)

R903  
4.7K  
(1/10W)