

FA5310P(S)/FA5311P(S)

Bipolar IC
For Switching Power Supply Control

■ Description

The FA5310P(S) and FA5311P(S) are bipolar ICs for switching power supply control that can directly drive a power MOSFET.

These ICs contain many functions in a small 8-pin package. With these ICs, a high-performance and compact power supply can be created because not many external discrete components are needed.

■ Features

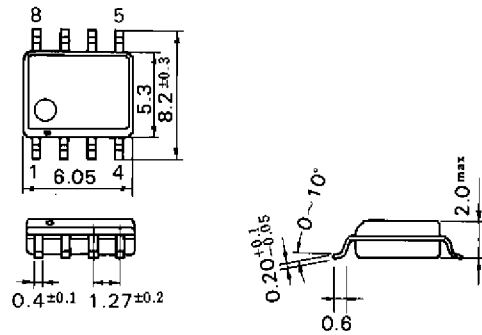
- Drive circuit for connecting a power MOS-FET ($I_o = \pm 1.5A$)
- Wide operating frequency range (5 to 600kHz)
- Pulse-by-pulse overcurrent limiting function
- Overload cutoff function (Latch or non-protection mode selectable)
- Output ON/OFF control function by external signals
- Overvoltage cutoff function in latch mode
- Undervoltage malfunction prevention function (ON at 16V and OFF at 8.7V)
- Low standby current (90 μ A typical)
- Exclusive choices by circuits
Forward type: FA5310 ($D_{max} = 46\%$)
Flyback type: FA5311 ($D_{max} = 70\%$)
- 8-pin package (DIP/SOP)

■ Applications

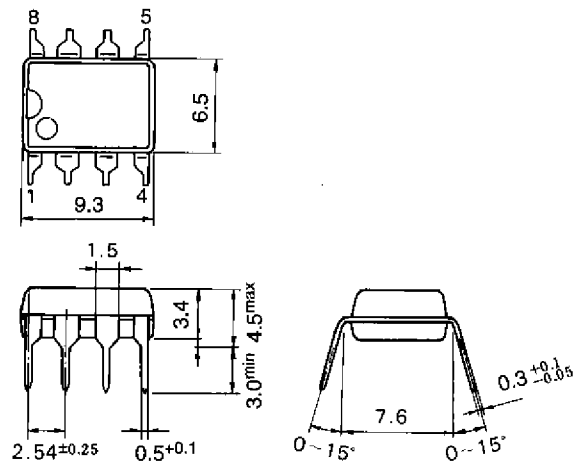
- Switching power supply for general equipment

■ Dimensions, mm

● SOP-8

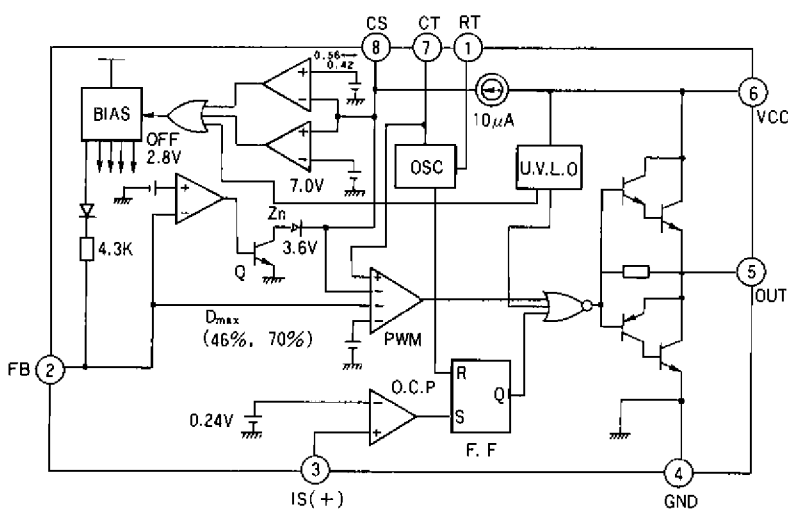


● DIP-8



■ Block diagram

● FA5310P(S)/FA5311P(S)



Pin No.	Pin symbol	Description
1	RT	Oscillator timing resistor
2	FB	Feedback
3	IS (+)	Overcurrent (+) detection
4	GND	Ground
5	OUT	Output
6	VCC	Power supply
7	CT	Oscillator timing capacitor
8	CS	Soft-start and ON/OFF control

■ Absolute maximum ratings

Common to FA5310P(S) and FA5311P(S)

Item	Symbol	Rating	Unit
Supply voltage	V _{CC}	31	V
Output current	I _O	±1.5	A
Error amplifier input voltage	V _I	4	V
Feedback terminal input voltage	V _{FB}	4	V
Overcurrent detection terminal input voltage	V _{IS}	-0.3 to +4	V
CS terminal input current	I _{CS}	2	mA
Total power dissipation (Ta=25°C)	P _d	800 (DIP-8) *1 550 (SOP-8) *2	mW
Operating temperature	T _{opr}	-30 to +85	°C
Storage temperature	T _{stg}	-40 to +150	°C

■ Recommended operating conditions

Common to FA5310P(S) and FA5311P(S)

Item	Symbol	Min.	Max.	Unit
Supply voltage	V _{CC}	10	30	V
Oscillator timing resistance	R _T	3.3	10	kΩ
Soft-start capacitor	C _s	0.1	1	μF
Oscillation frequency	f _{osc}	5	600	kHz

Notes:

*1 Derating factor Ta > 25°C : 8.0mW/°C (on PC board)

*2 Derating factor Ta > 25°C : 5.5mW/°C (on PC board)

■ Electrical characteristics (Ta = 25°C, V_{CC} = 18V, f_{osc} = 135kHz)

Oscillator section Common to FA5310P(S) and FA5311P(S)

Item	Symbol	Test condition	Min.	Typ.	Max.	Unit
Oscillation frequency	f _{osc}	C _T = 330pF	125	135	145	kHz
Frequency variation 1 (due to supply voltage change)	f _{dv}	V _{CC} = 10 to 30V		±1		%
Frequency variation 2 (due to temperature change)	f _{dr}	T _a = -30 to +85°C		±1.5		%

Pulse width modulation circuit section

Item	Symbol	Test condition	FA5310P(S)			FA5311P(S)			Unit
			Min.	Typ.	Max.	Min.	Typ.	Max.	
Feedback terminal source current	I _{FB}	V _{FB} = 0	-660	-800	-960	-660	-800	-900	μA
Input threshold voltage (Pin 2)	V _{TH FBO}	Duty cycle = 0%		0.75			0.75		V
	V _{TH FBM}	Duty cycle = D _{MAX}		1.80			2.30		V
Maximum duty cycle	D _{MAX}		43	46	49	66	70	74	%

Soft-start circuit section

Item	Symbol	Test condition	FA5310P(S)			FA5311P(S)			Unit
			Min.	Typ.	Max.	Min.	Typ.	Max.	
Charge current (Pin 8)	I _{CHG}	Pin 8 = 0V	-15	-10	-5	-15	-10	-5	μA
Input threshold voltage (Pin 8)	V _{TH CSO}	Duty cycle = 0%		0.90			0.90		V
	V _{TH CSM}	Duty cycle = D _{MAX}		1.90			2.40		V

Overcurrent limiting circuit section Common to FA5310P(S) and FA5311P(S)

Item	Symbol	Test condition	Min.	Typ.	Max.	Unit
Input threshold voltage (Pin 3)	V _{TH IS}		0.21	0.24	0.27	V
Overcurrent detection terminal source current	I _{IS}	Pin 3 = 0V	-300	-200	-100	μA
Delay time	T _{PD IS}			150		ns

FA5310P(S)/FA5311P(S)**Latch-mode cutoff circuit section** Common to FA5310P(S) and FA5311P(S)

Item	Symbol	Test condition	Min.	Typ.	Max.	Unit
CS terminal sink current	ISINK CS	Pin 8 = 6V, Pin 2 = 1V	25	45	65	μ A
Cutoff threshold voltage (Pin 8)	VTH CS		6.5	7.0	7.5	V

Overload cutoff circuit section Common to FA5310P(S) and FA5311P(S)

Item	Symbol	Test condition	Min.	Typ.	Max.	Unit
Cutoff-state supply voltage (Pin 2)	VTH FB		2.6	2.8	3.1	V

Undervoltage lockout circuit Common to FA5310P(S) and FA5311P(S)

Item	Symbol	Test condition	Min.	Typ.	Max.	Unit
OFF-to-ON threshold voltage	VTH ON		15.5	16.0	16.5	V
ON-to-OFF threshold voltage	VTH OFF		8.20	8.70	9.20	V
Voltage hysteresis	VHYS			7.30		V

Output section Common to FA5310P(S) and FA5311P(S)

Item	Symbol	Test condition	Min.	Typ.	Max.	Unit
L-level output voltage	VOL	IO = 100mA		1.30	1.80	V
H-level output voltage	VOH	IO = -100mA, VCC = 18V	16.0	16.5		V
Rise time	tr	No load		50		ns
Fall time	tf	No load		50		ns

Output ON/OFF circuit section Common to FA5310P(S) and FA5311P(S)

Item	Symbol	Test condition	Min.	Typ.	Max.	Unit
CS terminal source current	ISOURCE CS	Pin 8 = 0V	-15	-10	-5	μ A
OFF-to-ON threshold voltage (Pin 8)	VTH ON	CS terminal voltage OFF→ON		0.56		V
ON-to-OFF threshold voltage (Pin 8)	VTH OFF	CS terminal voltage ON→OFF		0.42		V

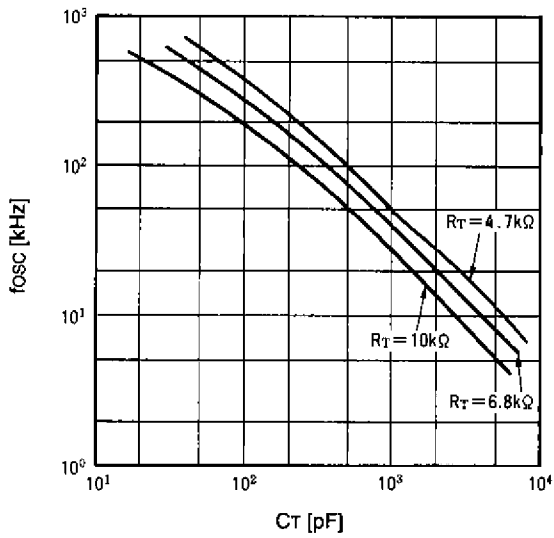
Overall device Common to FA5310P(S) and FA5311P(S)

Item	Symbol	Test condition	Min.	Typ.	Max.	Unit
Standby current	ICC ST	VCC = 14V		90	150	μ A
Operating-state supply current	ICC OP			9	15	mA
OFF-state supply current	ICC OFF			1.1	1.8	mA
Cutoff-state supply current	ICC L			1.1	1.8	mA

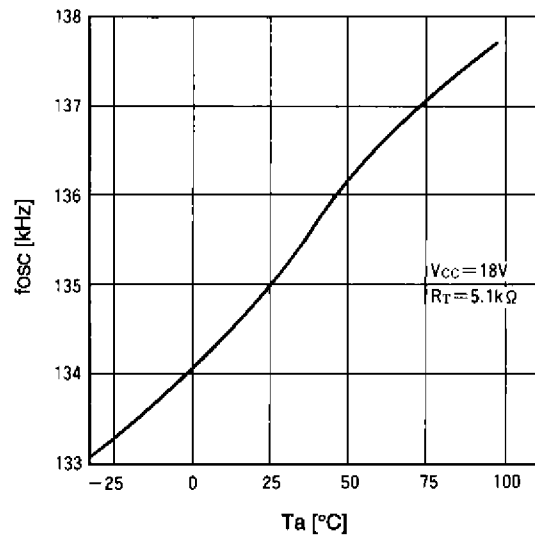
The ratings and pin numbers given in the tables are applicable for DIP-8 and SOP-8 packages.

■ Characteristic curves (Ta = 25°C)

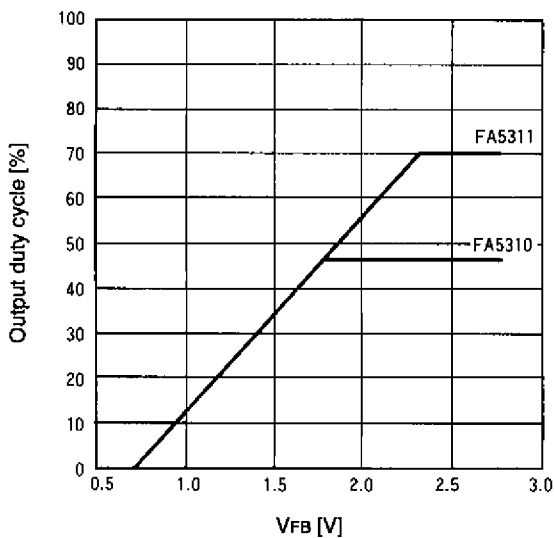
Oscillation frequency (fosc) vs. timing capacitor capacitance (Cr)



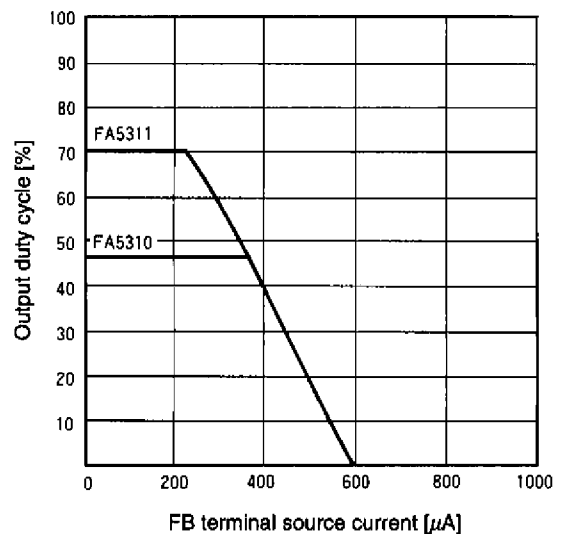
Oscillation frequency (fosc) vs. ambient temperature (Ta)



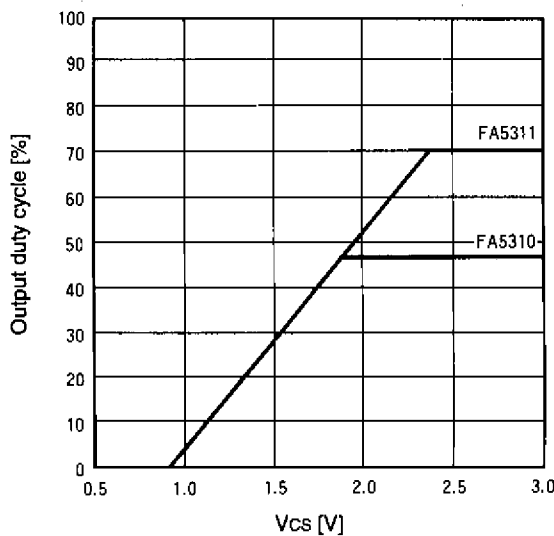
Output duty cycle vs. FB terminal voltage (VFB)



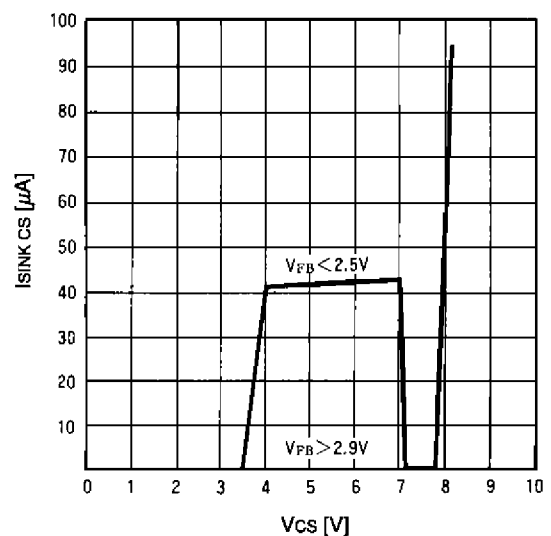
Output duty cycle vs. FB terminal source current (ISOURCE)



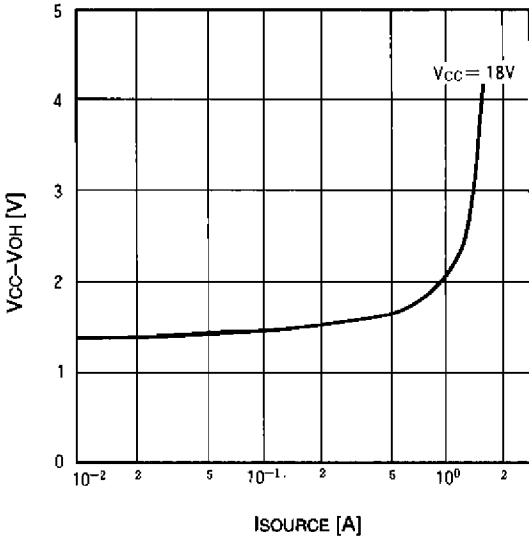
Output duty cycle vs. CS terminal voltage (Vcs)



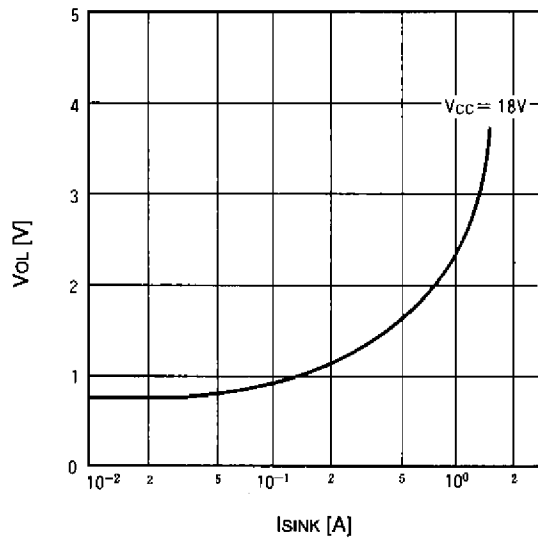
CS terminal sink current (ISINK cs) vs. CS terminal voltage (Vcs)



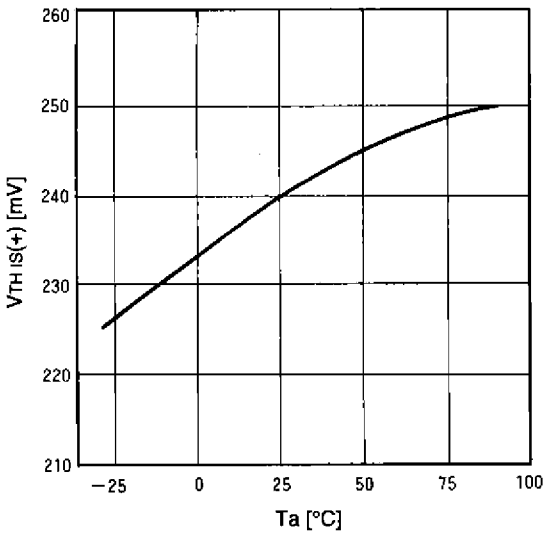
H-level output voltage (V_{OH}) vs. output source current (I_{SOURCE})



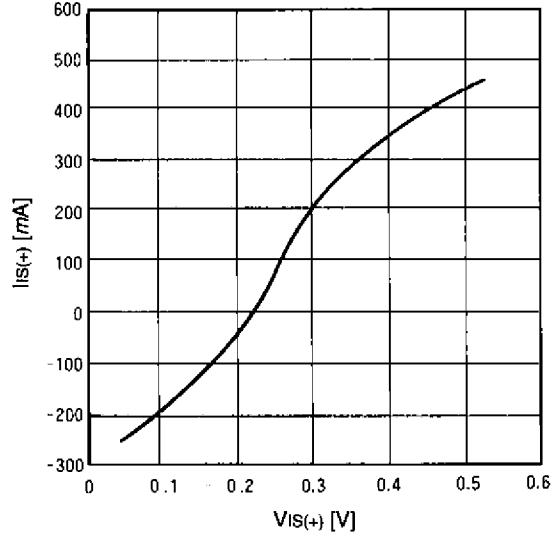
L-level output voltage (V_{OL}) vs. output sink current (I_{SINK})



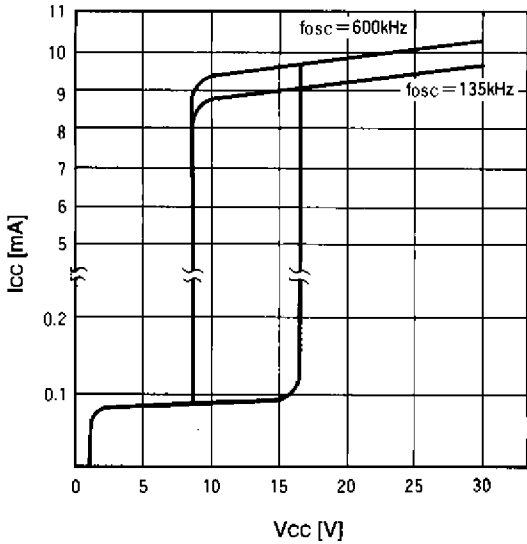
IS (+) terminal threshold voltage (V_{TH IS(+)}) vs. ambient temperature (T_a)



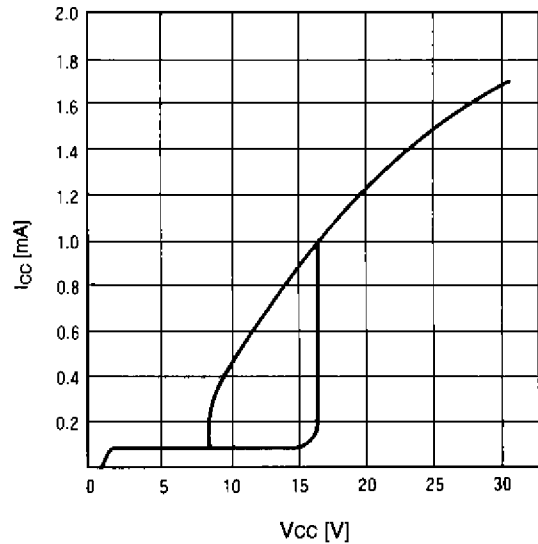
IS (+) terminal current (I_{IS(+)}) vs. IS (+) terminal voltage (V_{IS(+)})



Supply current (I_{CC}) vs. supply voltage (V_{CC}) Ordinary operation

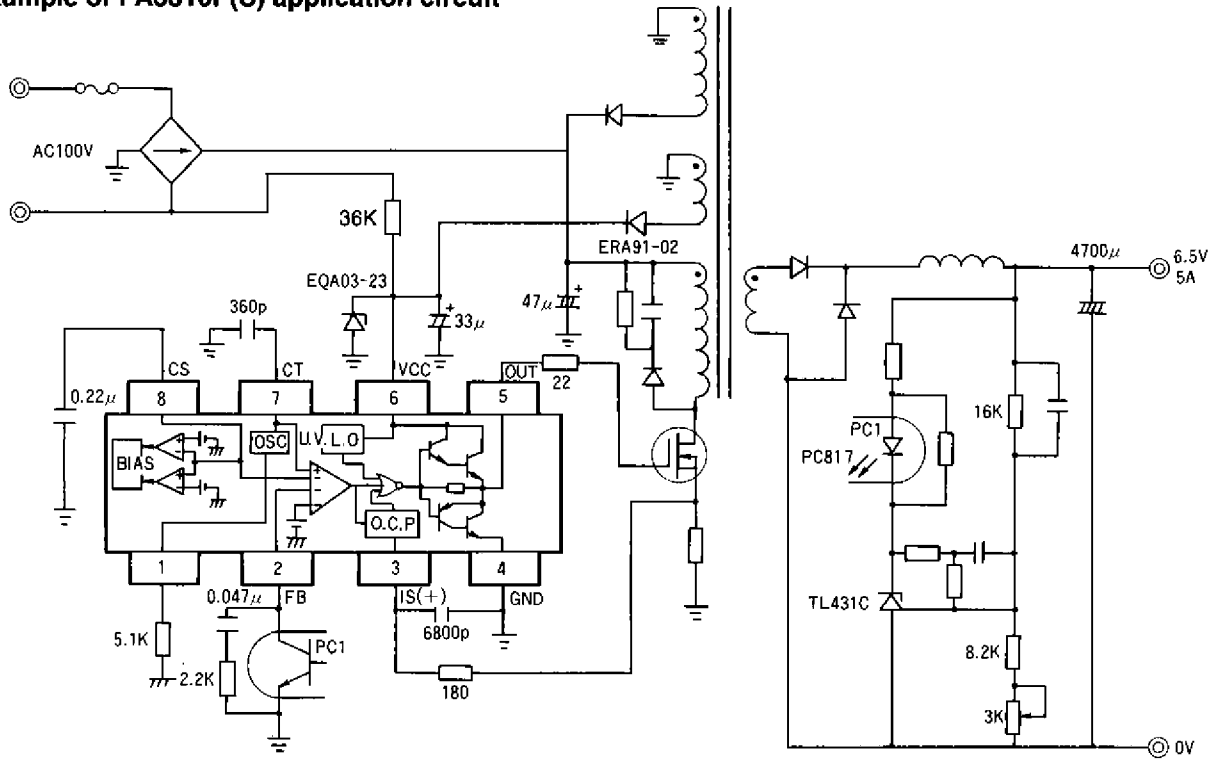


Supply current (I_{CC}) vs. supply voltage (V_{CC}) OFF or OFF latch mode

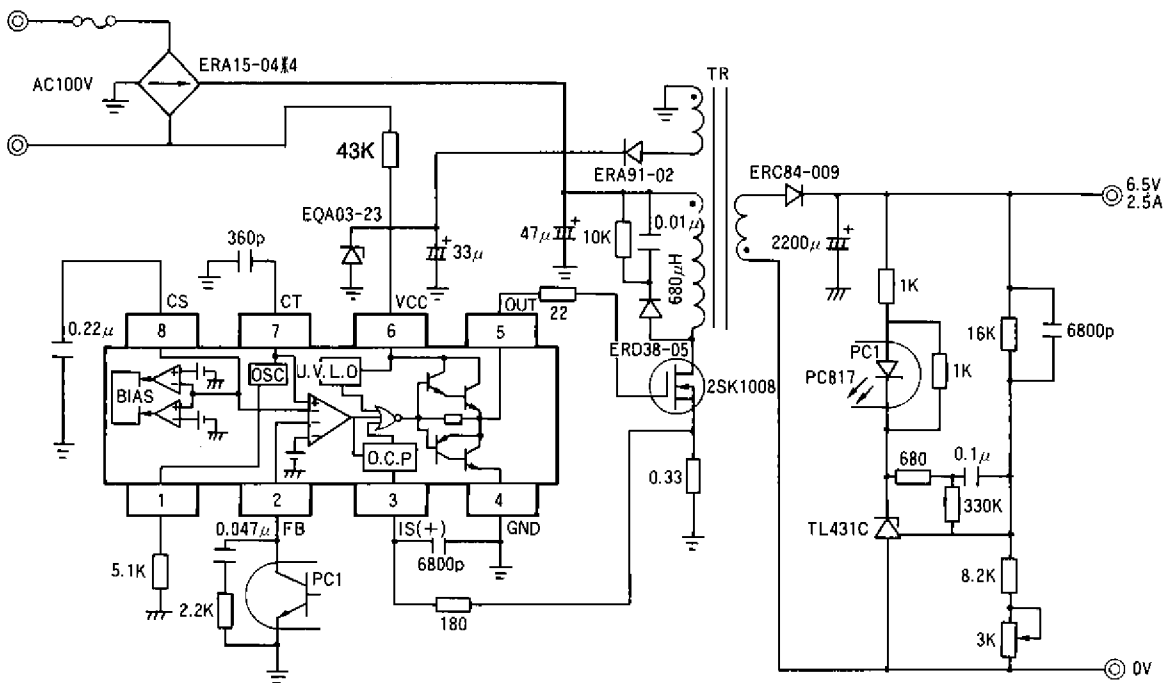


■ Application circuit

● Example of FA5310P(S) application circuit

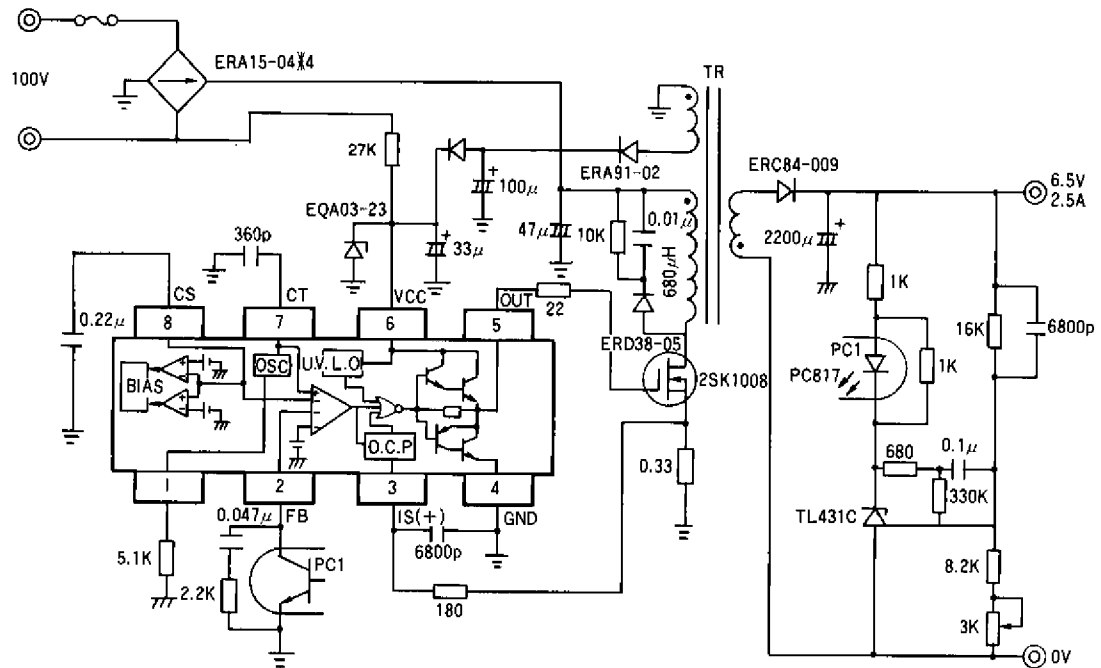


● Example of FA5310P(S) / FA5311P(S) application circuit (1)

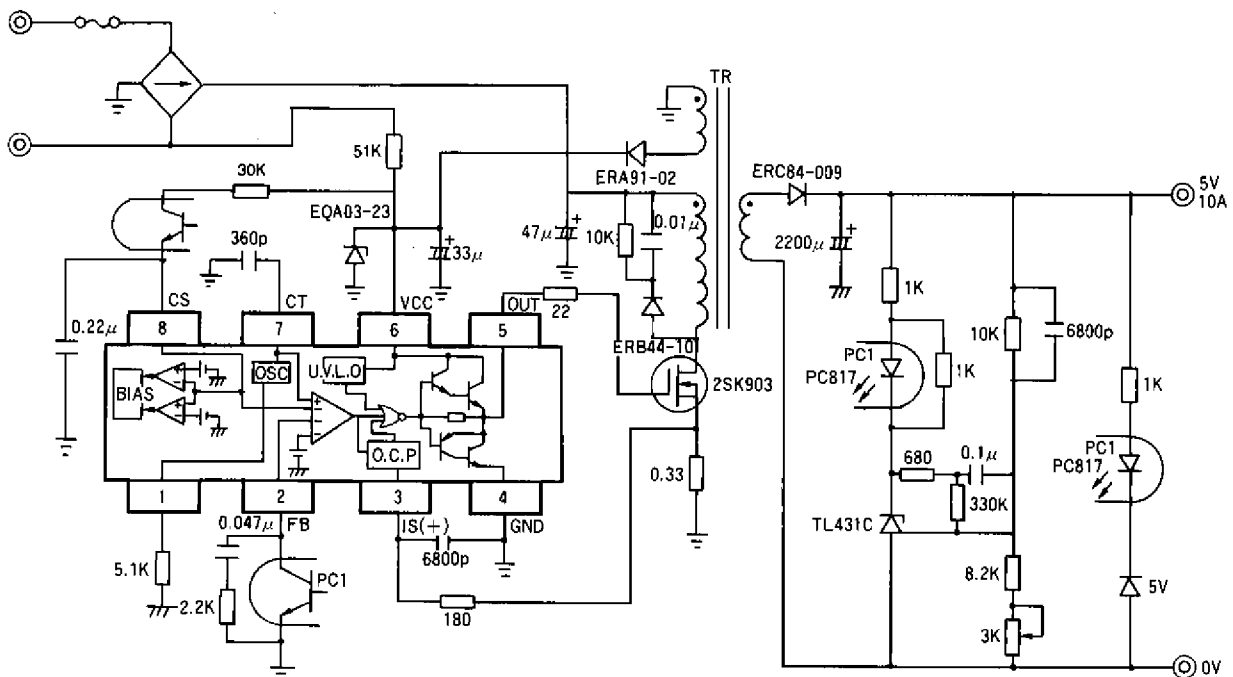


FA5310P(S)/FA5311P(S)

• Example of FA5310P(S) / FA5311P(S) application circuit (2)



• Example of FA5310P(S) / FA5311P(S) application circuit (3)



Parts tolerances characteristics are not defined in the circuit design sample shown above. When designing an actual circuit for a product, you must determine parts tolerances and characteristics for safe and economical operation.

CAUTION

1. This Data Book contains the product specifications, characteristics, data, materials, and structures as of July 1995. The contents are subject to change without notice for specification changes or other reasons. When using a product listed in this Data Book, be sure to obtain the latest specifications.
2. All applications described in this Data Book exemplify the use of Fuji's products for your reference only. No right or license, either express or implied, under any patent, copyright, trade secret or other intellectual property right owned by Fuji Electric Co., Ltd. is (or shall be deemed) granted. Fuji makes no representation or warranty, whether express or implied, relating to the infringement or alleged infringement of other's intellectual property rights which may arise from the use of the applications described herein.
3. Although Fuji Electric is enhancing product quality and reliability, a small percentage of semiconductor products may become faulty. When using Fuji Electric semiconductor products in your equipment, you are requested to take adequate safety measures to prevent the equipment from causing a physical injury, fire, or other problem if any of the products become faulty. It is recommended to make your design fail-safe, flame retardant, and free of malfunction.
4. The products introduced in this Data Book are intended for use in the following electronic and electrical equipment which has normal reliability requirements.
 - Computers • OA equipment • Communications equipment (terminal devices) • Measurement equipment
 - Machine tools • Audiovisual equipment • Electrical home appliances • Personal equipment • Industrial robots etc.
5. If you need to use a product in this Data Book for equipment requiring higher reliability than normal, such as for the equipment listed below, it is imperative to contact Fuji Electric to obtain prior approval. When using these products for such equipment, take adequate measures such as a backup system to prevent the equipment from malfunctioning even if a Fuji's product incorporated in the equipment becomes faulty.
 - Transportation equipment (mounted on cars and ships) • Trunk communications equipment
 - Traffic-signal control equipment • Gas leakage detectors with an auto-shut-off feature
 - Emergency equipment for responding to disasters and anti-burglary devices • Safety devices
6. Do not use products in this Data Book for the equipment requiring strict reliability such as (without limitation)
 - Space equipment • Aeronautic equipment • Atomic control equipment
 - Submarine repeater equipment • Medical equipment
7. Copyright ©1995 by Fuji Electric Co., Ltd. All rights reserved.
No part of this Data Book may be reproduced in any form or by any means without the express permission of Fuji Electric.
8. If you have any question about any portion in this Data Book, ask Fuji Electric or its sales agents before using the product. Neither Fuji nor its agents shall be liable for any injury caused by any use of the products not in accordance with instructions set forth herein.